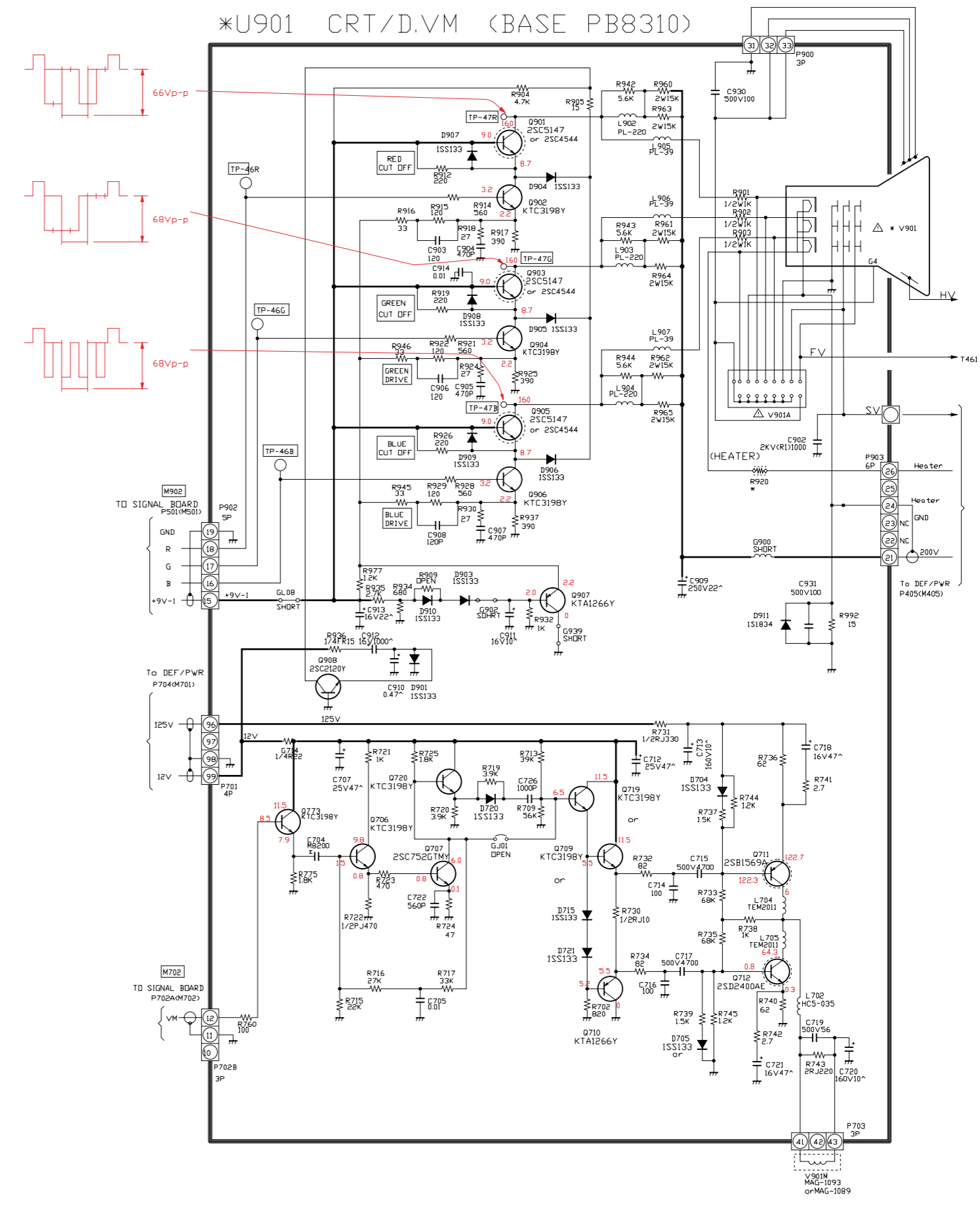
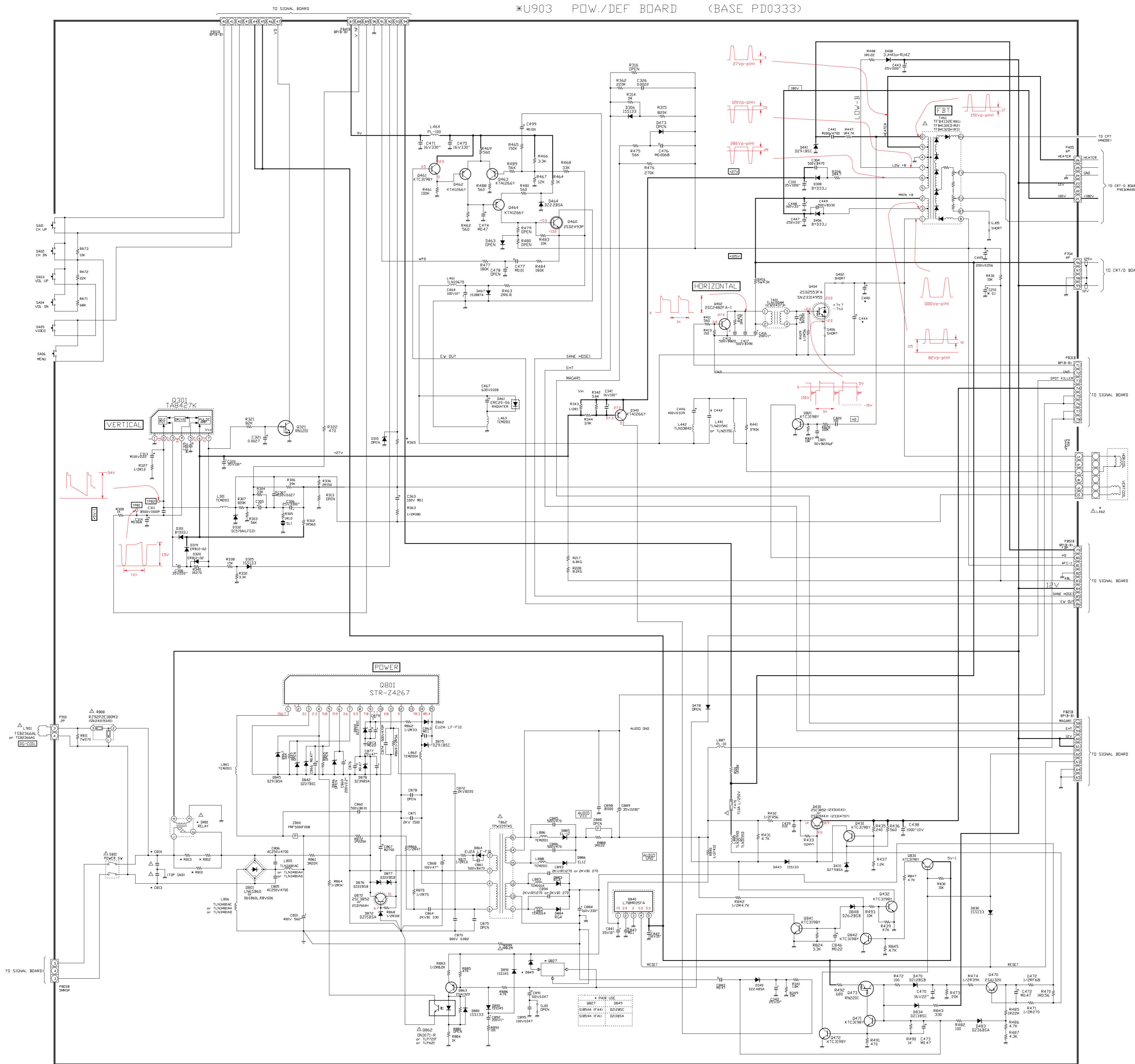


*U903 POW./DEF BOARD (BASE PD0333)

*U901 CRT/D.V.M (BASE PB8310)



(*) MARK : DIFFERENCE TABLE

LOC. NO.	POWER/DEF BOARD							
	29A3DE	29A3R	29A3E	29A3M	29A3TA	29A3SH	29A3SG	29A4MX
U903	PB0333		PB0333	PB0333	PB0333	PB0333	PB0333	PB0333
R810	OPEN	OPEN	OPEN	OPEN	OPEN	OPEN	OPEN	OPEN
R812	5W4.7	OPEN	5W4.7	5W4.7	5W4.7	5W4.7	5W4.7	5W4.7
R813	2W1.8	OPEN	2W1.8	2W1.8	2W1.8	2W1.8	2W1.8	2W1.8
R891	IC12V	OPEN	IC12V	IC12V	IC12V	IC12V	IC12V	IC12V
C813	AC250V/1000	AC250V/2200	AC250V/1000	AC250V/1000	AC250V/1000	AC250V/1000	AC250V/1000	AC250V/1000
C814	AC250V/1000	AC250V/2200	AC250V/1000	AC250V/1000	AC250V/1000	AC250V/1000	AC250V/1000	AC250V/1000
R365	1/2W6.8K	OPEN	OPEN	OPEN	1/2W6.8K	OPEN	OPEN	OPEN

LOC. NO.	CRT/D.V.M BOARD							
	PB0372	PB0372	PB0372	PB0372	PB0372	PB0372	PB0372	PB0372
V901 (R)	A68K1359X(B)	A68K1359X(B)	A68K1359X(B)	A68K1359X(B)	A68K1359X(B)	A68K1359X(B)	A68K1359X(B)	A68K1359X(B)
V901 (R)	A68K174X	A68K174X	A68K174X	A68K174X	A68K174X	A68K174X	A68K174X	A68K174X
L462 (R)	TD1629RY	TD1629RY	TD1629RY	TD1629RY	TD1629RY	TD1629RY	TD1629RY	TD1629RY
L462 (R)	TD1629KS	TD1629KS	TD1629KS	TD1629KS	TD1629KS	TD1629KS	TD1629KS	TD1629KS
C440 (R)	15KV/6800	15KV/6800	15KV/6800	15KV/6800	15KV/6800	15KV/6800	15KV/6800	15KV/6800
C440 (R)	15KV/7000	15KV/7000	15KV/7000	15KV/7000	15KV/7000	15KV/7000	15KV/7000	15KV/7000
C442 (R)	315V/0.30	315V/0.30	315V/0.30	315V/0.30	315V/0.30	315V/0.30	315V/0.30	315V/0.30
C442 (R)	315V/0.27	315V/0.27	315V/0.27	315V/0.27	315V/0.27	315V/0.27	315V/0.27	315V/0.27
C444 (R)	1800V/6200	1800V/6200	1800V/6200	1800V/6200	1800V/6200	1800V/6200	1800V/6200	1800V/6200
C444 (R)	1800V/5600	1800V/5600	1800V/5600	1800V/5600	1800V/5600	1800V/5600	1800V/5600	1800V/5600
R920 (R)	1W0.47	1W0.47	1W0.47	1W0.47	1W0.47	1W0.47	1W0.47	1W0.47
R920 (R)	2W0.24	2W0.24	2W0.24	2W0.24	2W0.24	2W0.24	2W0.24	2W0.24

POWE/DEF
29A3 SERIES (S1ES)
29A3DE 29A3TA 29A3E 29A3R
29A3M 29A3SH 29A3SG
29A4MX