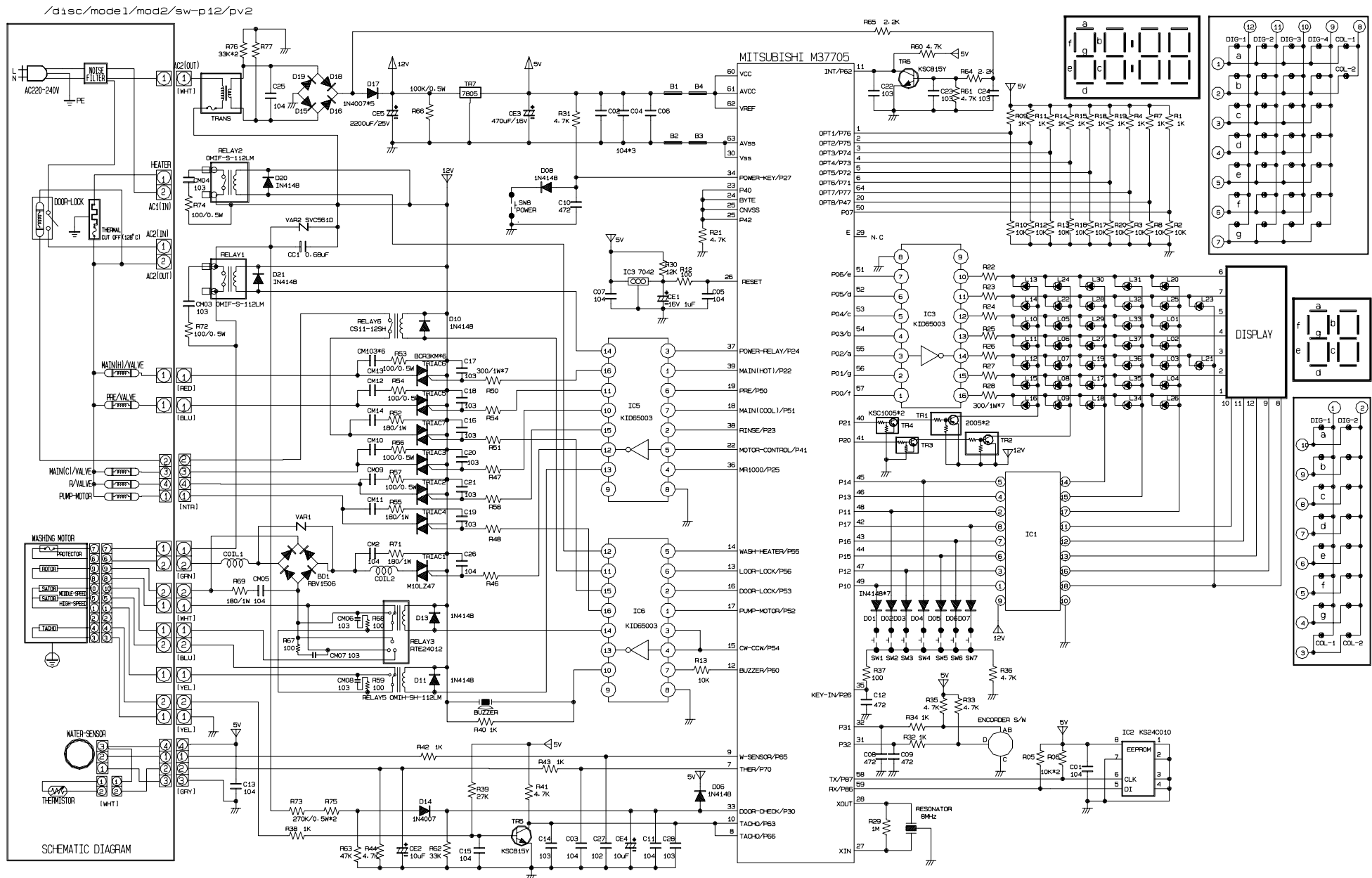


# 11-1. PCB CIRCUIT DIAGRAM



## 11-1. ASSY-PCB Part List

LOCATION NO.	CODE NO.	DESCRIPTION	SPECIFICATION	Q'TY	REMARK
WDD01	1401-001007	THYRISTOR-TRIAC	10A,800V,20uA,300V/uS,TO-220AB	1	TRIAC1
WDD01	1401-001024	THYRISTOR-TRIAC	2A,800V,20UA,300V/US,TO-220F	1	TRIAC2
WDD01	1401-001024	THYRISTOR-TRIAC	2A,800V,20UA,300V/US,TO-220F	1	TRIAC3
WDD01	1401-001024	THYRISTOR-TRIAC	2A,800V,20UA,300V/US,TO-220F	1	TRIAC4
WDD01	1401-001024	THYRISTOR-TRIAC	2A,800V,20UA,300V/US,TO-220F	1	TRIAC5
WDD01	1401-001024	THYRISTOR-TRIAC	2A,800V,20UA,300V/US,TO-220F	1	TRIAC7
WDD02	0402-001023	DIODE-BRIDGE	RBV1506,600V,15A,SIP-4	1	B/D
WDD03	3501-001180	RELAY-MINIATURE	12VDC,400mW,-,2FormC,7mS,3mS	1	RELAY3
WDD04	3501-001156	RELAY-POWER	12VDC,0.53W,16000MA,1FORMA,20MS,10MS	1	RELAY1
WDD04	3501-001156	RELAY-POWER	12VDC,0.53W,16000MA,1FORMA,20MS,10MS	1	RELAY2
WDD05	0402-000137	DIODE-RECTIFIER	1N4007,1000V,1A,DO-41,TP	1	D14
WDD05	0402-000137	DIODE-RECTIFIER	1N4007,1000V,1A,DO-41,TP	6	D15~D19
WDD06	0504-000130	TR-DIGITAL	KSR1105TF,NPN,200MW,4.7K/10K,SOT-23,TP	1	TR3
WDD06	0504-000130	TR-DIGITAL	KSR1105TF,NPN,200MW,4.7K/10K,SOT-23,TP	1	TR4
WDD06	0504-000159	TR-DIGITAL	KSR2105,PNP,200MW,4.7K/10K,SOT-23,TP	1	TR1
WDD06	0504-000159	TR-DIGITAL	KSR2105,PNP,200MW,4.7K/10K,SOT-23,TP	1	TR2
WDD07	DE13-20016A	IC-VOLT REGU	KA7805A,TO-220AB,1A,0/125C,-,-	1	TR7
WDD08	0501-000465	TR-SMALL SIGNAL	MMBT3904,NPN,350mW,SOT-23,TP,100-300	2	TR5,TR6
WDD09	1202-000141	IC-VOLTAGE COMP.	7033,SOT-89,3P,-,SINGLE,0V,-,P	1	IC4
WDD10	2802-000188	RESONATOR-CERAMIC	8MHz,0.5%,TP,10.0x5.0x8.0mm	1	RESO
WDD11	DE13-20017A	IC-DRIVE	KID65003AP,DIP,16P,STICK,TR-AR	3	IC3,IC5,IC6
WDD12	1103-001203	IC-EEPROM	524C20D21,128x8Bit,DIP,8P,300MIL,-,2.5V,-,PL	1	IC2
WDD13	DE30-20016A	BUZZER	CBE2220BA,STICK,-,-,-,-,-,-,-	1	BZ
WDD14	3404-000282	SWITCH-TACT	12Vdc,50mA,120gf,6x6x5mm,SPST	1	SW2
WDD14	3404-000282	SWITCH-TACT	12Vdc,50mA,120gf,6x6x5mm,SPST	1	SW3
WDD14	3404-000282	SWITCH-TACT	12Vdc,50mA,120gf,6x6x5mm,SPST	1	SW4
WDD14	3404-000282	SWITCH-TACT	12Vdc,50mA,120gf,6x6x5mm,SPST	1	SW5
WDD14	3404-000282	SWITCH-TACT	12Vdc,50mA,120gf,6x6x5mm,SPST	1	SW7
WDD14	3404-000282	SWITCH-TACT	12Vdc,50mA,120gf,6x6x5mm,SPST	1	SW8
WDD15	DE07-20040A	LED LAMP	SLH-34VC70F,RED,T,PI5,-,-,-,-	1	L10
WDD15	DE07-20040A	LED LAMP	SLH-34VC70F,RED,T,PI5,-,-,-,-	1	L11
WDD15	DE07-20040A	LED LAMP	SLH-34VC70F,RED,T,PI5,-,-,-,-	1	L14
WDD15	DE07-20040A	LED LAMP	SLH-34VC70F,RED,T,PI5,-,-,-,-	1	L15
WDD15	DE07-20040A	LED LAMP	SLH-34VC70F,RED,T,PI5,-,-,-,-	1	L21
WDD15	DE07-20040A	LED LAMP	SLH-34VC70F,RED,T,PI5,-,-,-,-	1	L22
WDD15	DE07-20040A	LED LAMP	SLH-34VC70F,RED,T,PI5,-,-,-,-	1	L23
WDD15	DE07-20040A	LED LAMP	SLH-34VC70F,RED,T,PI5,-,-,-,-	1	L24
WDD15	DE07-20040A	LED LAMP	SLH-34VC70F,RED,T,PI5,-,-,-,-	1	L25
WDD15	DE07-20040A	LED LAMP	SLH-34VC70F,RED,T,PI5,-,-,-,-	1	L29
WDD15	DE07-20040A	LED LAMP	SLH-34VC70F,RED,T,PI5,-,-,-,-	1	L30
WDD15	DE07-20040A	LED LAMP	SLH-34VC70F,RED,T,PI5,-,-,-,-	1	L31
WDD15	DE07-20040A	LED LAMP	SLH-34VC70F,RED,T,PI5,-,-,-,-	1	L32
WDD15	DE07-20040A	LED LAMP	SLH-34VC70F,RED,T,PI5,-,-,-,-	1	L33
WDD15	DE07-20040A	LED LAMP	SLH-34VC70F,RED,T,PI5,-,-,-,-	1	L34
WDD15	DE07-20040A	LED LAMP	SLH-34VC70F,RED,T,PI5,-,-,-,-	1	L35
WDD15	DE07-20040A	LED LAMP	SLH-34VC70F,RED,T,PI5,-,-,-,-	1	L36
WDD16	DE07-00011A	LED DISPLAY	A4232GM-0,23.7*18.7*17.2,GRN,2dig,14seg,-,-	1	DISP
WDD18	DE34-20071A	SWITCH-ROTARY	DC10V,1MA,SH,PA-1005A-003-000,	1	E/SW