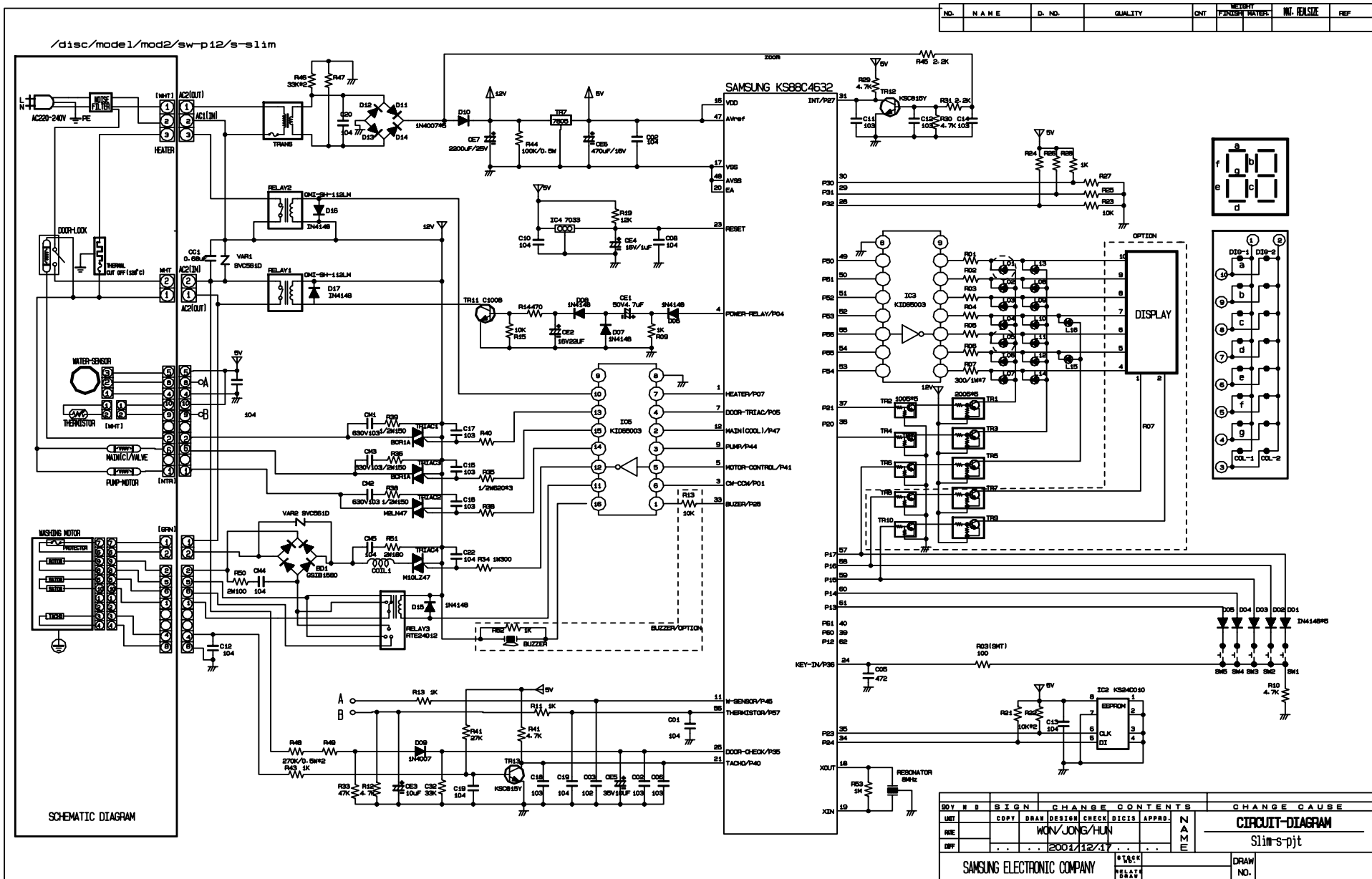


11-1. PCB CIRCUIT DIAGRAM



11-1. ASSY-PCB Part List

NO.	Part Code	Code NO	Q'ty	Description	Spersificatio	Remark
1	WB002	1401-001007	1	THYRISTOR-TRIAC	10A,SM10LZ47(TOSHIBA)	TRIAC4
2	WB002	1401-001024	5	THYRISTOR-TRIAC	2A,SM2LZ47(TOSHIBA)	TRIAC2
3	WB003	0402-001023	1	DIODE-BRIDGE	RBV1506,600V,15A,SIP-4	BD1
4	WB004	3501-001180	1	RELAY-MINIATURE	12VDC,RTE24012	RELAY3
5	WB004	3501-001156	2	RELAY-POWER	12VDC,0.53W16000MA,1FORMC	RELAY5
6	WB004	3501-001157	3	RELAY-POWER	12VDC,0.53W16000MA,1FORMC	RELAY1,2
7	WB004	3501-001007	1	RELAY	12Vdc,200mW,5A,(TAKAMISAYA)	RELAY6
8	WB010	DC26-00005B	1	TRANS-FORMER	450MA,220~240VAC,11VDC	TRANS
9	WB003	0402-000137	6	DIODE-RECTIFIER	1N4007,1000V,1A	D15~D19
10	WB006	0504-000130	2	TR-DIGITAL	KSR1105	TR3,TR4
11	WB006	DE13-20016A	1	IC-VOLTREGU	KA7805A	TR7
12	WB006	0504-000159	2	TR-DIGITAL	KSR2105	TR1,TR2
13	WB006	0504-001080	2	TR-DIGITAL	KRC246S	TR3,TR4
14	WB006	0501-000465	1	TR-SMALL	MMBT390X	TR11-13
15	WB007	1202-000141	1	IC-DRIVE	7033,SOT-89	IC4
16	WB008	2802-001058	1	RESONATOR-CERAMIC	8MHz,02%,TP,10×5×8mm	RESO
17	WB007	DE13-20017A	3	IC-DRIVE	KID65003AP,DIP,STICK	IC3,IC5,IC6
18	WB007	1103-001160	1	IC-EEPROM	4C010,128×8BIT,DIP,8P	IC2
19	WB009	DE30-20016A	1	BUZZER	CBE2220BA,STICK	BZ
20	WB010	3404-001022	7	SWITCH-TACT	15V,20mA,130°±40gf,6×6×5mm	SW1~7
21	WB011	DE07-20040A	*	LED LAMP	SLH-34VC70F,RED,T,P15	
22	WB012	0703-001056	1	LED DISPLAY	Y-GRN,4dig,7seg,46×19×24.6mm	