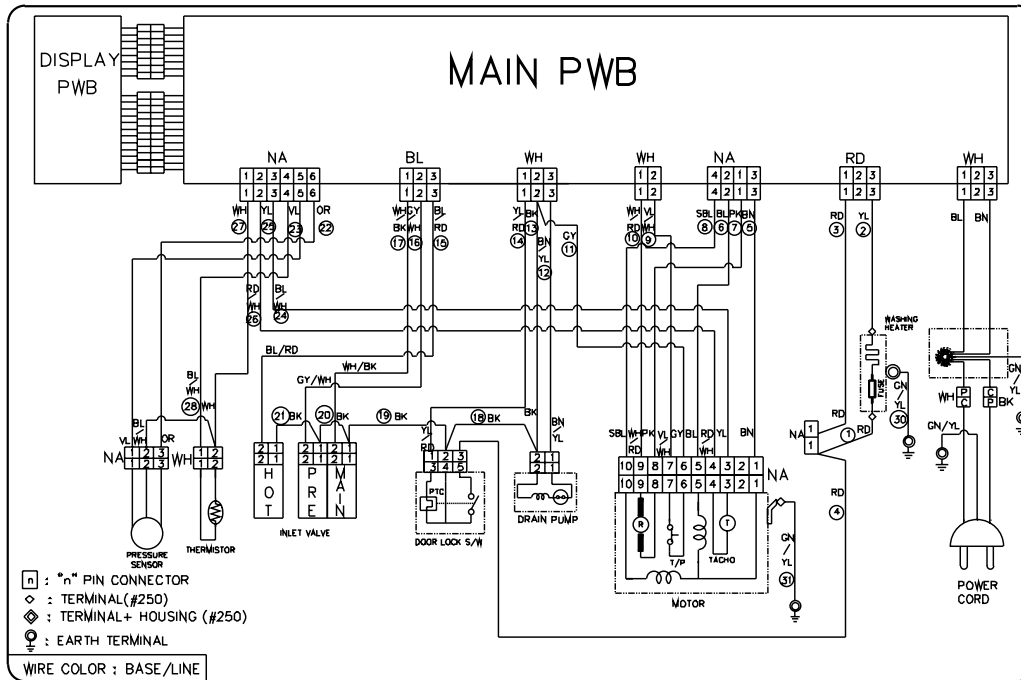


6. WIRING DIAGRAM / PROGRAM CHART



i () : WD-1018(0~9)S(N)/WD-8018(0~9)S(N) * Water Supply : W·S * Intermittent Spin : I·S * Disentangle : D·T

C Y C L E C O U R S E	Washing										Rinse								Spin		A U T O F F	Normal Working Time (Hour:Minute)									
	Pre			Main				1		2		3		4		Drain	Spin	D·T	E N D												
	W·S	Washing	Drain	W·S	Washing	Staycooling	Drain	Drain	W·S	Rinsing	Drain	W·S	Rinsing	Drain	W·S					Rinsing			Drain	W·S	Rinsing						
	1	2	3	4	5	6	7	8	9	10	11	12	13	14	15	16	17	18	19	20			21	22	23	24	25	26	27	28	29
Time (SEC)	120	MIN	60	240	120	MIN	120	60	60	60	240	120	360	60	240	120	360	60	240	120	360	60	240	120	360	60	480	120	20	20	
Cotton						42																									About 2:35(2:34)
Synthetic						87																									About 1:24
Delicate						26																									About 58
Wool						51																									About 58
Handwash						4																									About 57
Quick 30						18																									About 30
Rinse + Spin						4																									About 20
Drain						24																									About 1
						11																									

- * Basic Cycle
- * Optional Cycle
- * Pre-Setting Time : Water Supply - 120 sec.
Drain - 60 sec.
- * ~ Time for varies as the temperature or the amount of laundry
- * Basic time is minute in washing chart
- * The actual program time can be varied with the load amount, water temperature or ambient temperature

- * Pre Wash : If the laundry is heavily soiled, "Pre Wash" course is effective. Pre Wash is available in Cotton and Synthetic Program.
- * Eco : By selecting Eco function, the water temperature is reduced and washing time is lengthened. So you can economize in your consumption of energy.
- * Rinse+ : If you wish to rinse more, the Rinse+ function will remove any trace of detergents.
- * Bio : If you want to eliminate protein stains (milk, blood, chocolate...), you may select Bio function by pressing the option button.
- * Quick 30 : By selecting this function, you may wash a small quantity of colored laundry which is lightly soiled fast.
- * You can select Bio function and Eco function when temperature is higher than 60°C in Cotton and Synthetic. If the function is selected, the beginning water temperature can not be changed.