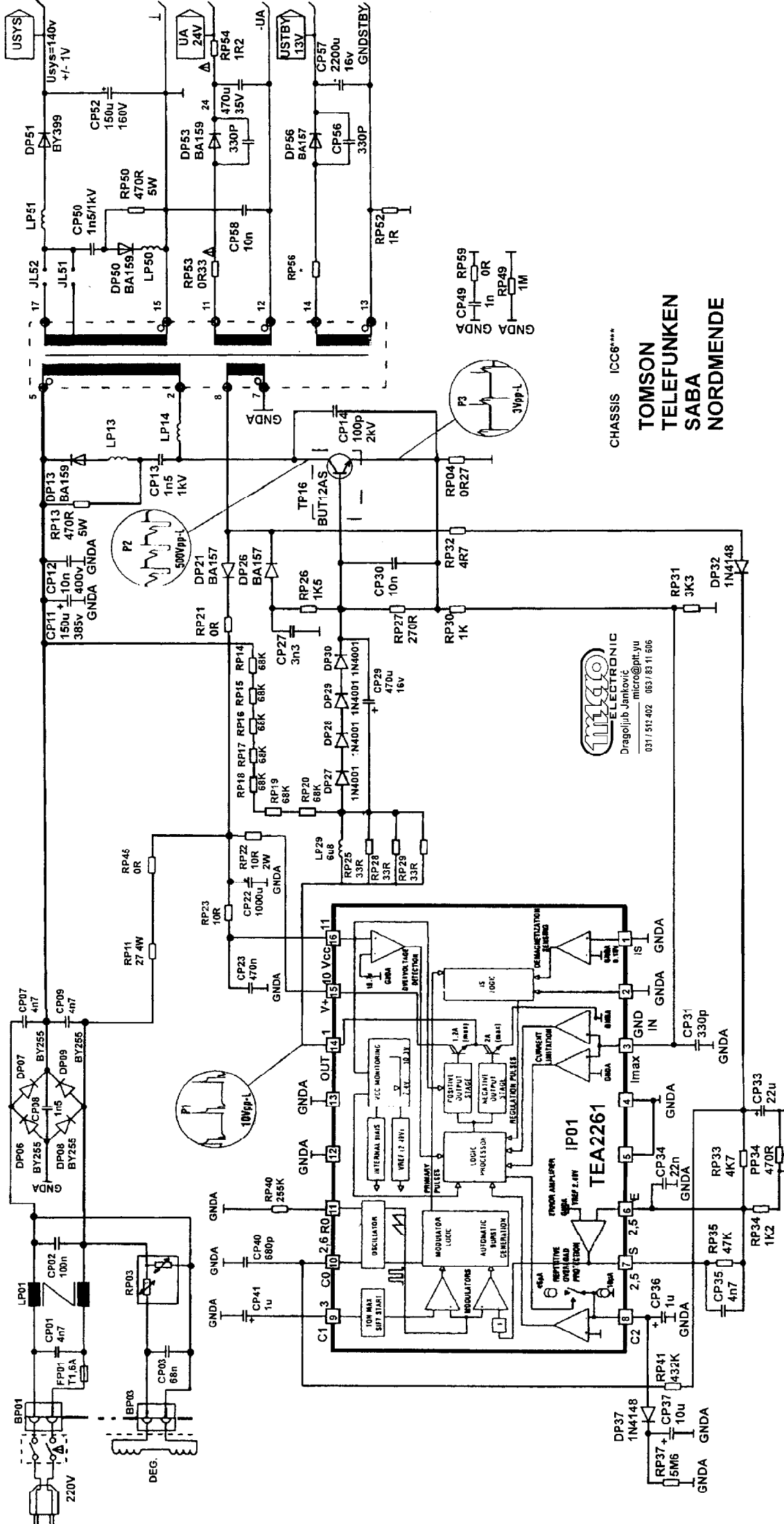
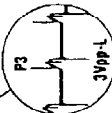
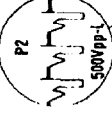
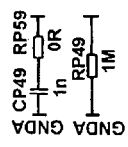


CHASSIS ICC6***

**TOMSON
TELEFUNKEN
SABA
NORDMENDE**



This document was created with Win2PDF available at <http://www.daneprairie.com>.
The unregistered version of Win2PDF is for evaluation or non-commercial use only.