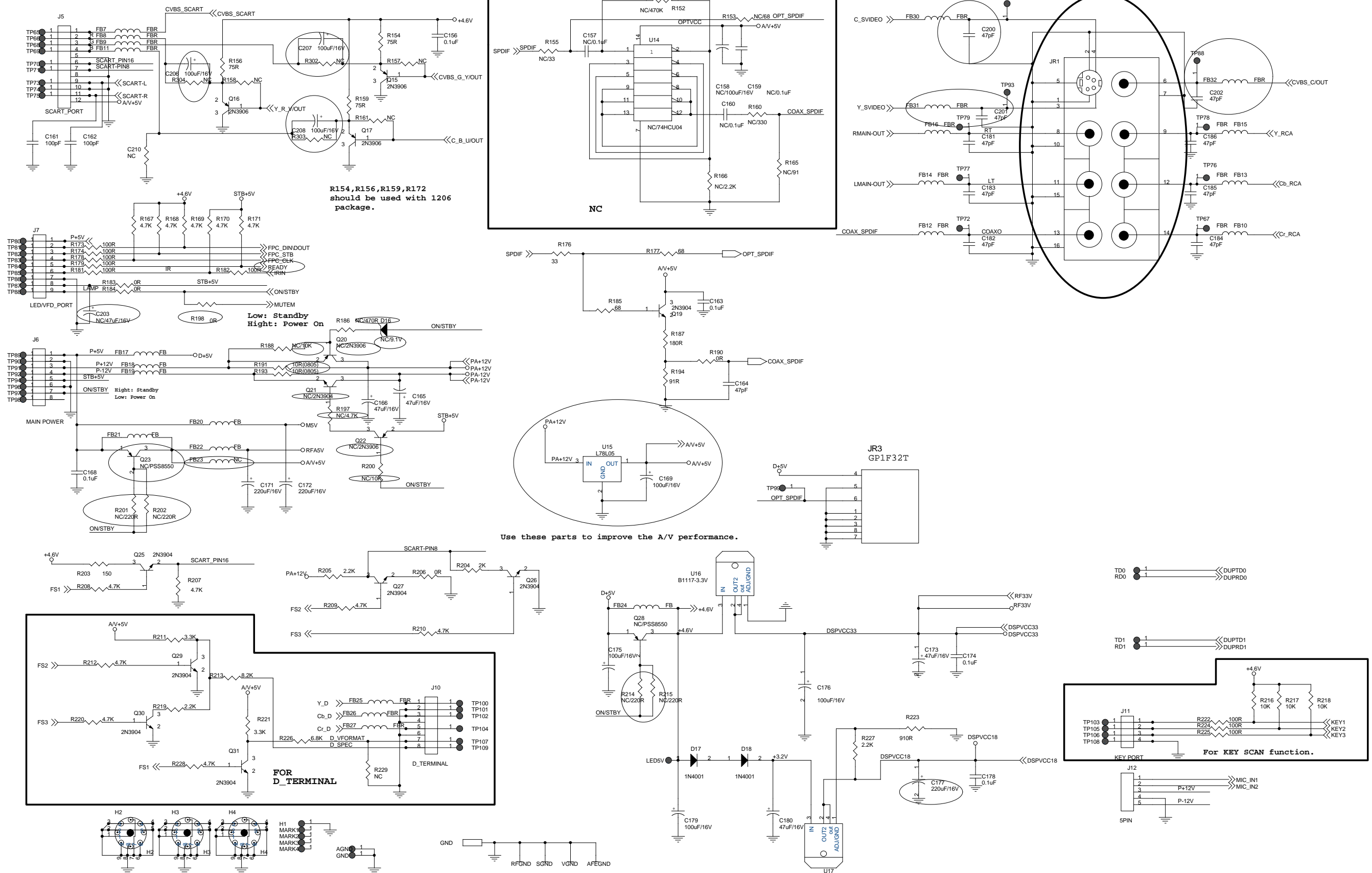


Power & AV Output Circuit Diagram



R154, R156, R159, R172 should be used with 1206 package.

Use these parts to improve the A/V performance.

- 1) The relay signal from Fp is Low when standby, while Power on is high.
- 2) The ready signal to Fp should be High when Power on, while Low in standby mode.