

B: MAIN- PIP-IF, AUDIO-MODULE, PART

2) LNA--PART

POWER BOARD

A-1, 4, PART(MICOM AV-S/W)

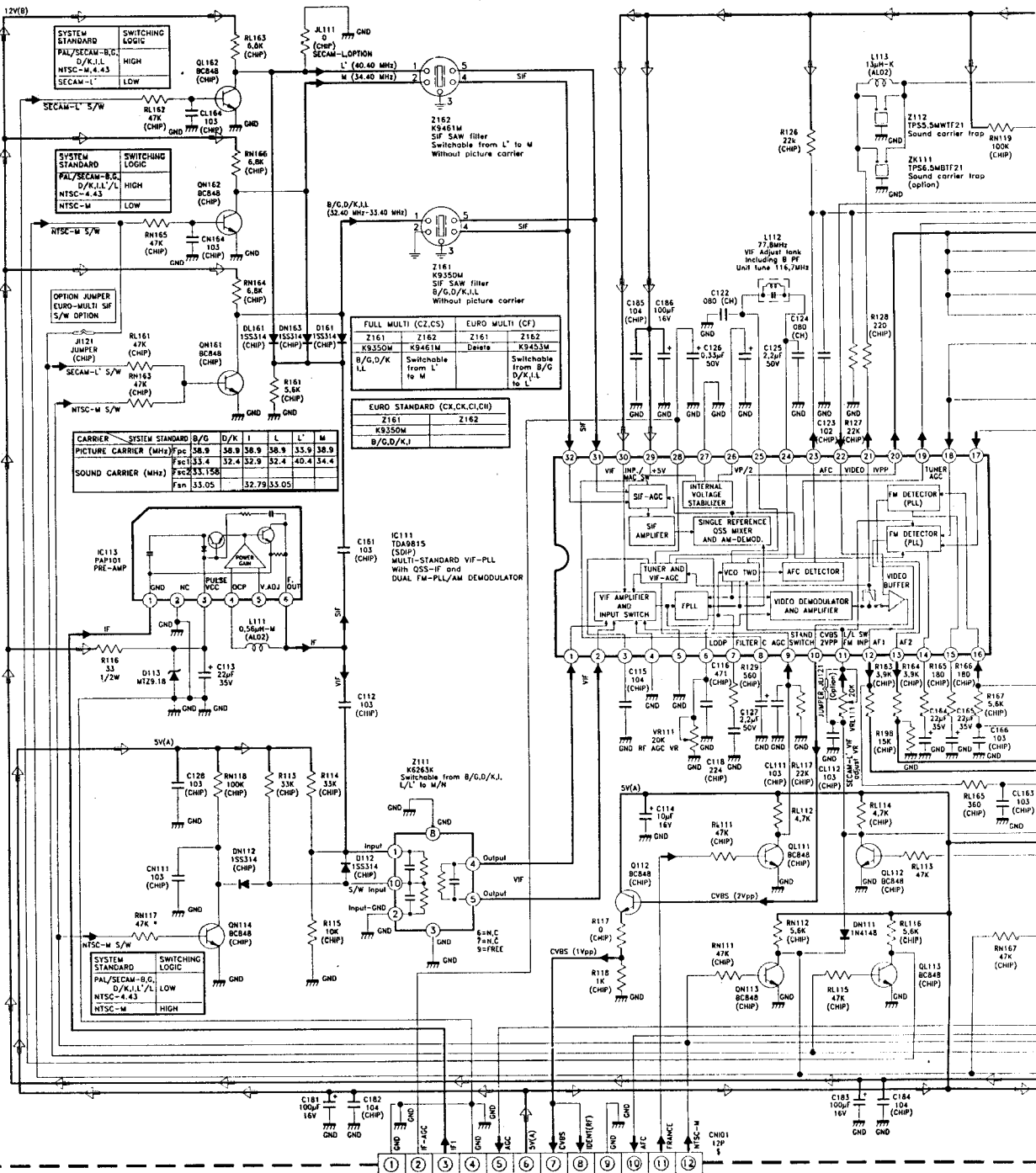
A-2PART(B+W)

A(MICOM PART)

4) PIP--PART

3) AUDIO--PART

1) MAIN-IF--PART



SYSTEM STANDARD	SWITCHING LOGIC
PAL/SECAM-B,C	HIGH
D/K,L/L	
NTSC-M,4,4,3	LOW
SECAM-L	

SYSTEM STANDARD	SWITCHING LOGIC
PAL/SECAM-B,C	HIGH
D/K,L/L	
NTSC-M,4,4,3	LOW
SECAM-L	

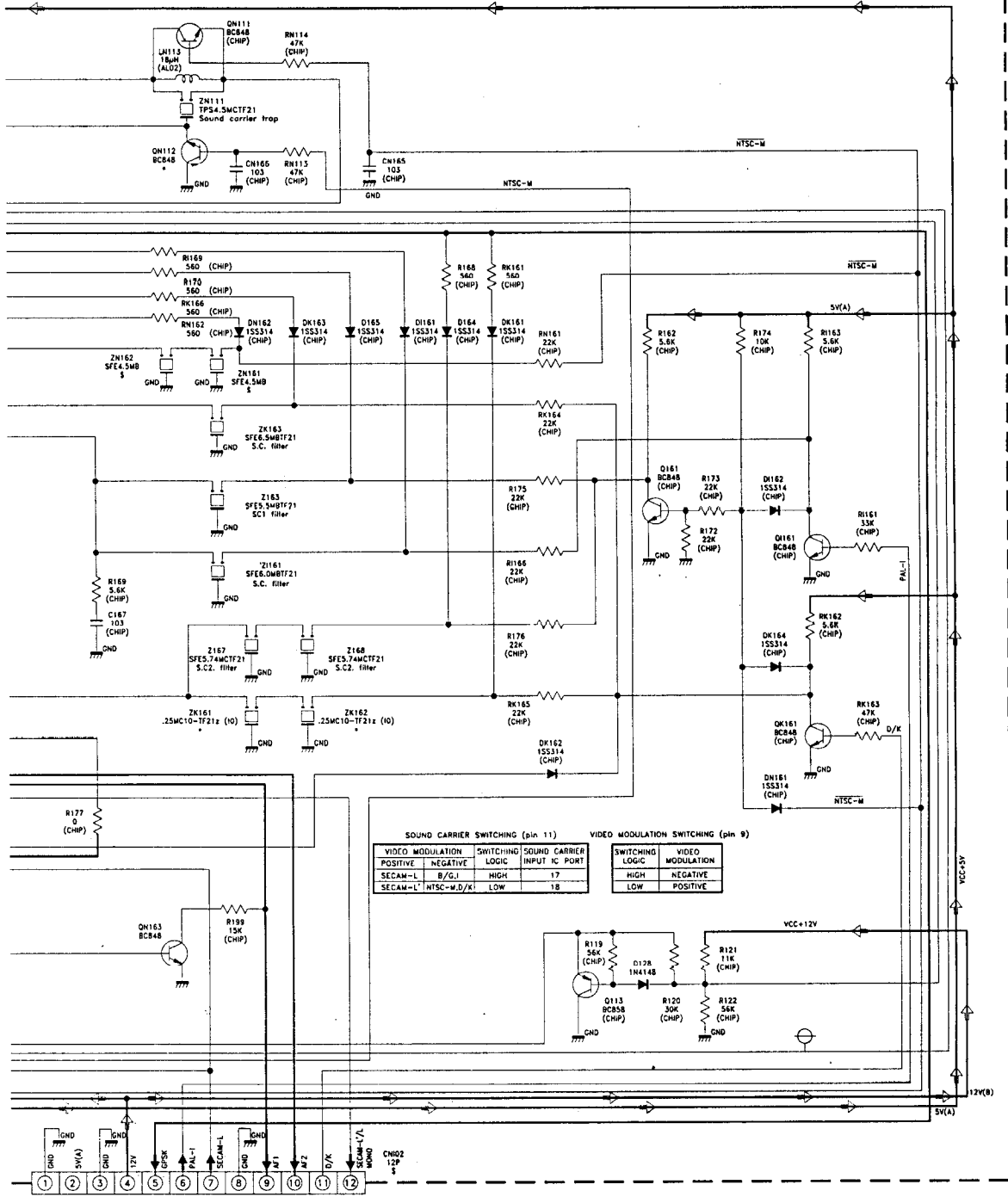
SYSTEM STANDARD	SWITCHING LOGIC
PAL/SECAM-B,C	HIGH
D/K,L/L	
NTSC-M,4,4,3	LOW
SECAM-L	

CARRIER	SYSTEM STANDARD	B/G	D/K	I	L	L'	M
PICTURE CARRIER (MHz)	Fsc	38.9	38.9	38.9	38.9	33.9	38.9
	Fsc1	33.4	32.4	32.9	32.4	40.4	34.4
SOUND CARRIER (MHz)	Fsc2	33.156					
	Fsn	33.05	32.79	33.05			

FULL MULTI (C.I.C.S)		EURO MULTI (CF)	
Z161	Z162	Z161	Z162
K9350M	K9461M	Denare	K9453M
B/G,D/K		Switchable from L' to M	
L/L		Switchable from B/G D/K,L/L to L'	

EURO STANDARD (CX,CK,C1,CI)	
Z161	Z162
K9350M	
B/G,D/K,I	

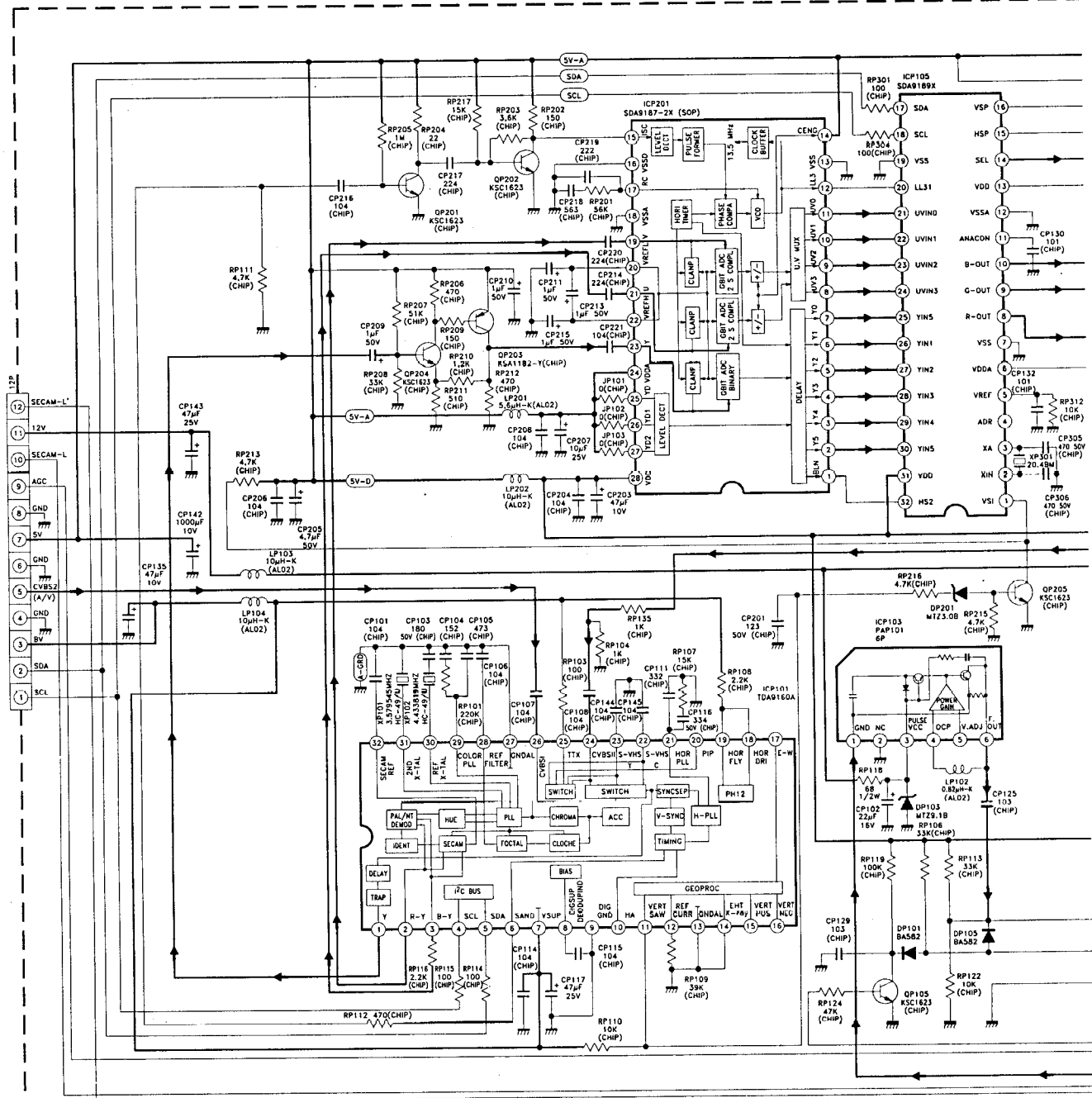
SECAM-L'(FRANCE) S/W		NTSC-M S/W	
SYSTEM STANDARD	SWITCHING LOGIC	SYSTEM STANDARD	SWITCHING LOGIC
PAL/SECAM-B,C	HIGH	PAL/SECAM-B,C	HIGH
D/K,L		D/K,L/L	
NTSC-M,4,4,3	LOW	NTSC-M,4,4,3	LOW
SECAM-L/L		NTSC-M	HIGH

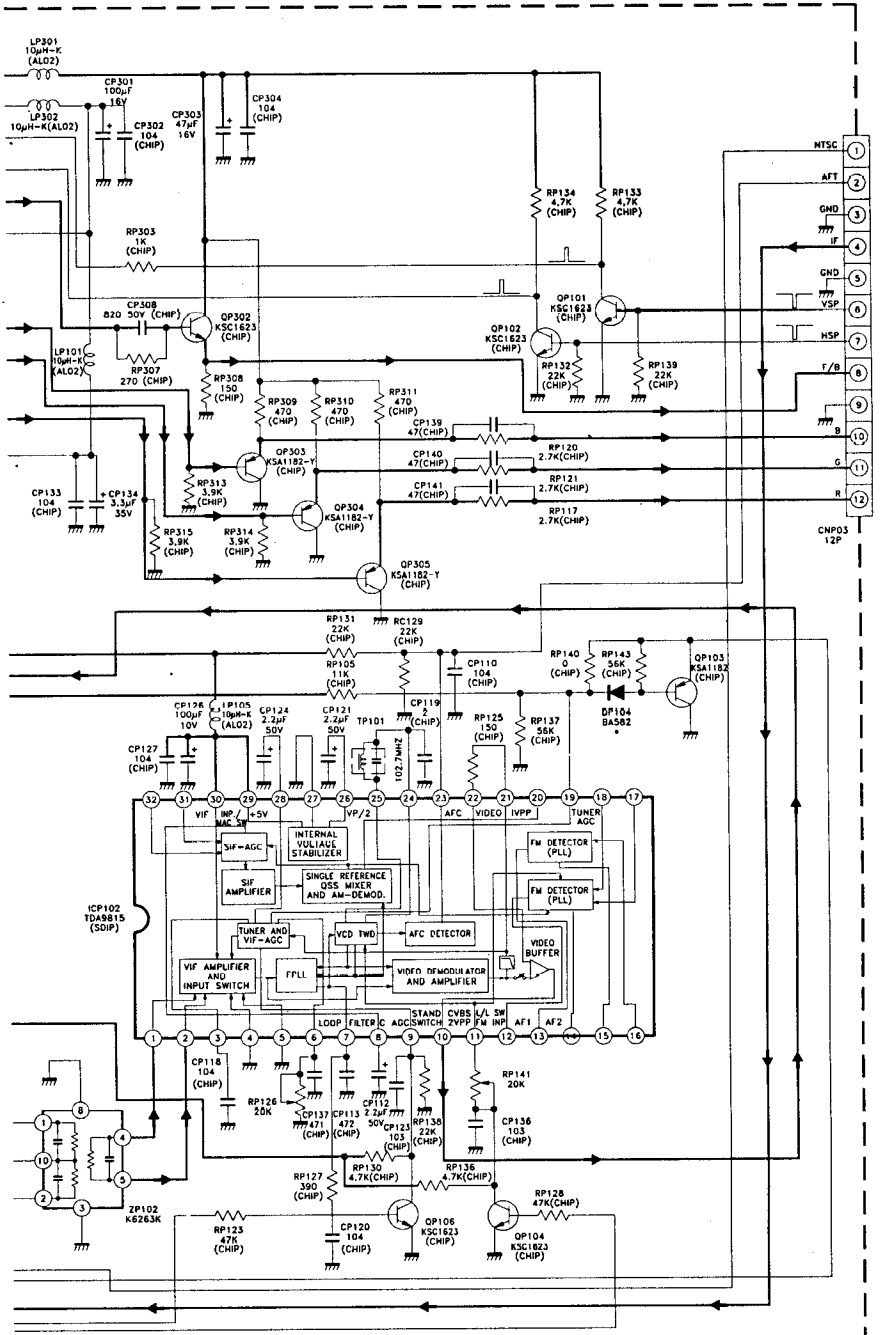


SOUND CARRIER SWITCHING (pin 11)				VIDEO MODULATION SWITCHING (pin 9)		
VIDEO MODULATION	SWITCHING LOGIC	SOUND CARRIER INPUT	IC PORT	SWITCHING LOGIC	VIDEO MODULATION	
POSITIVE	NEGATIVE	LOGIC		HIGH	NEGATIVE	17
SECAM-L	B/G,I	HIGH	17	LOW	POSITIVE	18
SECAM-L'	NTSC-W,D/K,I	LOW	18			

SWITCHING LOGIC		
SYSTEM STANDARD	D/K-SW CN102-11PIN	PAL-1 S/W CN102-6PIN
PAL/SECAM-B,G, NTSC-M,4.43 SECAM-L,L'	LOW	LOW
D/K	HIGH	LOW
PAL-1	LOW	HIGH

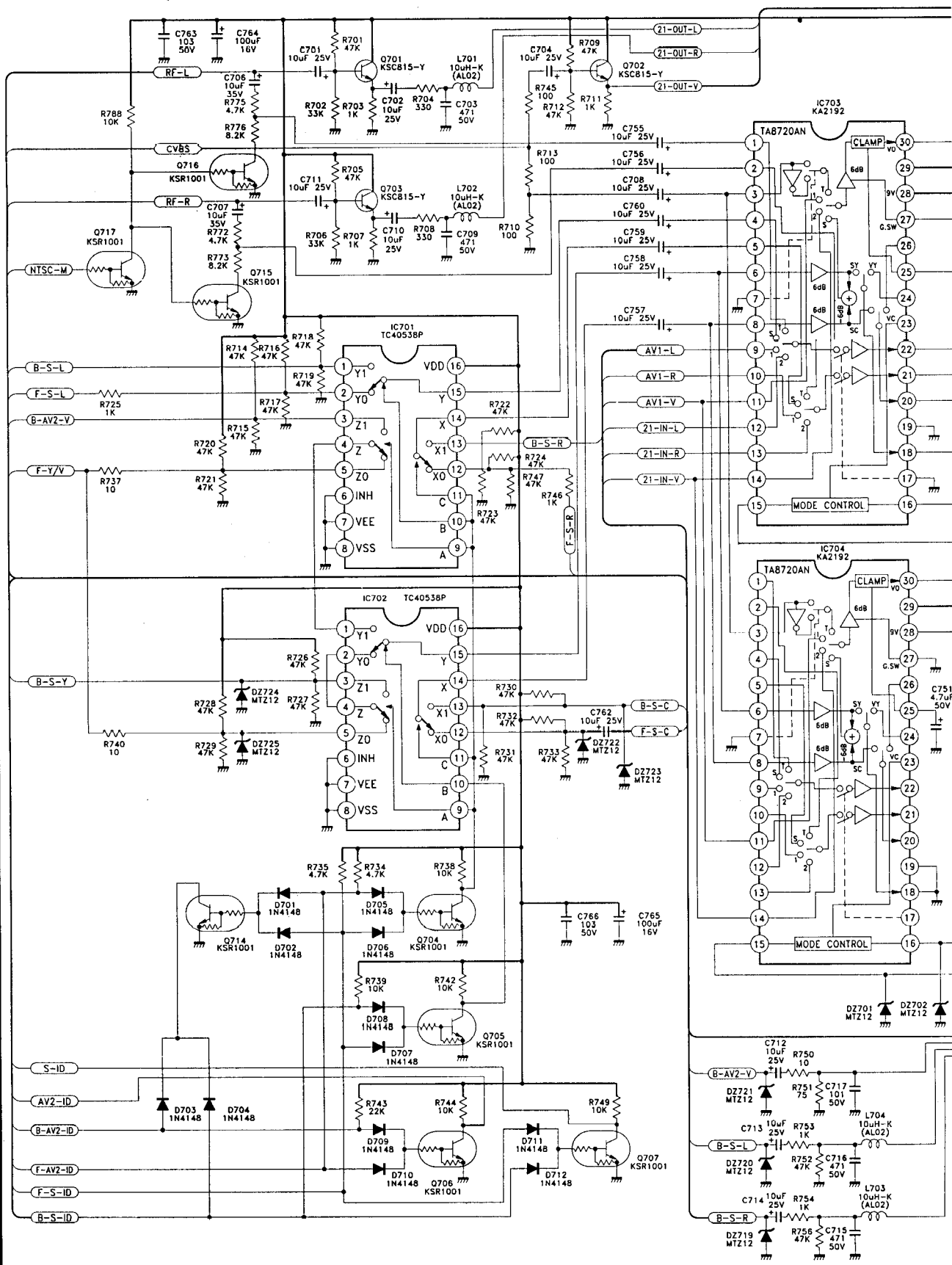
SECAM-L' S/W	
SYSTEM STANDARD	SWITCHING LOGIC
PAL/SECAM-B,G, D/K,I,L, NTSC-M,4.43 SECAM-L'	LOW
SECAM-L'	HIGH

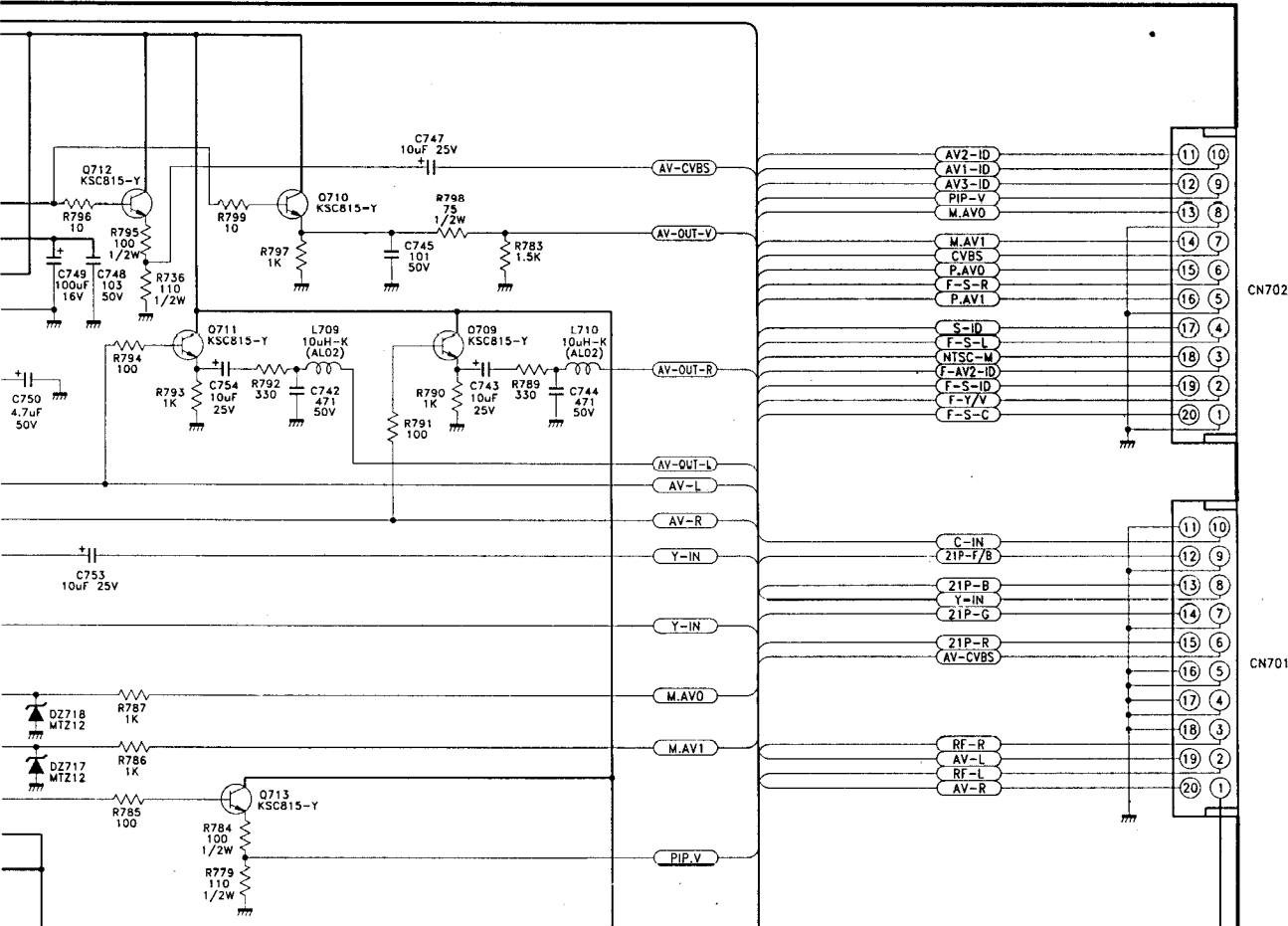




FILE NAME PIP

JOB-N	TEAM	MODE	DESIGN	OPR	EDT
	PV3	MC4	Y.M.TANG		



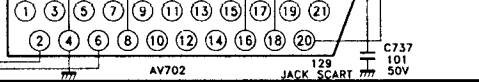
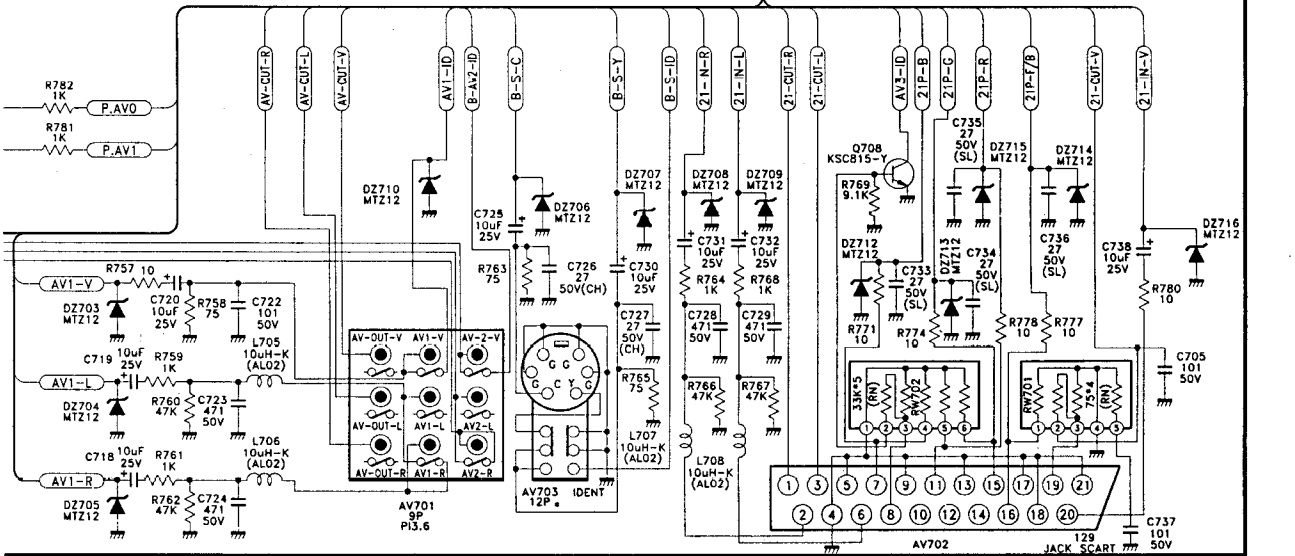


MAIN-A/V-S/W

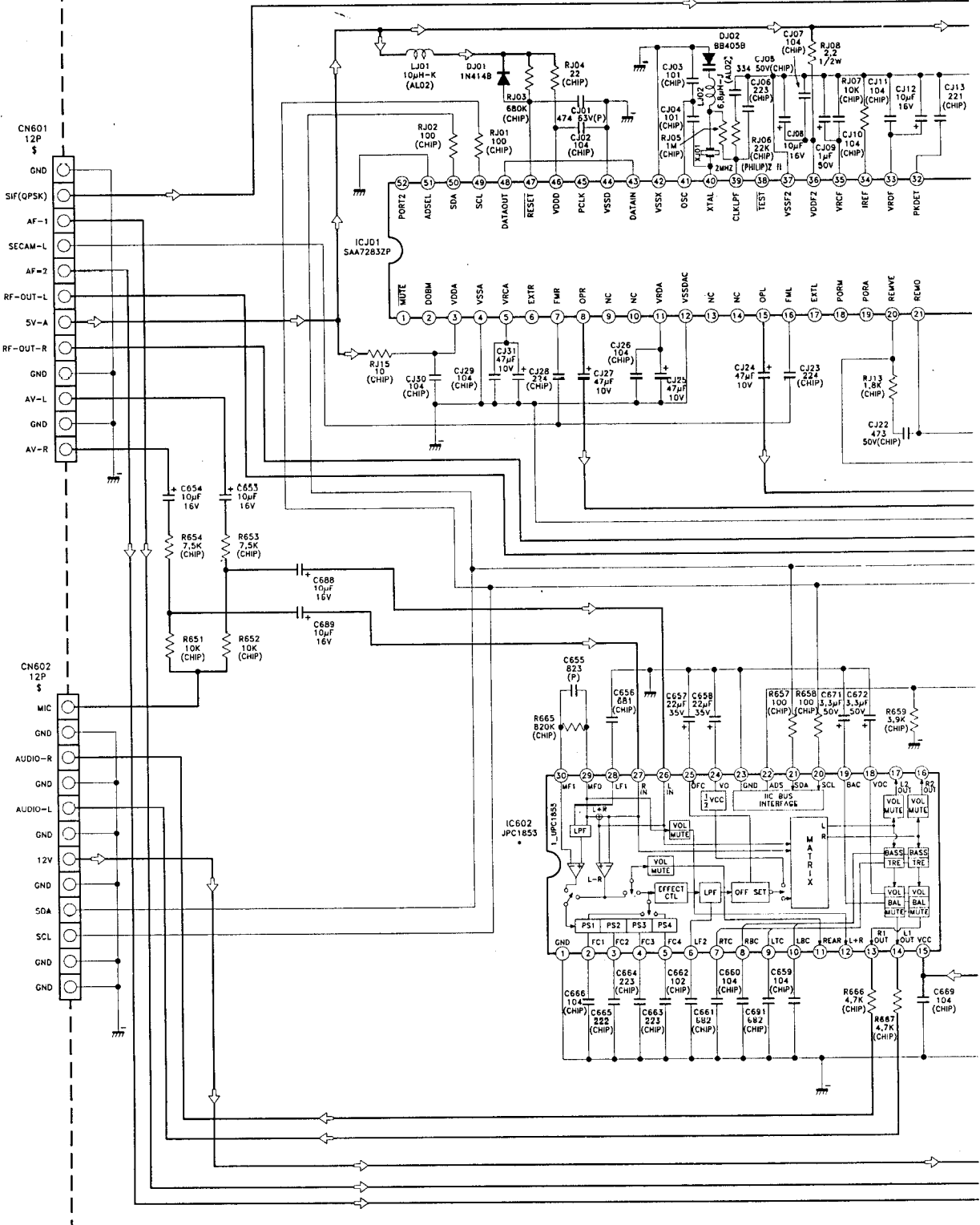
A/V-MODE	M.AVO	M.AV1
TV	H	H
AV1	H	L
S-VHS/AV2	L	H
21PIN	L	L

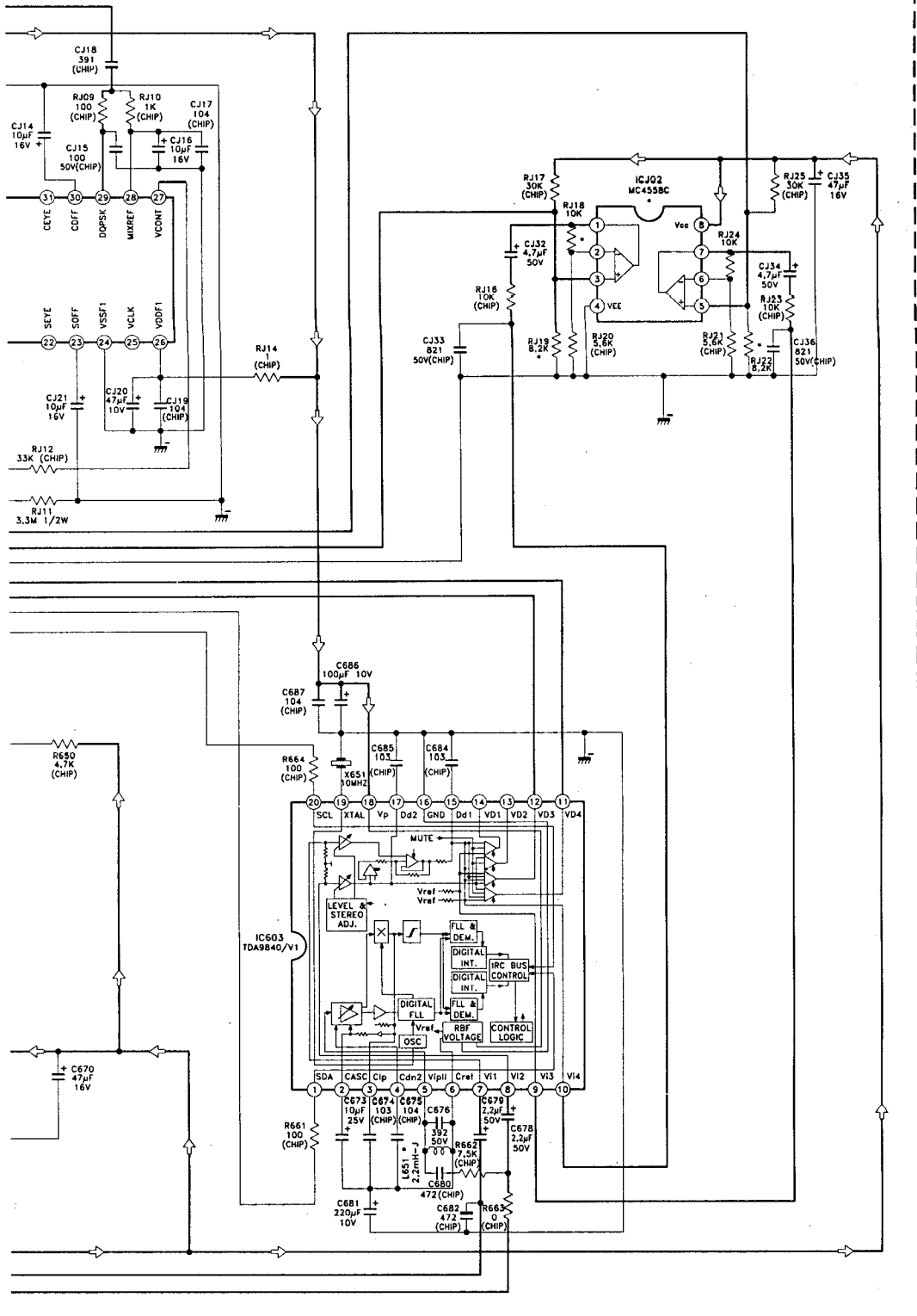
PIP-A/V-S/W-MODE

PIP-MODE	P.AVO	P.AV1
TV	H	H
AV1	H	L
S-VHS/AV2	L	H
21PIN	L	L

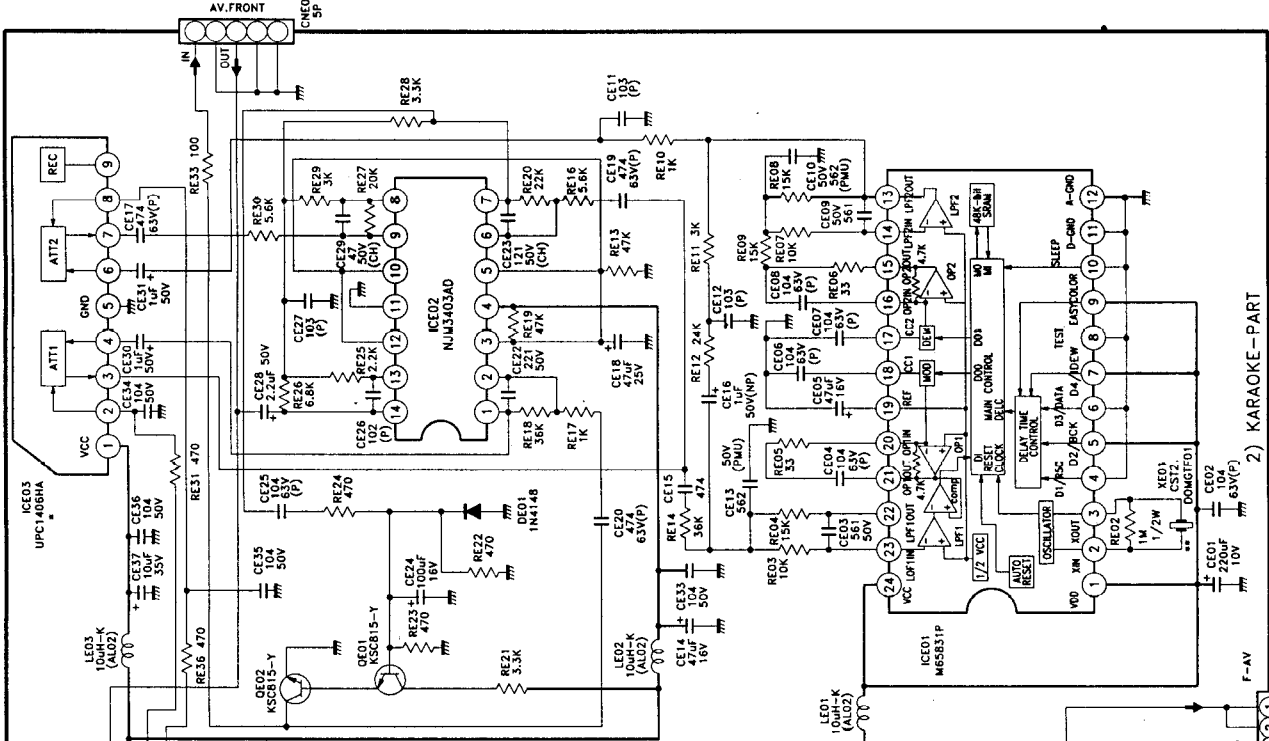


AUDIO

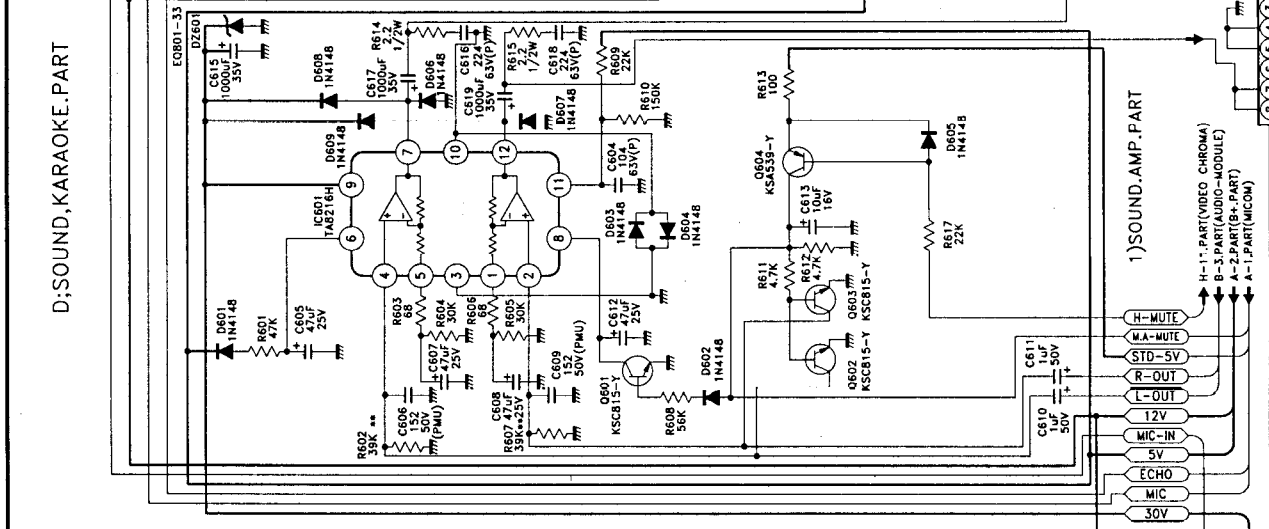




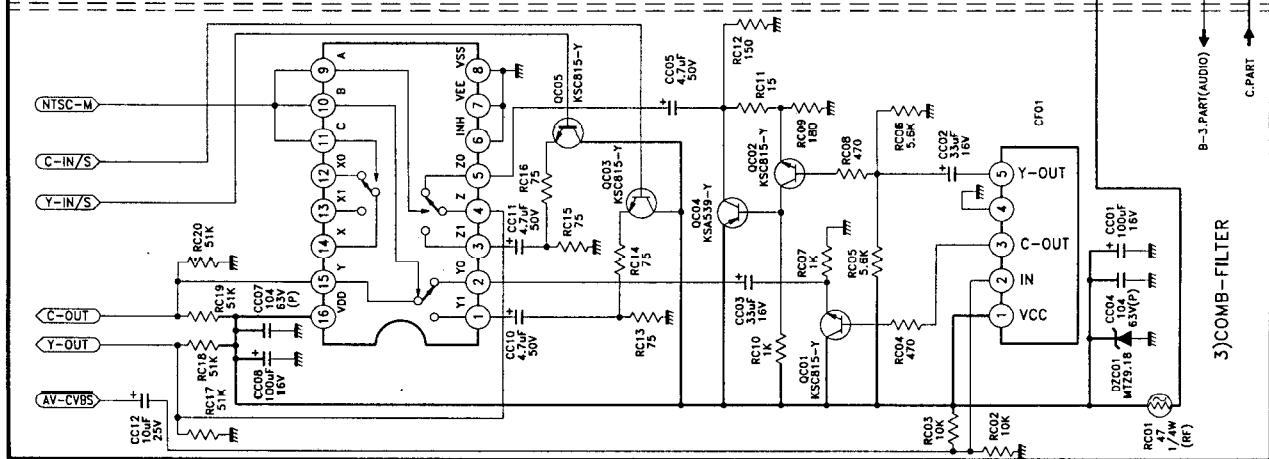
D: SOUND, KARAOKE PART



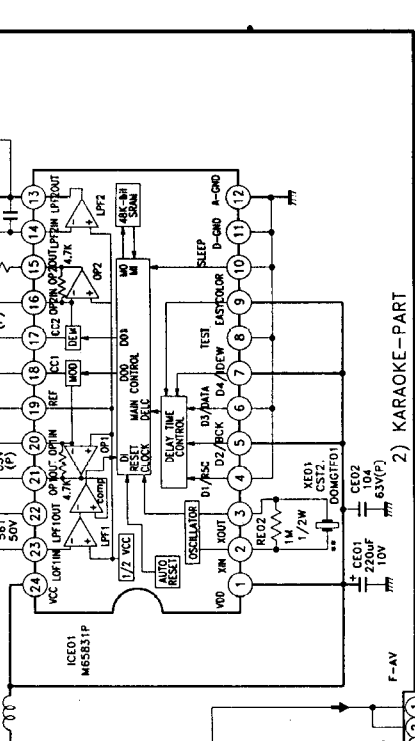
1) SOUND AMP. PART



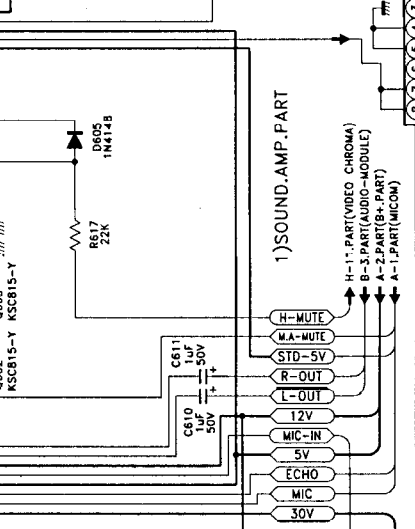
3) COMB-FILTER



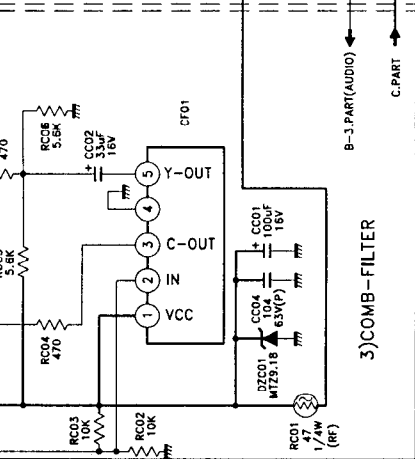
2) KARAOKE PART



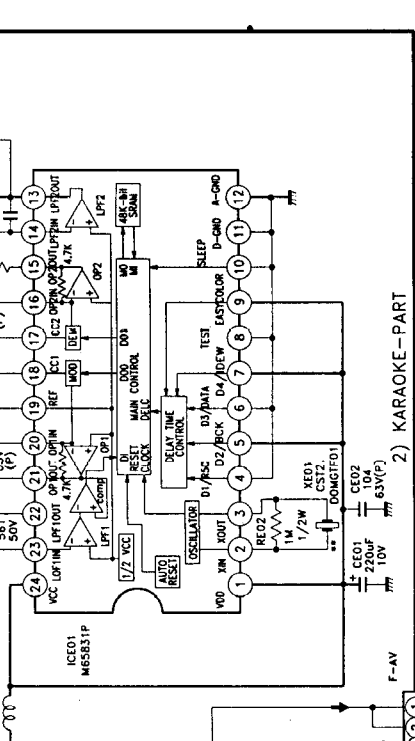
1) SOUND AMP. PART



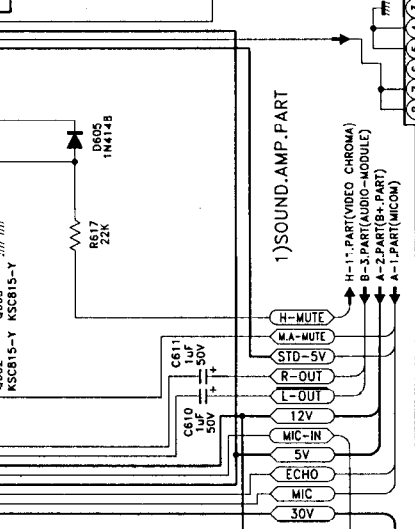
3) COMB-FILTER



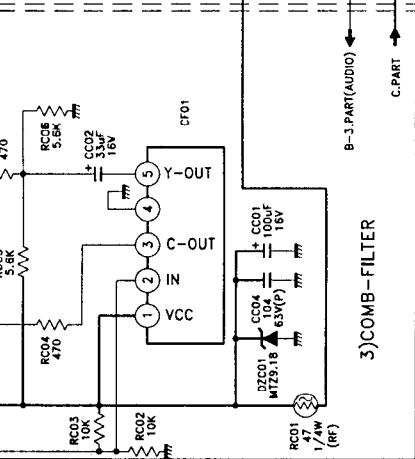
2) KARAOKE PART

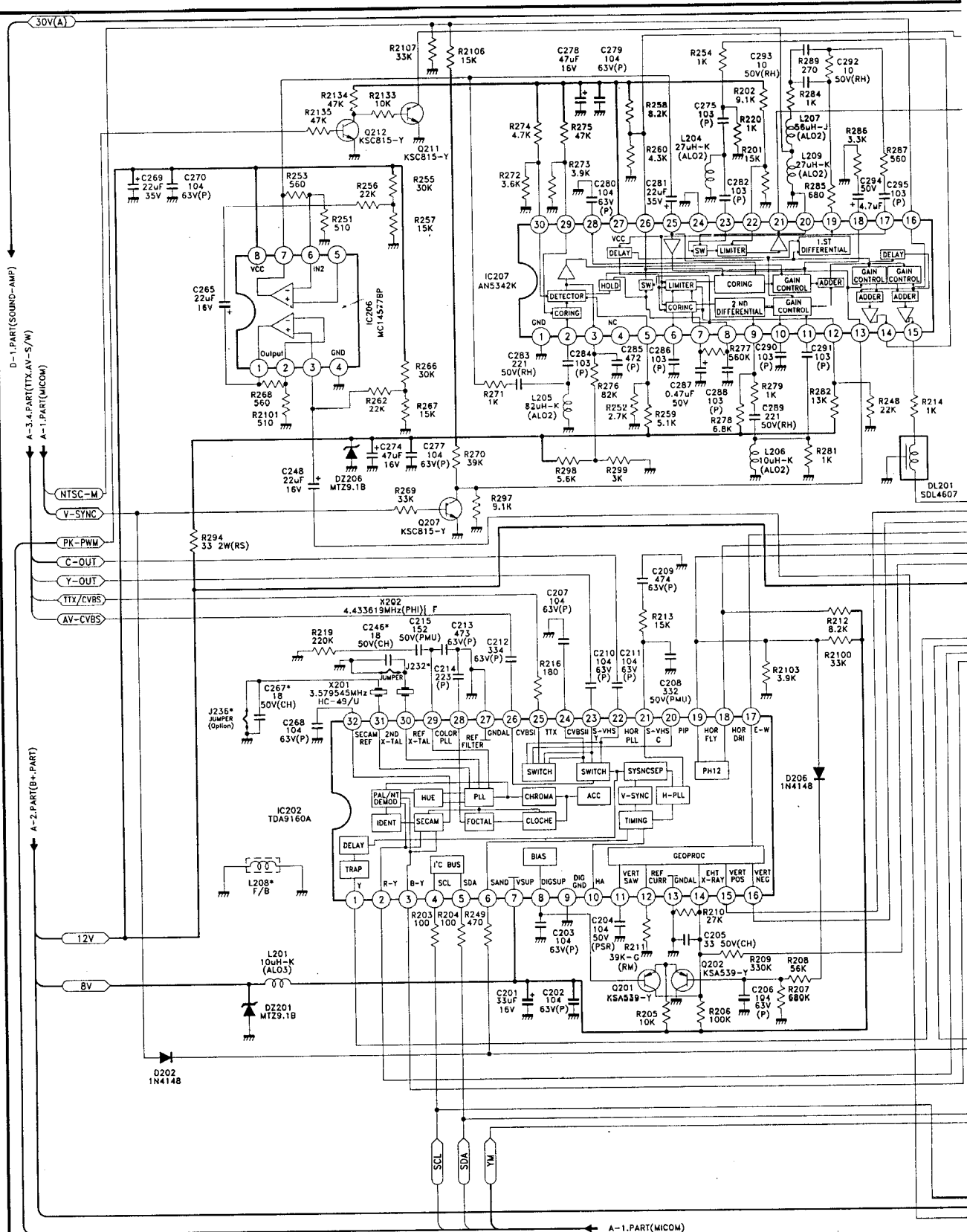


1) SOUND AMP. PART



3) COMB-FILTER





D-1.PART(SOUND-AMP)
 A-3,4.PART(TX.AV-S/W)
 A-1.PART(MICOM)

A-2.PART(B+.PART)

A-1.PART(MICOM)

30V(A)

D202
1N4148

DL201
SDL4607

D206
1N4148

DZ201
MTZ9.1B

IC202
TDA9160A

IC207
AN5342K

IC206
MC14578P

- NTSC-M
- V-SYNC
- PK-PWM
- C-OUT
- Y-OUT
- TTX/CVBS
- AV-CVBS

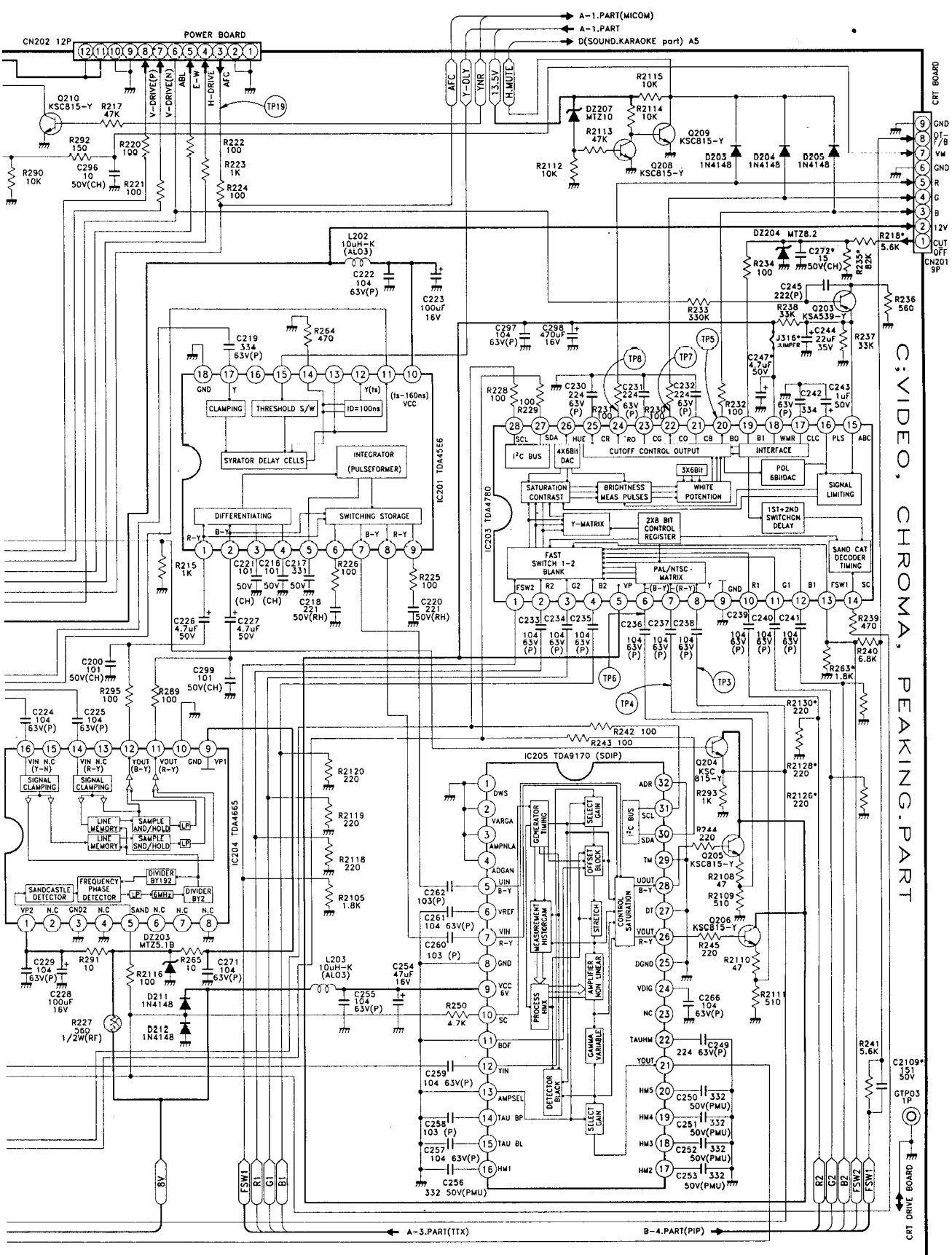
12V

8V

SCL

SDA

YM



CN202 12P (12 11 10 9 8 7 6 5 4 3 2 1)

POWER BOARD

A-1.PART(MICOM)

A-1.PART

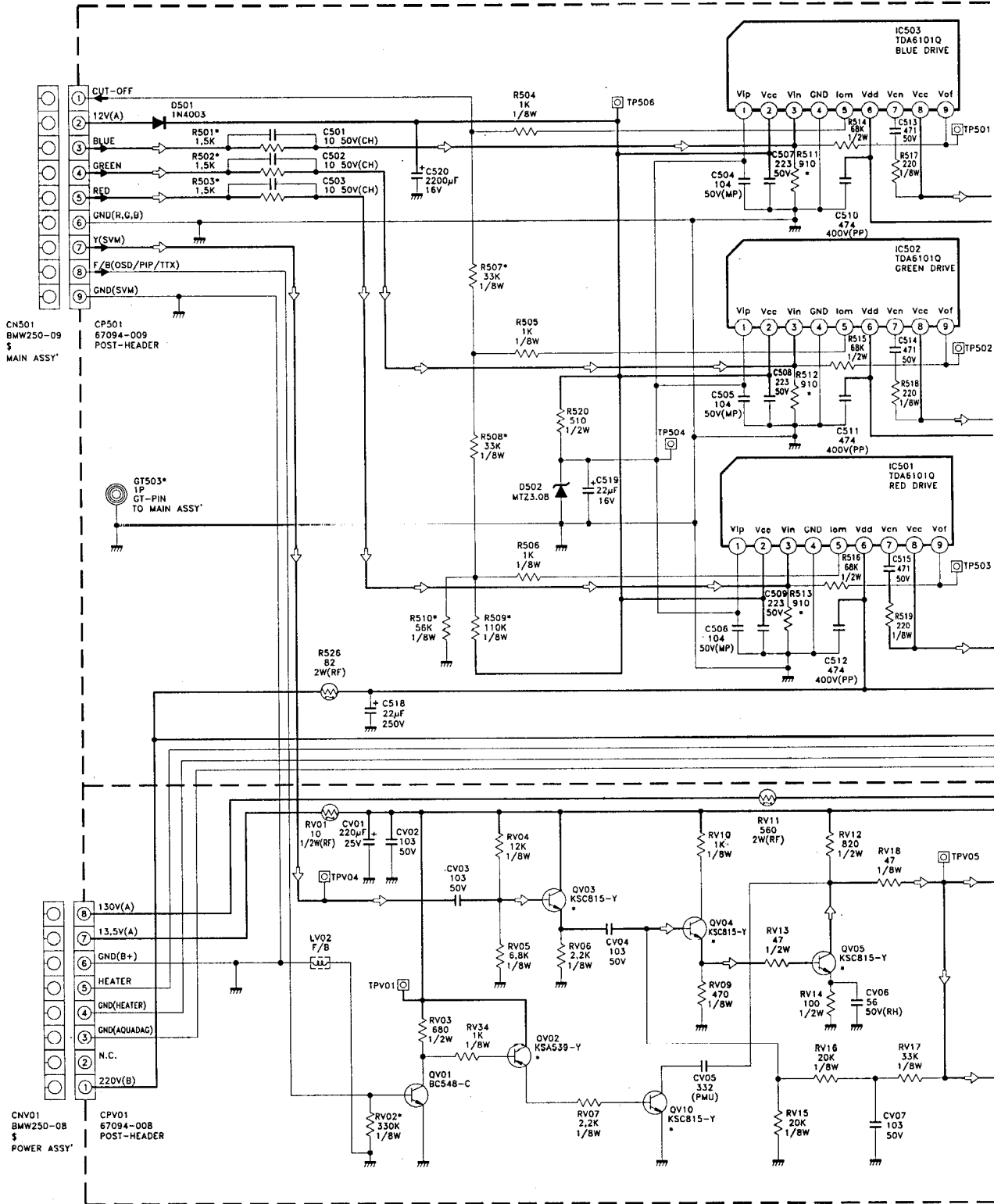
D(SOUND.KARAOKE part) A5

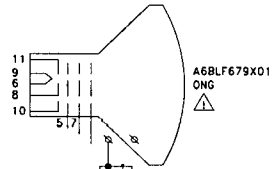
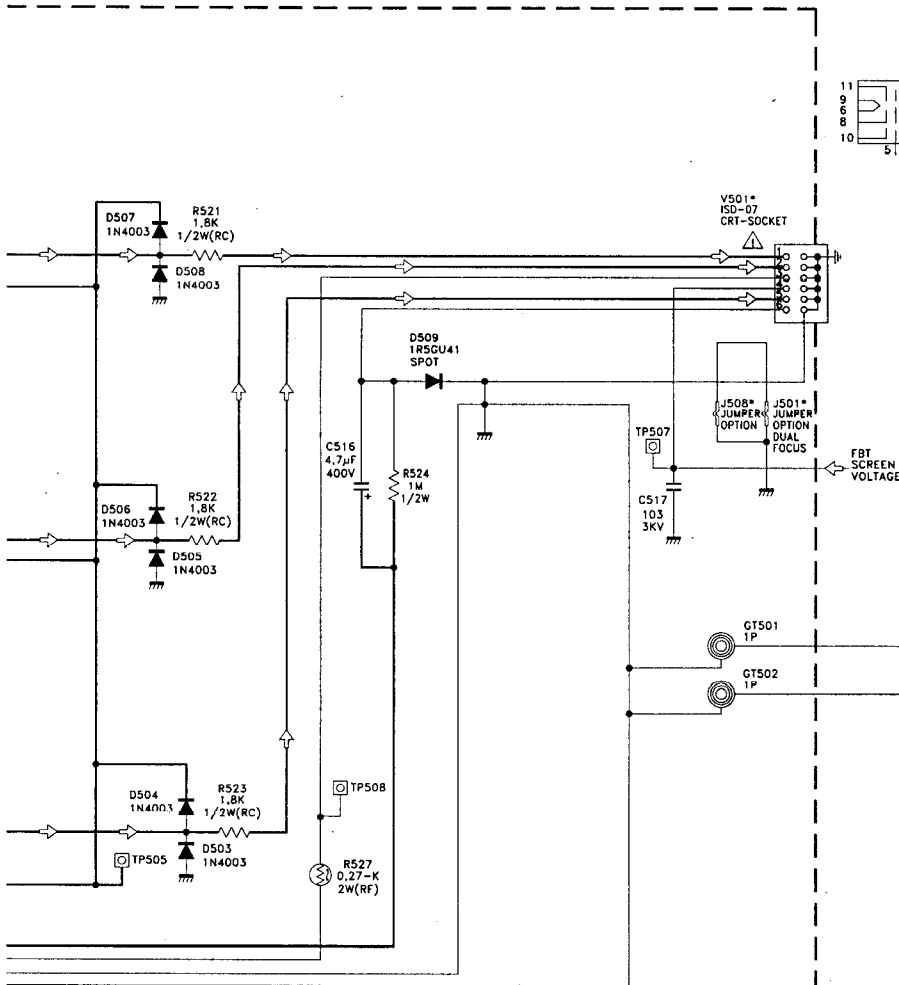
C: VIDEO, CHROMA, PEAKING. PART

CRT BOARD

GND 9T/5 VM GND R G B 12V CUT OFF CN201 5P

A-3.PART(TTX) B-4.PART(PIP)



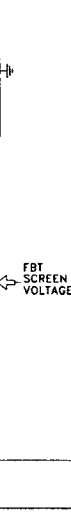
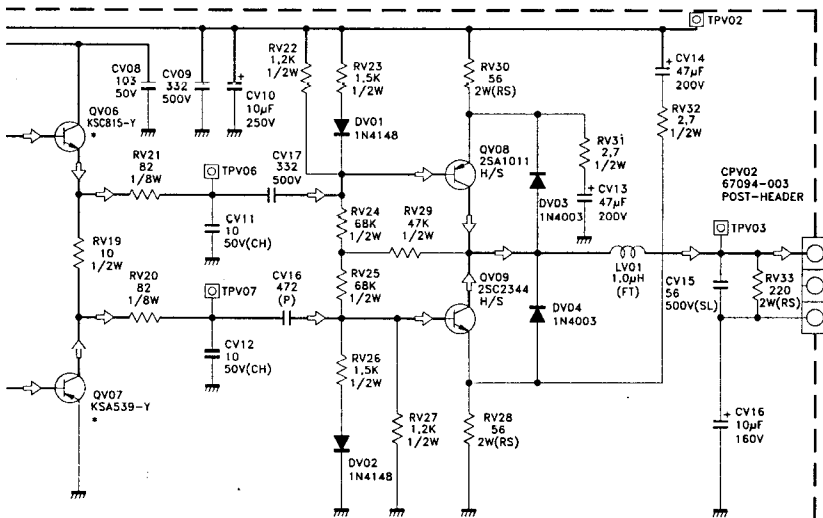


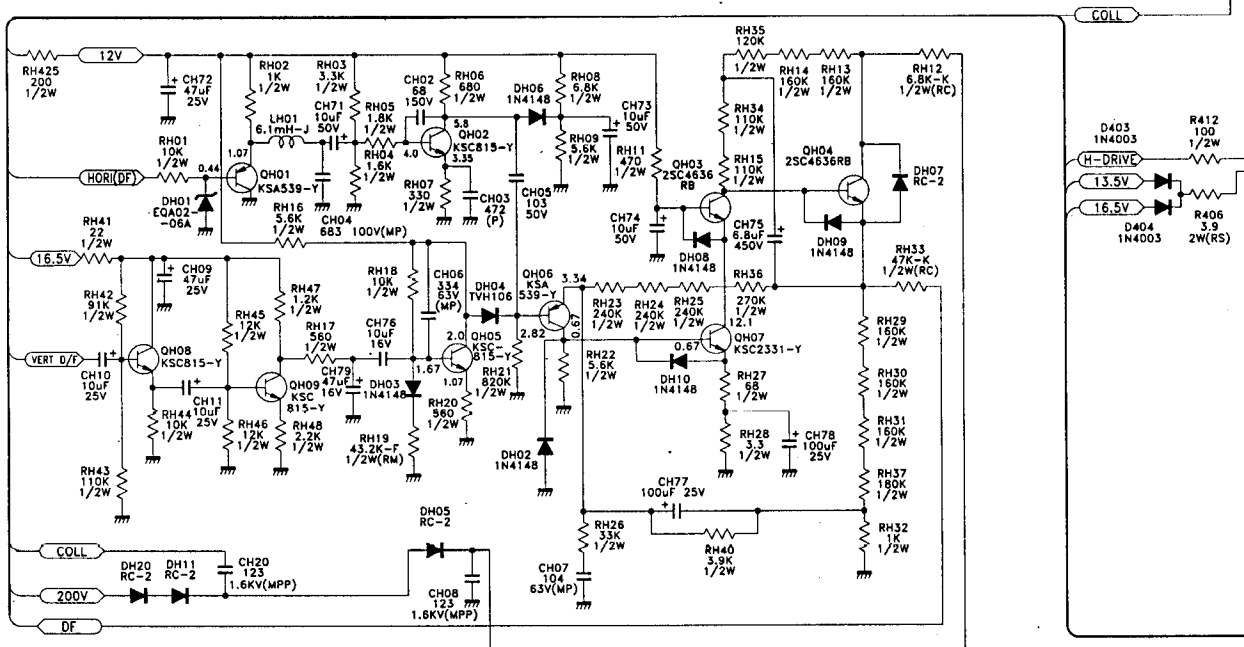
LOCATION NUMBER	SPECIFICATION	
	29'	25'
Y501	ISD-07	DELETE
J508	JUMPER	DELETE
J501	JUMPER	DELETE

LOCATION NUMBER	SPECIFICATION	
	TD44780	TD44687
R507	33K	11K
R508	33K	15K
R510	DELETE	56K
R509	110K	DELETE

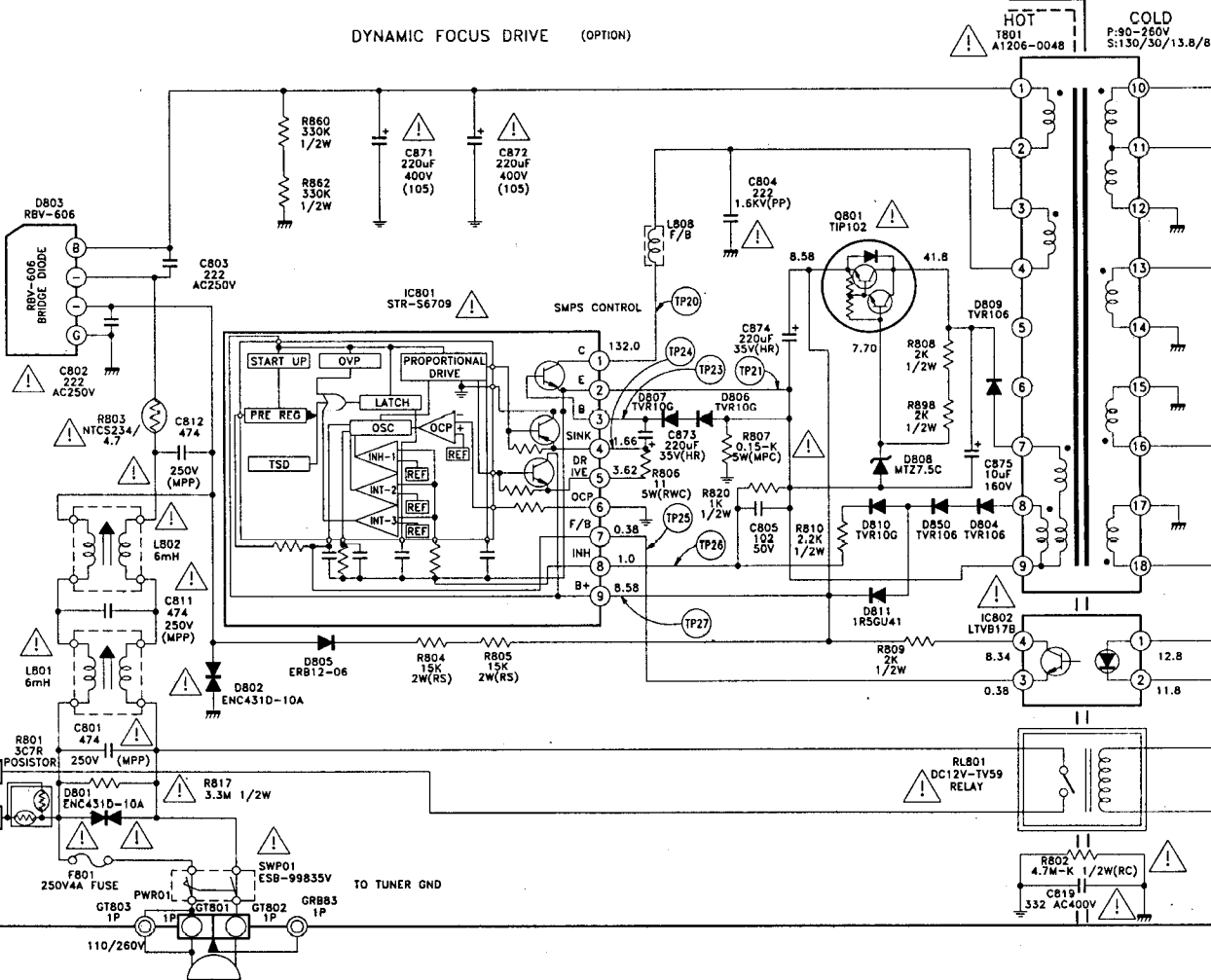
LOCATION NUMBER	SPECIFICATION	
	5VW	F/B
RV02	DELETE	

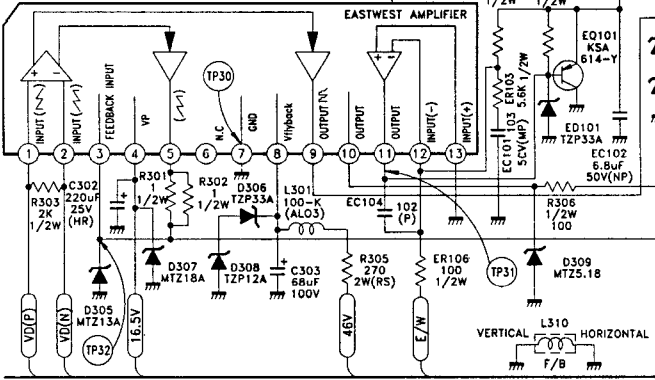
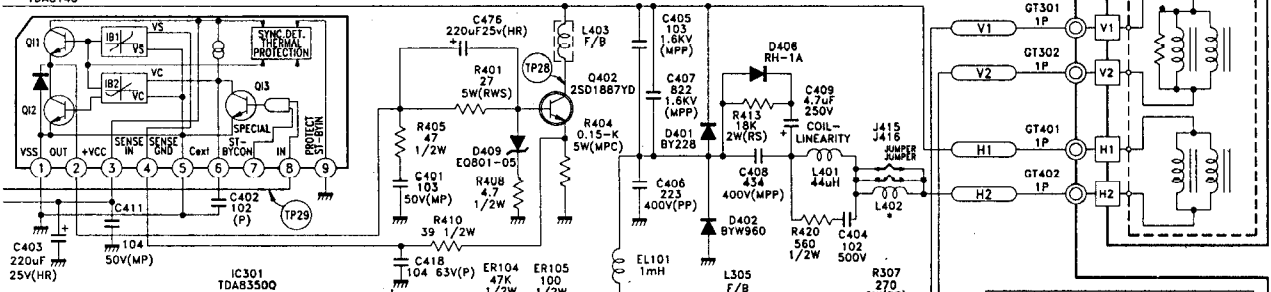
LOCATION NUMBER	SPECIFICATION	
	SPOT	JUMPER
D503	1R5GU41	DELETE
C516	4.7µF 400V	DELETE
R524	1M 1/2W	DELETE





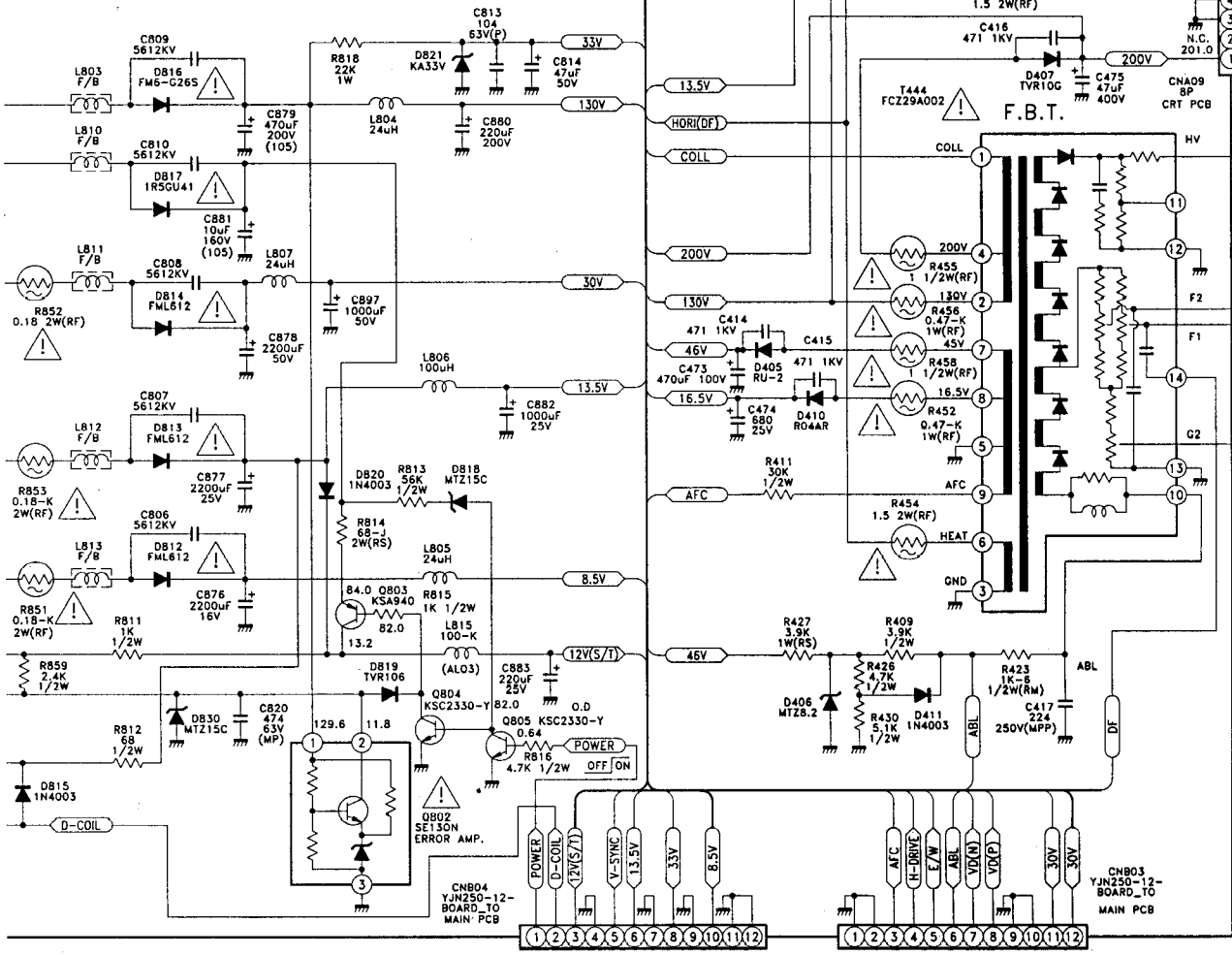
DYNAMIC FOCUS DRIVE (OPTION)



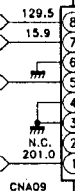


	25'	29'
C405	1.6KV123	1.6KV103
C407	1.6KV632	1.6KV822
L402	COIL-WIDTH 110UH	DELETE
J415	DELETE	JUMPER
J416	DELETE	JUMPER
T444	FTR-25A002	FCZ-29A002
D-FOCUS	DELETE	INSERT

SC515A DIF.PARTS LIST

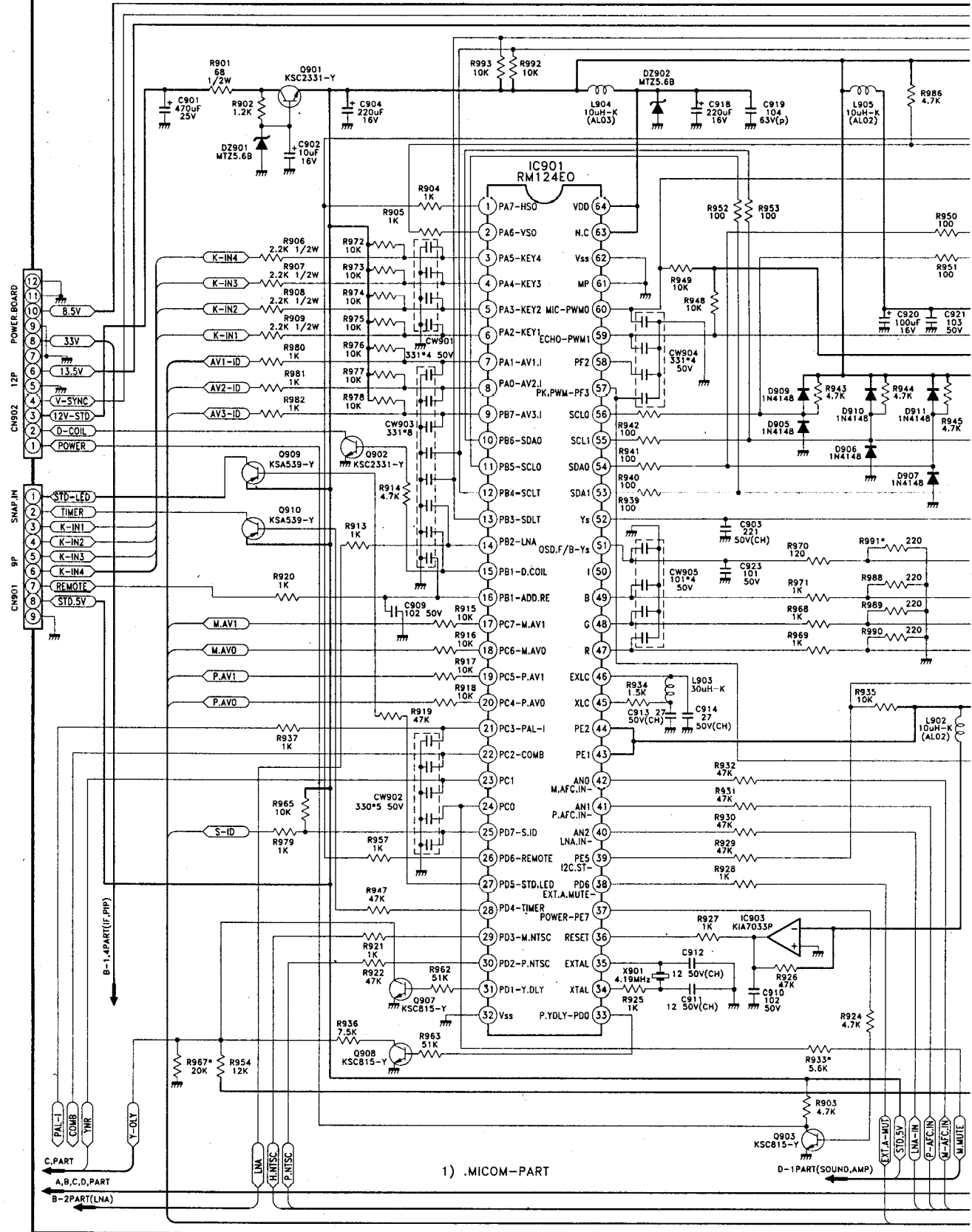


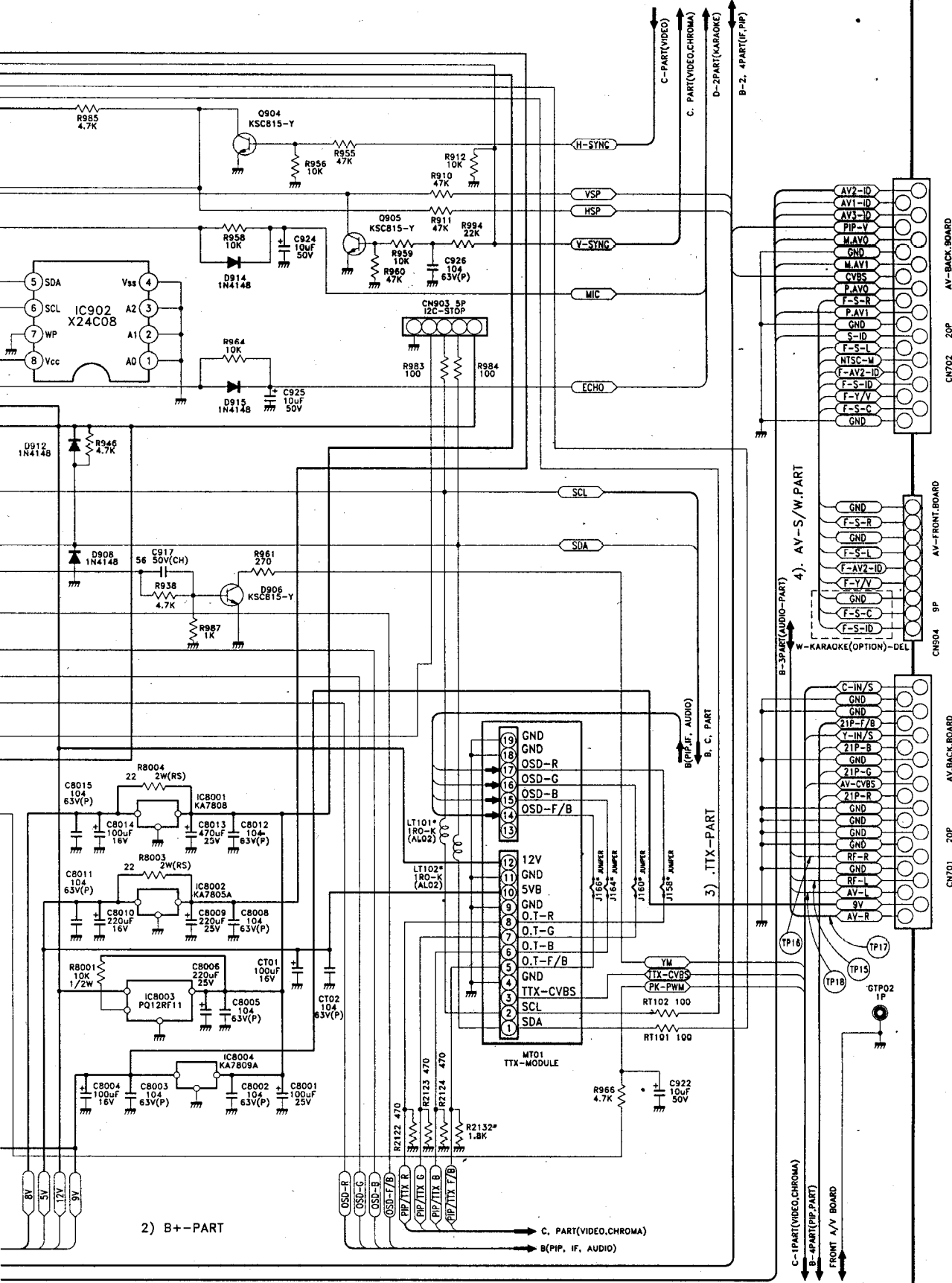
GT805 1P TBC WIRE



CHA09 8P CRT PCB

CHB03 YUN250-12 BOARD_TO MAIN PCB





2) B+-PART

4) AV-S/W, PART

3) .ITX-PART

C-1PART (VIDEO, CHROMA)

B-4PART (PIP, PART)

FRONT A/V BOARD

CNT02 20P

CNT04 9P

CNT01 20P

CNT01 20P