

# How to set the Market Mode for adjustment.

Follow the Steps shown in the block diagram below to set the Market Mode for sub-colour; sub-bright; sub-contrast; RGB low-light ; RGB high-light and etc, adjustments.

When the IC601 ( VCJ ) or IC1102 are replaced, these adjustment must be done as below.

## The Sub Adjustment mode.

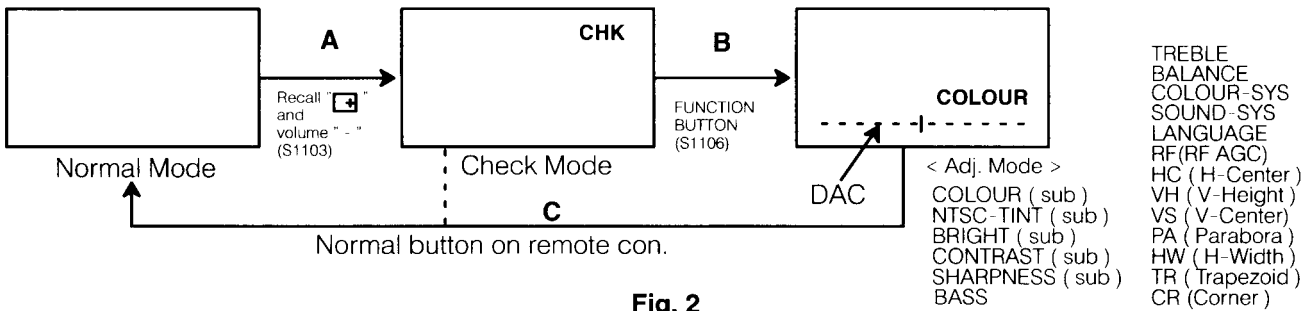


Fig. 2

A: Simultaneously press the Recall button [ ] on the remote control unit and the VOLUME DOWN button [ - ] (on the TV set). The TV in the Normal mode changes to check mode. "CHK" will appear on the screen as shown in Fig. 2 .

B: Press the Function button (S1106) to select the required adjustment to be adjusted as shown in Fig. 2 . Press the Volume "up" or "down" button on the TV set to change the DAC level.

## The CRT Adjustment mode.

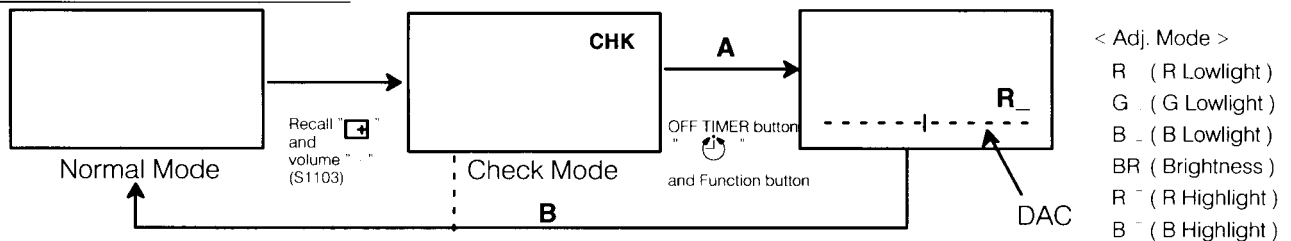


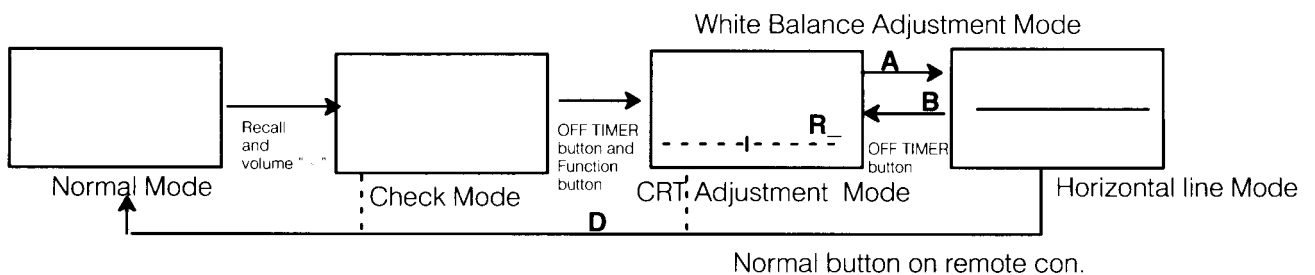
Fig. 3

A: Press the OFF TIMER button on the remote control, The TV in the Check mode changes to the CRT Adjustment mode.

Press the Function button (S1106) to select the required adjustment to be adjusted as shown in Fig. 3 . ( Please refer to procedure on page 14 ).

Press the Volume "up" or "down" button on the TV set to change the DAC level.

## The White Balance Adjustment mode.



A: Press OFF TIMER button in the CRT Adjustment mode changes to the Horizontal line mode for Low light and Brightness mode.

B: Press OFF TIMER button, The TV in the Horizontal line Mode return to the CRT Adjustment mode. ( Please refer to procedure on page 13 ).

Press the Volume "up" or "down" button (S1104 & S1103) to change the DAC level.

## How to memorize the Adjustment data.

When finish adjustment, let the OSD disappear and press normal button on the remote control, or if OSD is being displayed, press normal key twice (Press once, normal OSD will appear, press again to exit from sub-function adjustment mode).