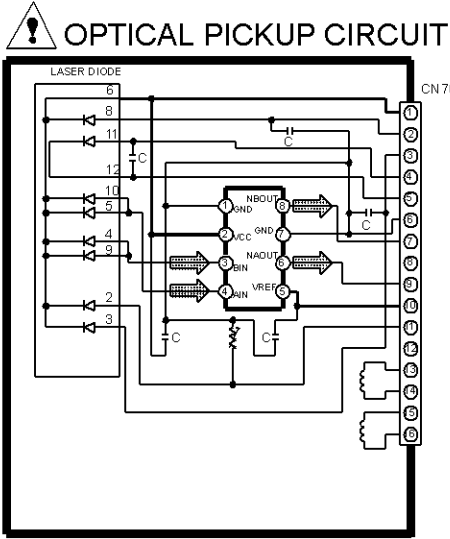
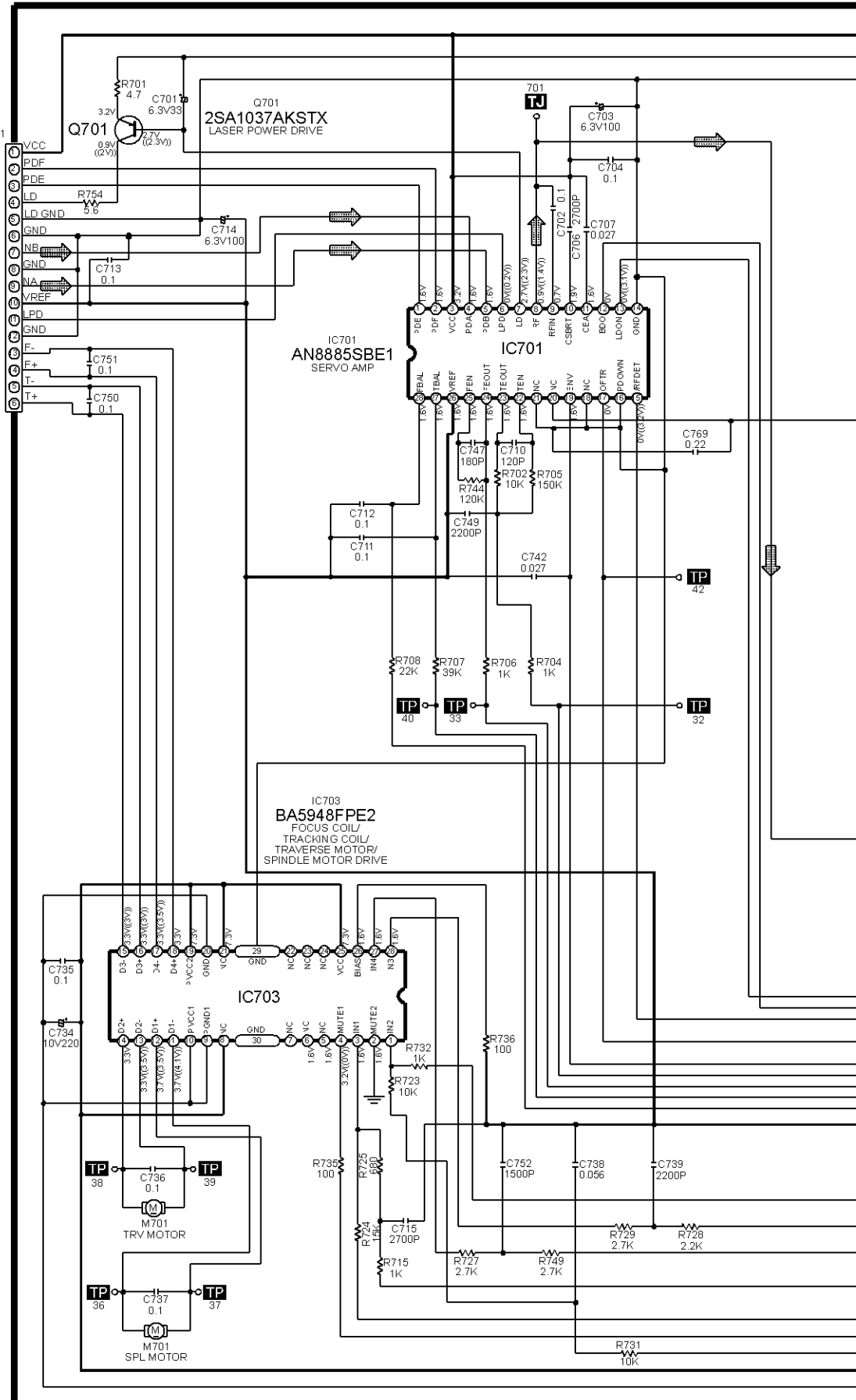


SCHEMATIC DIAGRAM -1



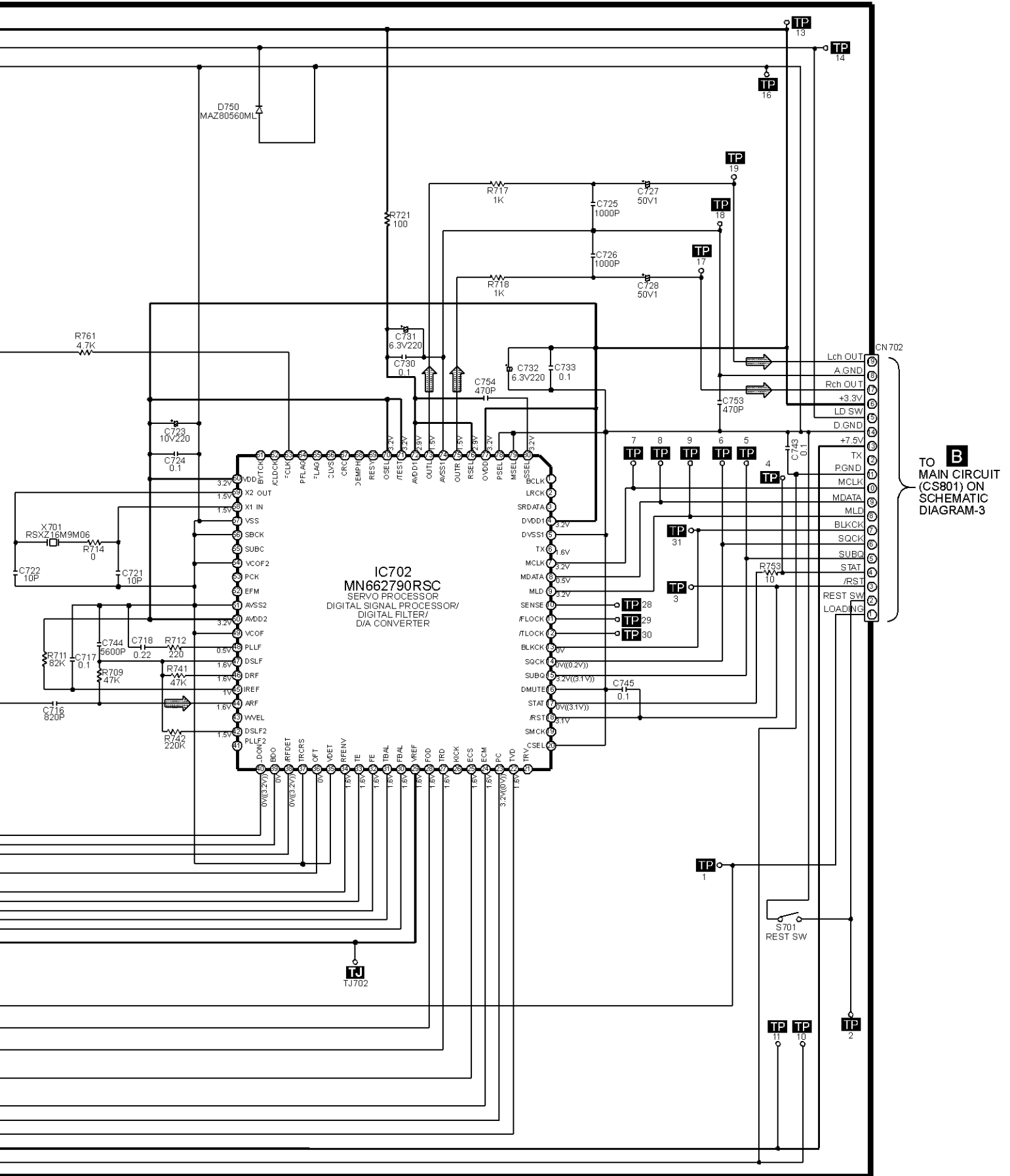
A CD SERVO CIRCUIT — : +B SIGNAL LINE ⇨ : CD SIGNAL LINE



SCHEMATIC DIAGRAM - 2

A CD SERVO CIRCUIT

— : +B SIGNAL LINE : CD SIGNAL LINE



TO **B** MAIN CIRCUIT (CS801) ON SCHEMATIC DIAGRAM-3


SCHEMATIC DIAGRAM-6

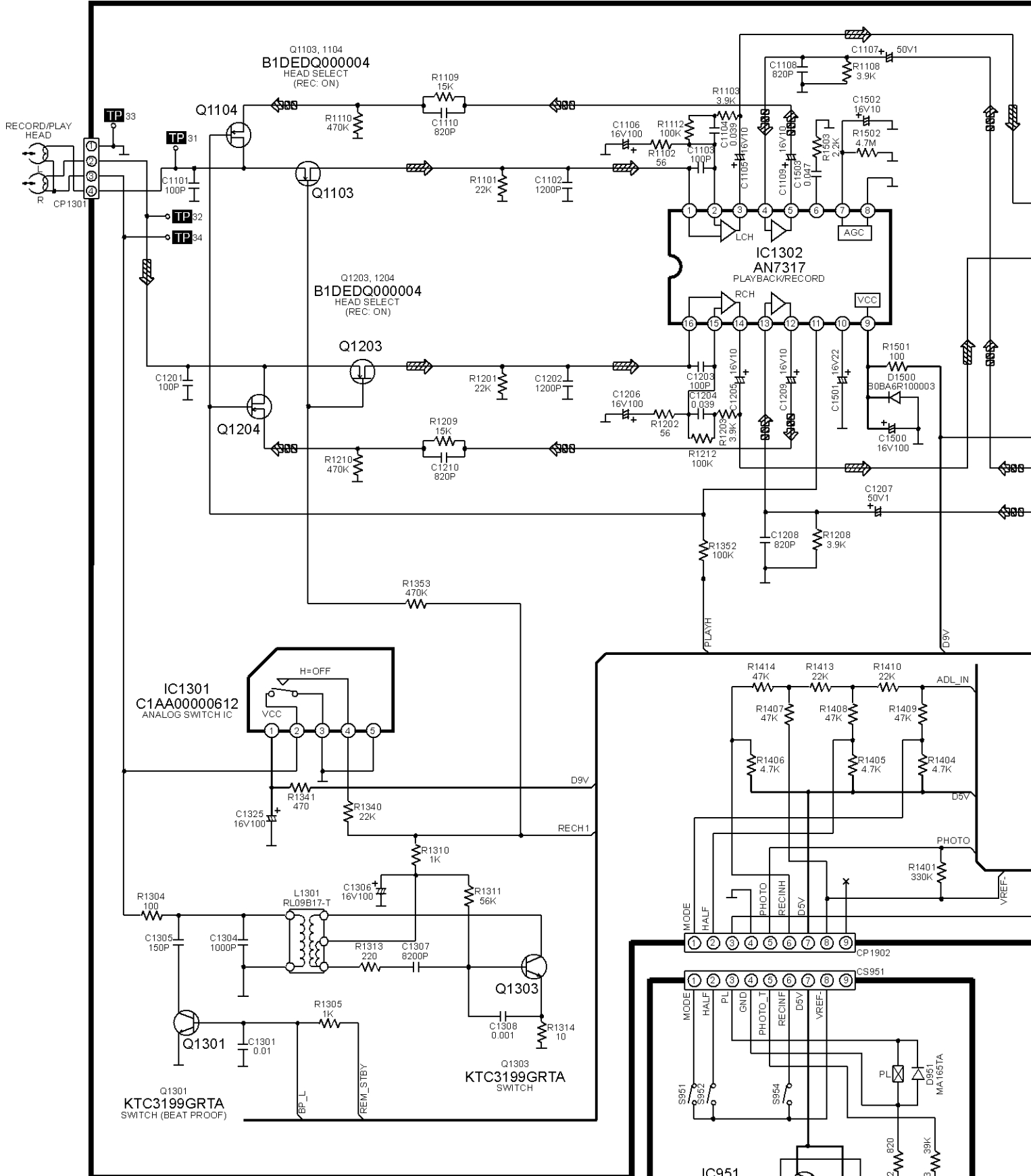
B

MAIN (DECK) CIRCUIT

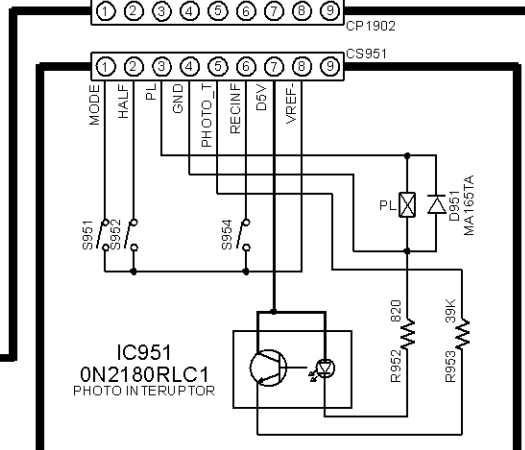
 : PLAYBACK SIGNAL LINE

— : +B SIGNAL LINE

 : +B SIGNAL LINE



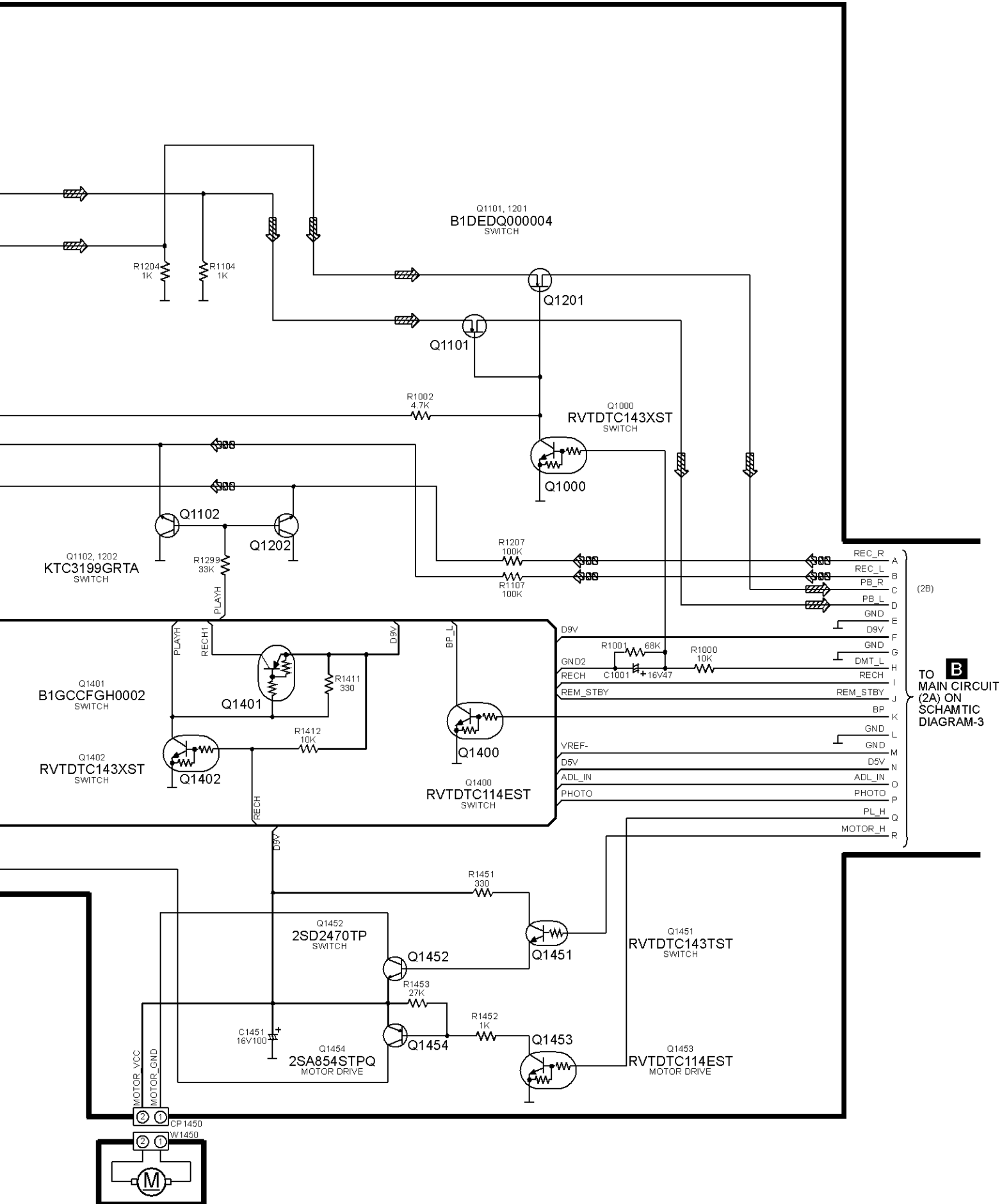
D DECK MECHANISM CIRCUIT



SCHEMATIC DIAGRAM-7

B MAIN (DECK) CIRCUIT

▨ : PLAYBACK SIGNAL LINE
 — : +B SIGNAL LINE



TO **B** MAIN CIRCUIT (2A) ON SCHEMATIC DIAGRAM-3

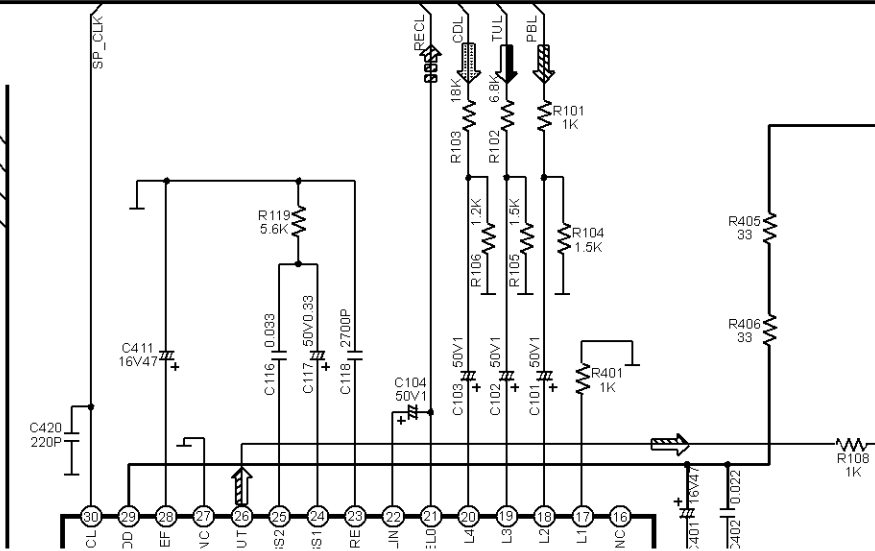
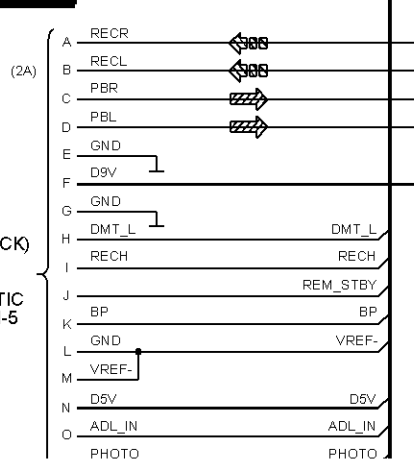
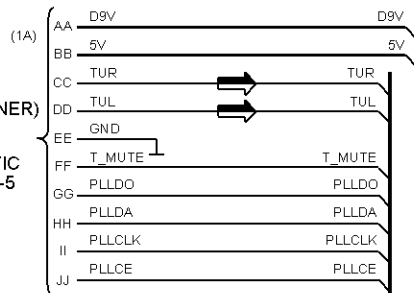
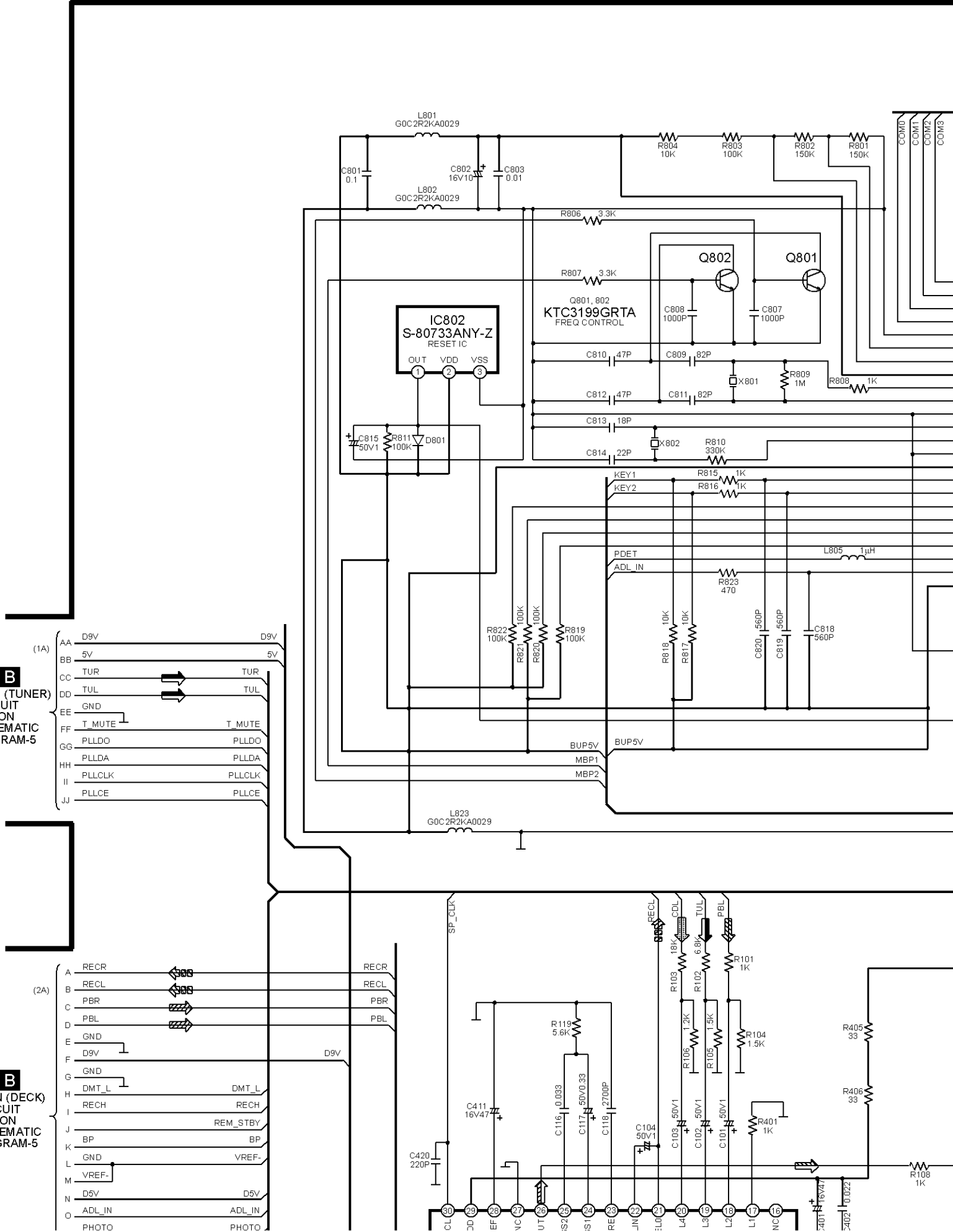
SCHEMATIC DIAGRAM-3

B MAIN CIRCUIT

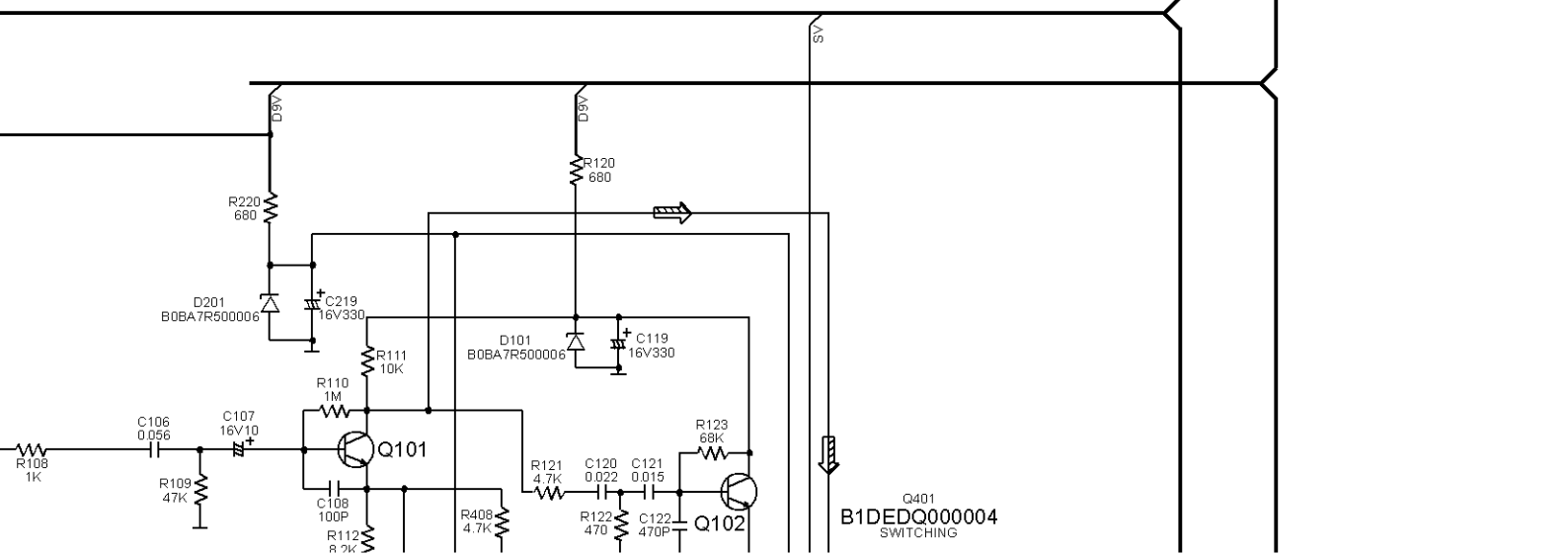
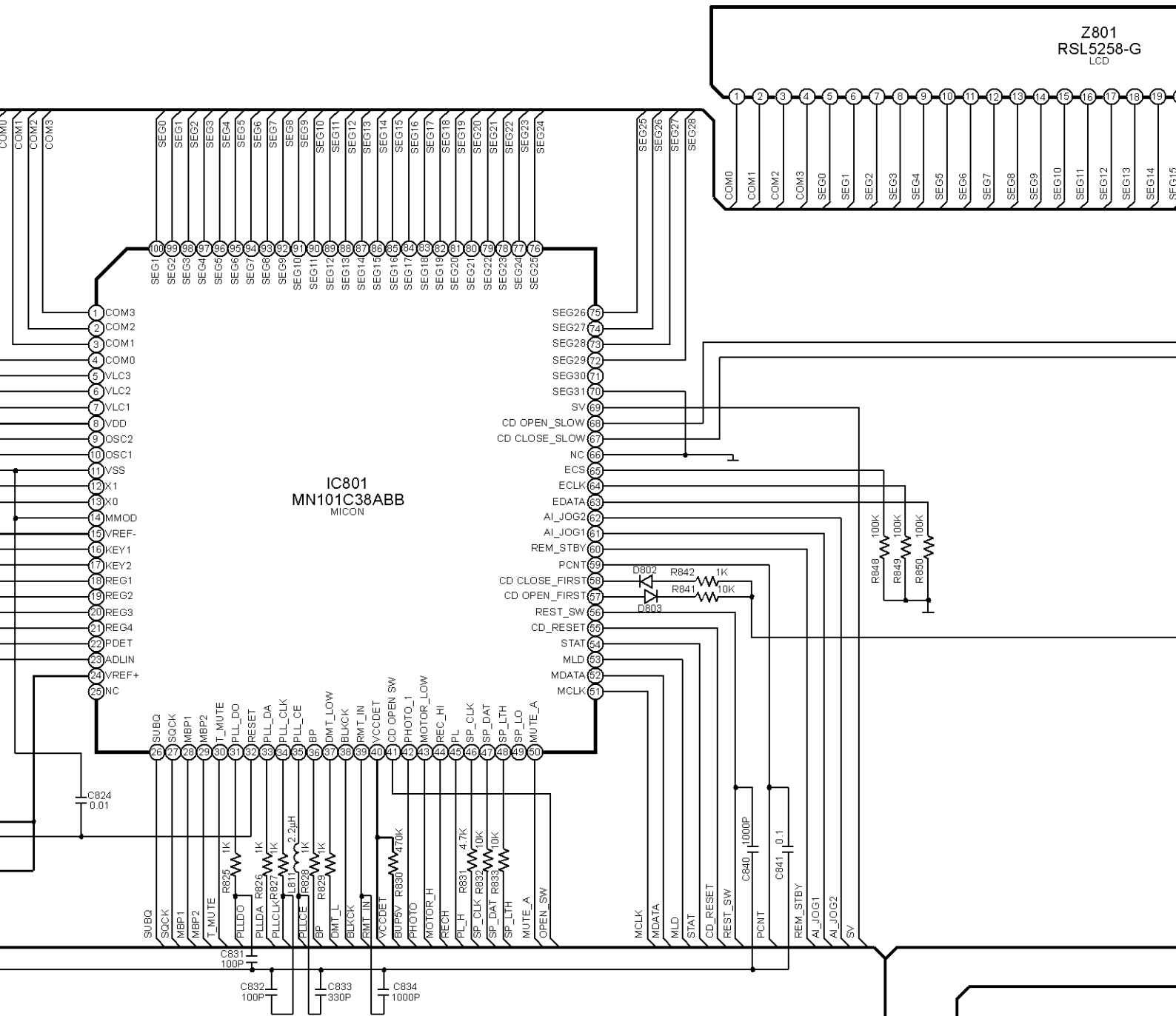
: +B SIGNAL LINE
 : MAIN SIGNAL LINE
 : CD SIGNAL LINE
 : FM/AM SIGNAL LINE
 : PLAYBACK SIGNAL LINE
 : RECORD SIGNAL LINE

TO MAIN (TUNER) CIRCUIT (1B) ON SCHEMATIC DIAGRAM-5

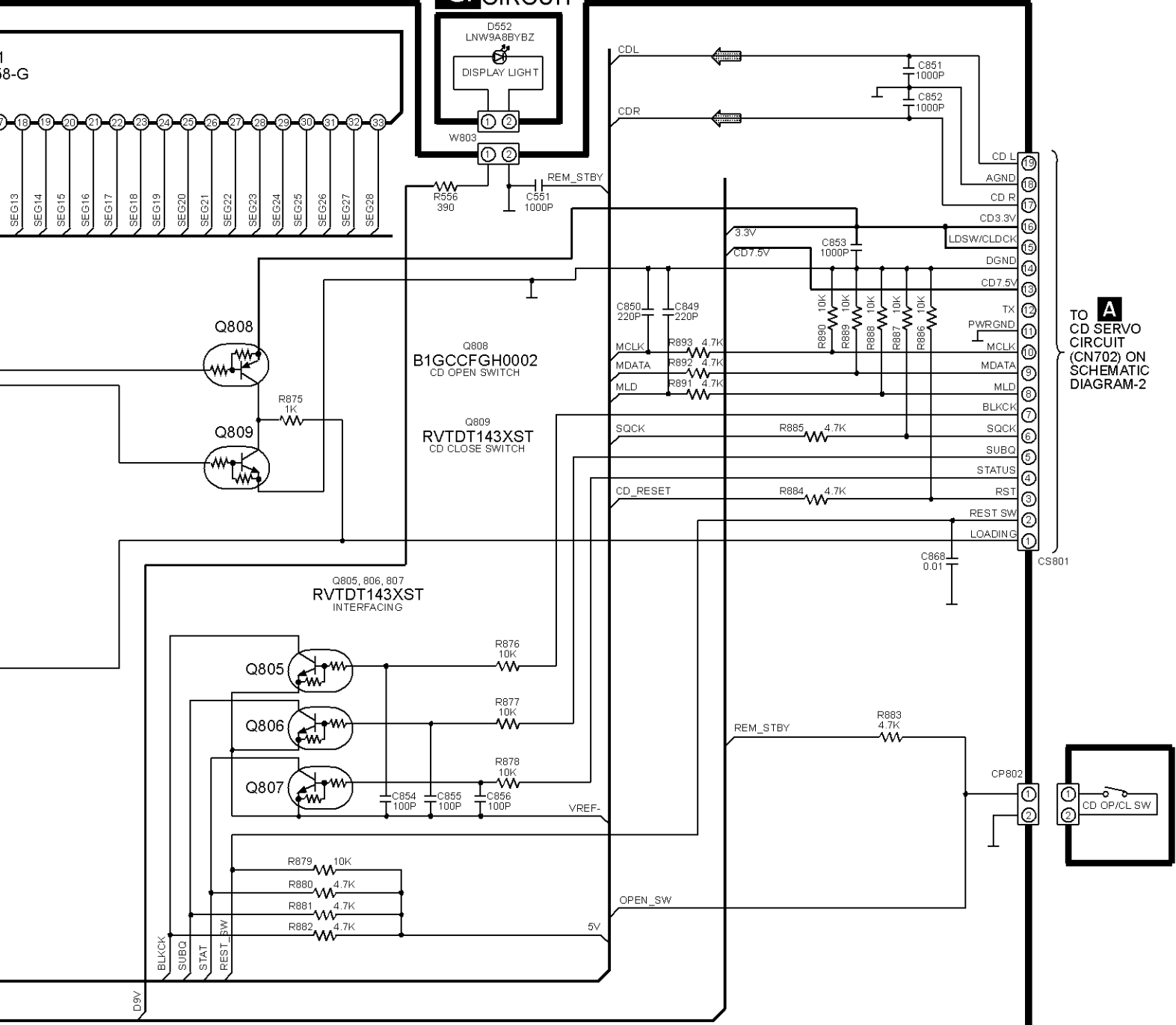
TO MAIN (DECK) CIRCUIT (2B) ON SCHEMATIC DIAGRAM-5



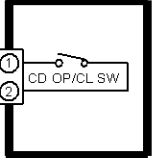
Z801
RSL5258-G
LCD



G POWER-ON CIRCUIT

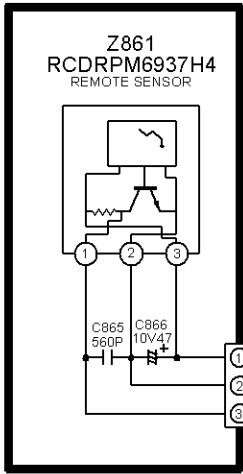


A
TO CD SERVO
CIRCUIT
(CN702) ON
SCHEMATIC
DIAGRAM-2

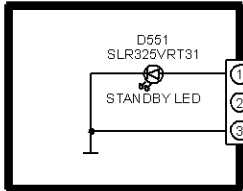


M	RESET	
N	D5V	D5V
O	ADL_IN	ADL_IN
P	PHOTO	PHOTO
Q	PL_H	PL_H
R	MOTOR_H	MOTOR_H

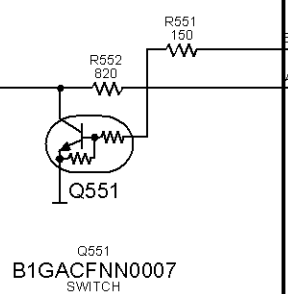
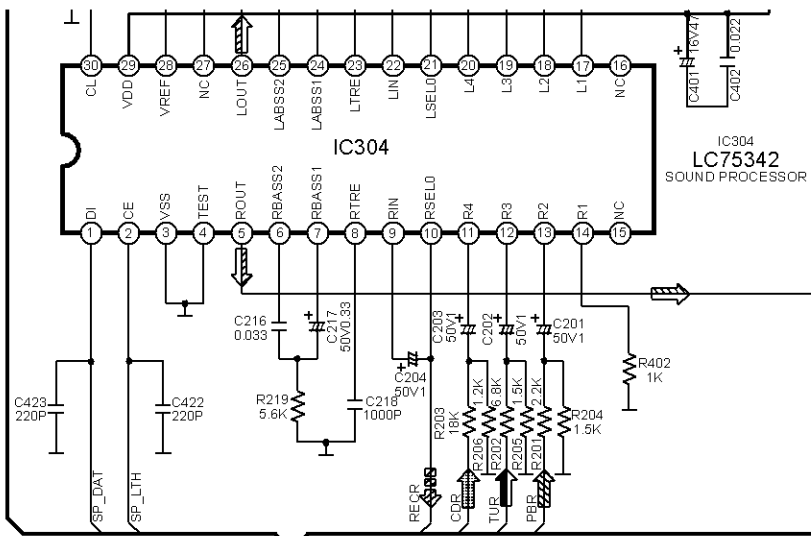
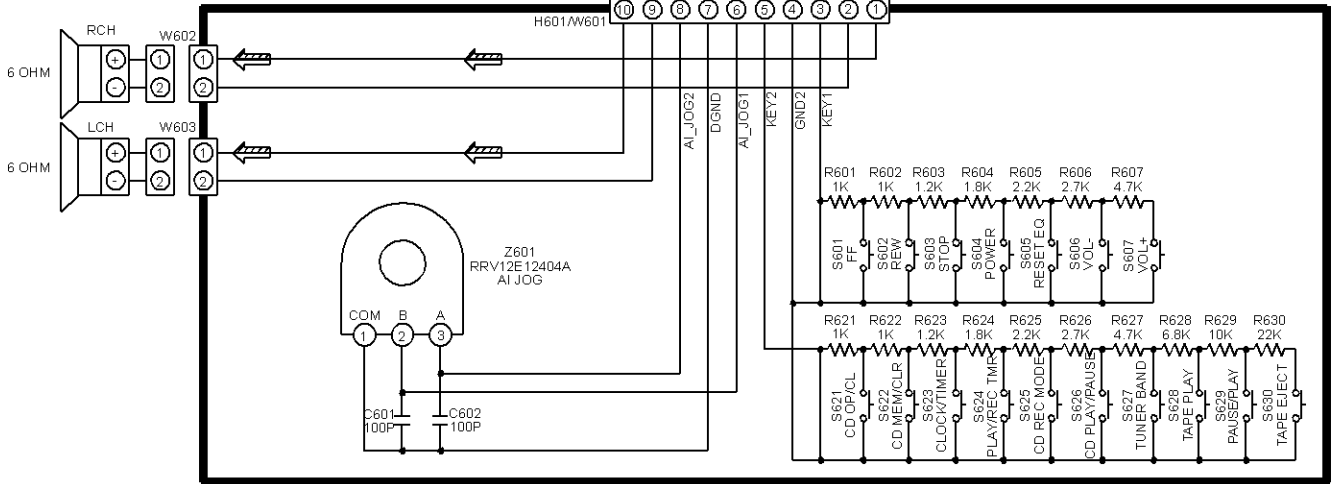
I SENSOR CIRCUIT

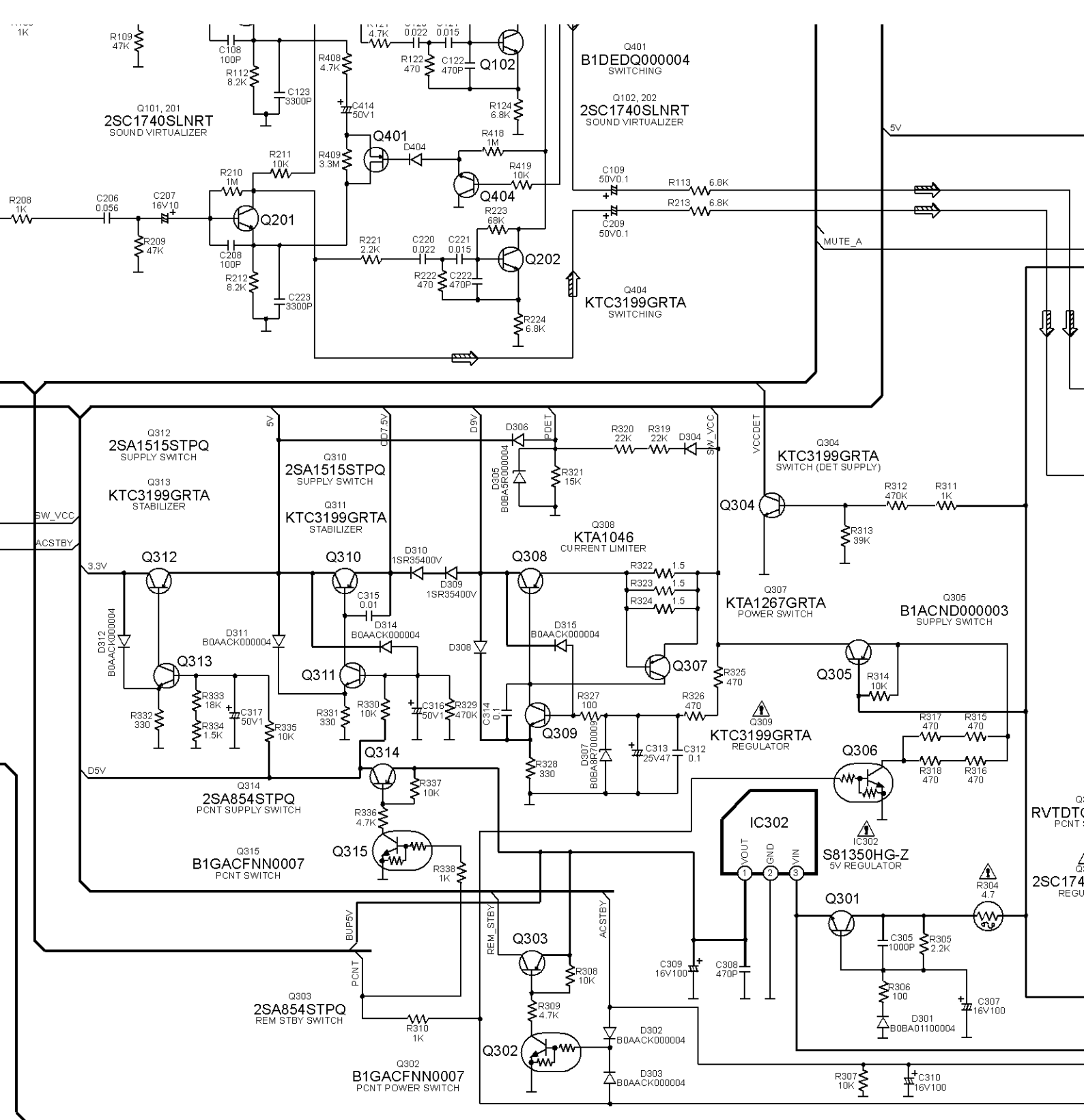


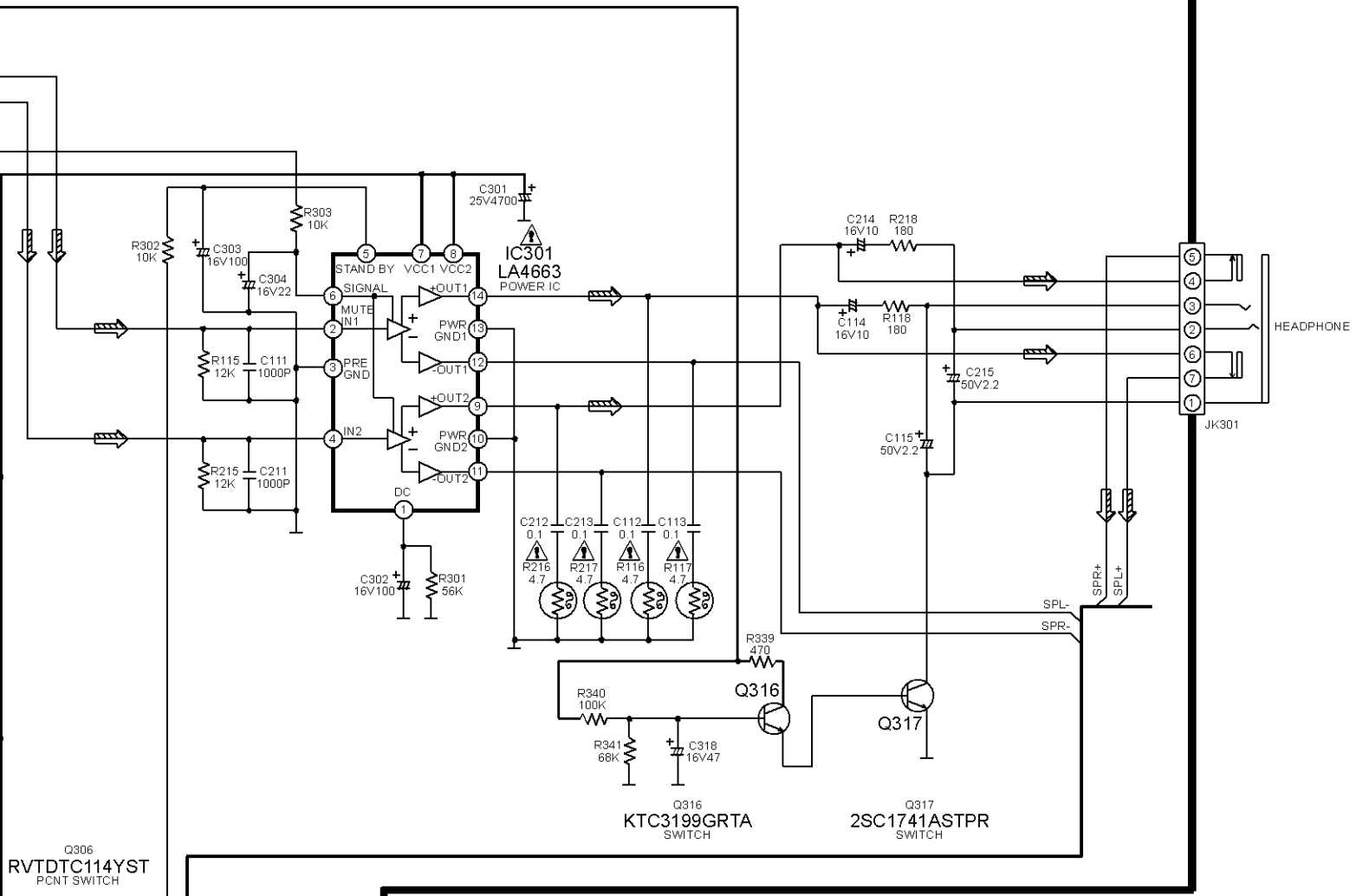
E STANDBY LED CIRCUIT



C PANEL CIRCUIT

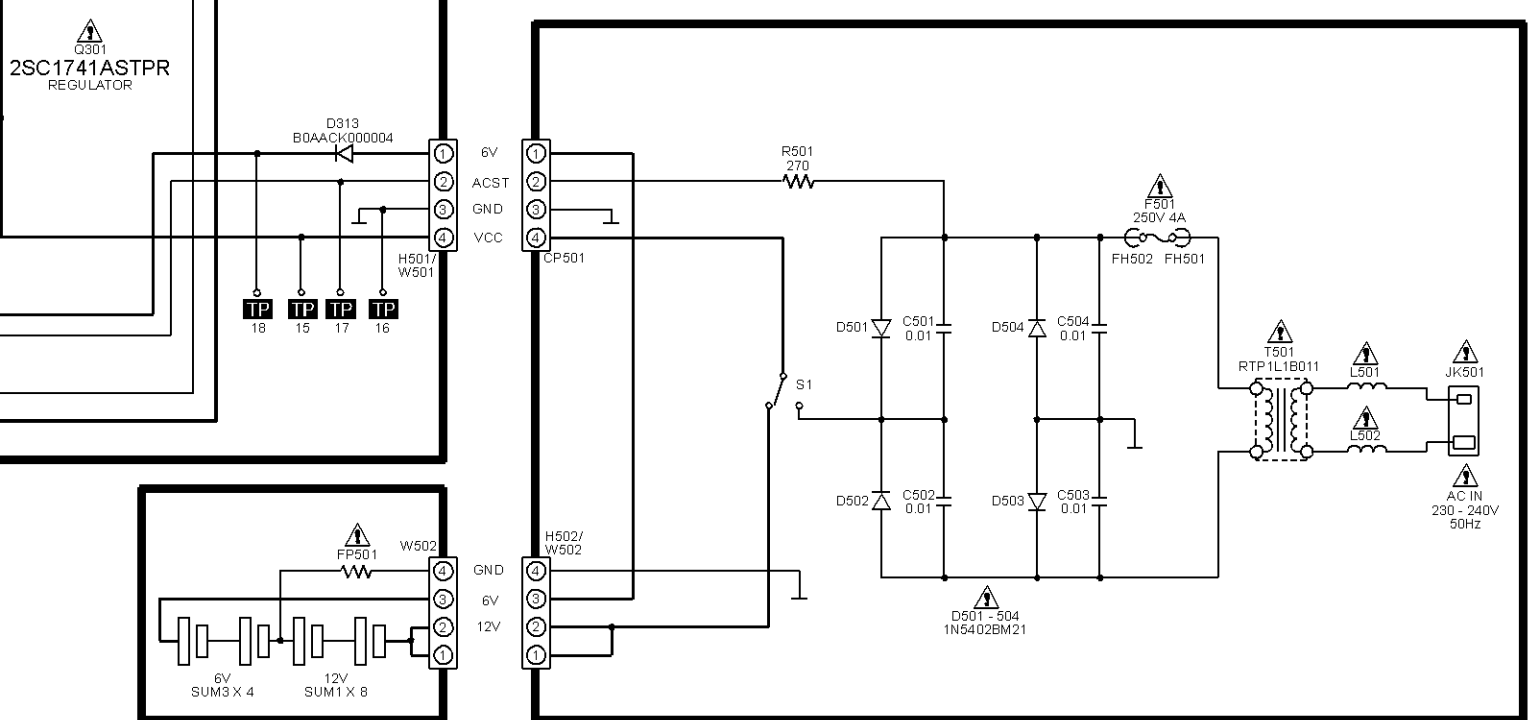






Q306
RVTDTC114YST
PCNT SWITCH

Q301
2SC1741ASTPR
REGULATOR



F BATTERY CIRCUIT

H POWER CIRCUIT

SCHEMATIC DIAGRAM - 4

B MAIN (TUNER) CIRCUIT

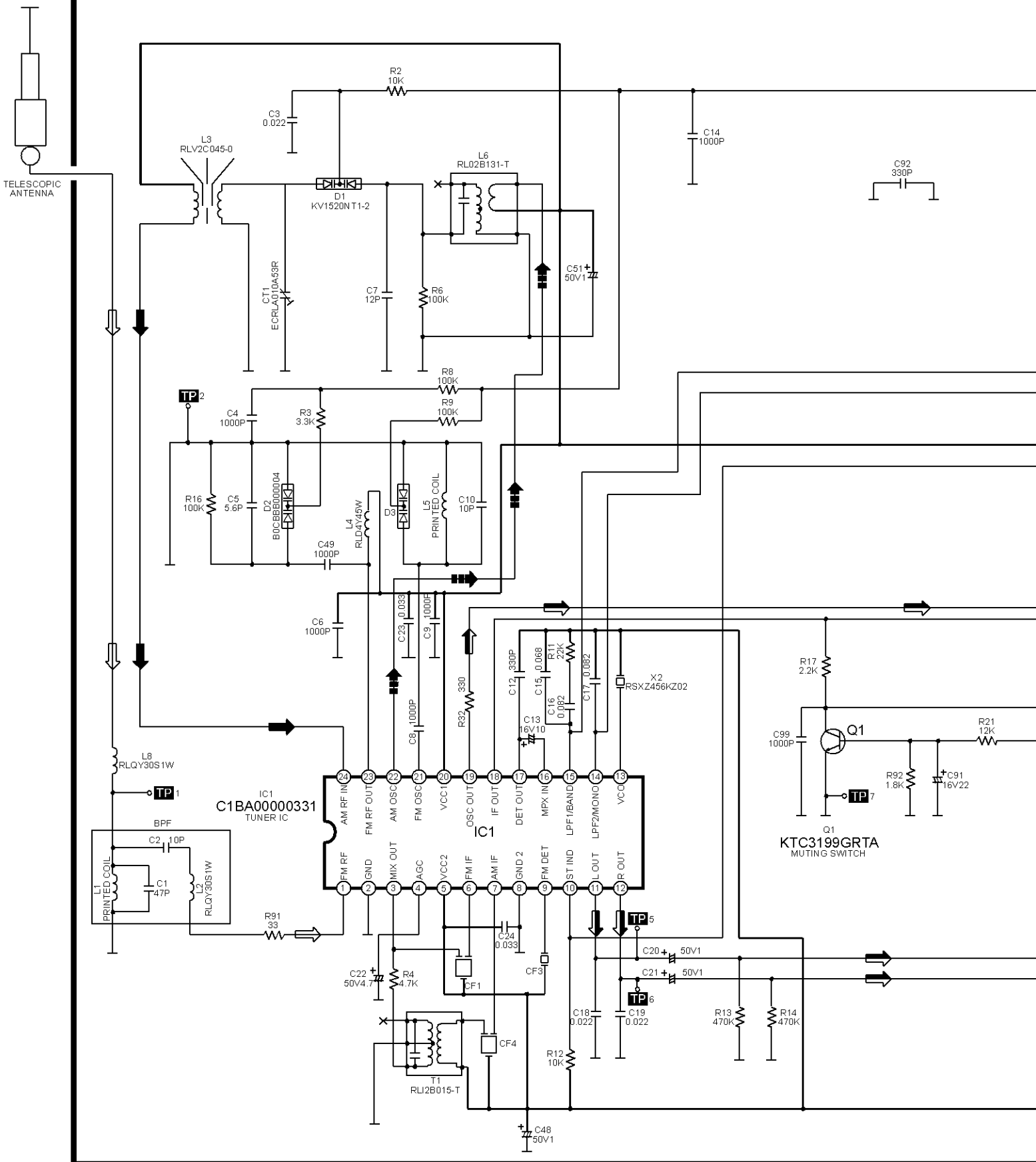
➔ : FM/AM SIGNAL LINE

➔ : AM SIGNAL LINE

— : +B SIGNAL LINE

⬇ : AM OSC SIGNAL LINE

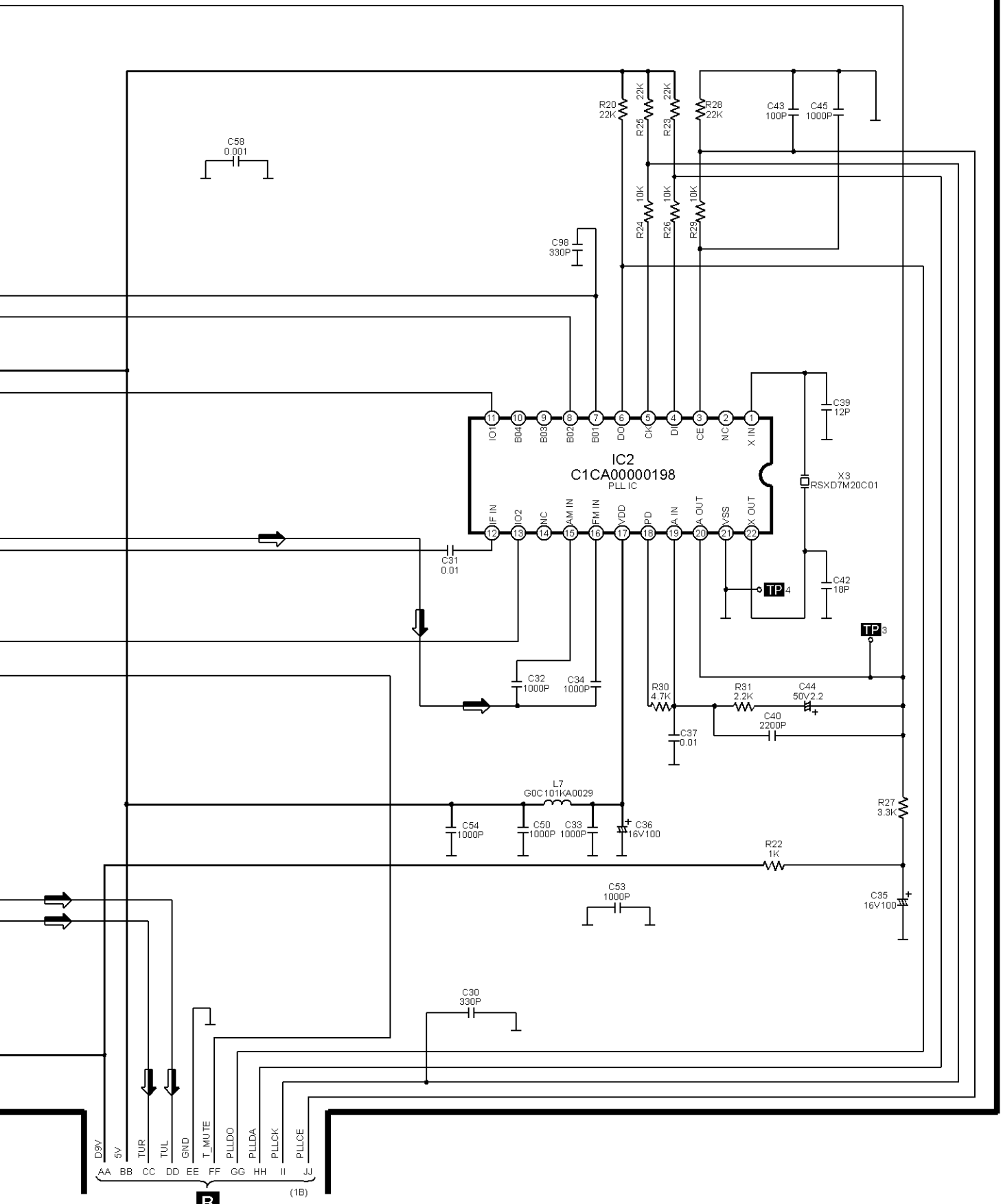
➔ : FM OSC SIGNAL LINE



SCHEMATIC DIAGRAM - 5

B MAIN (TUNER) CIRCUIT

➔ : FM/AM SIGNAL LINE
 — : +B SIGNAL LINE



TO **B**
 MAIN CIRCUIT
 (1A) ON
 SCHEMATIC
 DIAGRAM-3