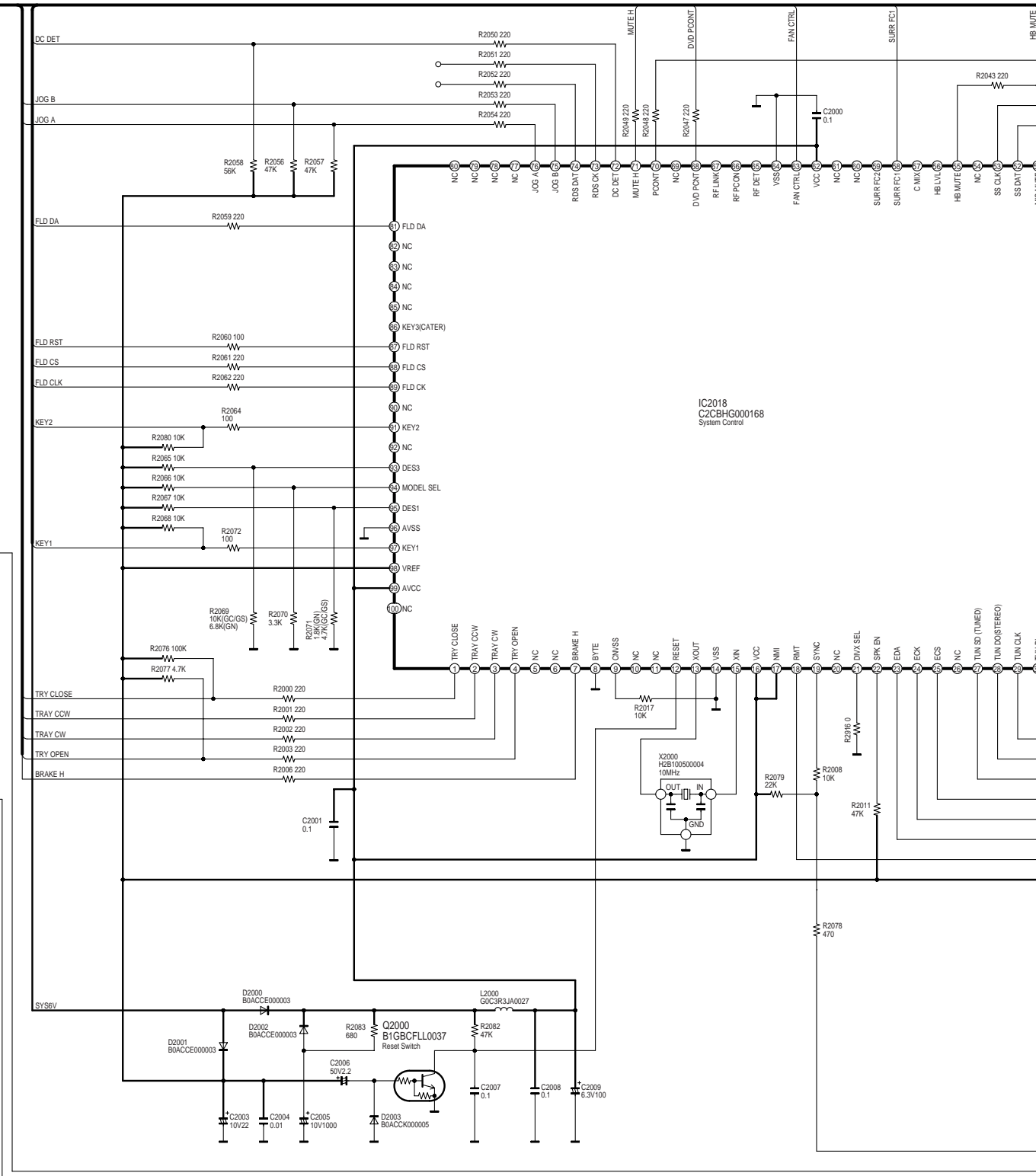
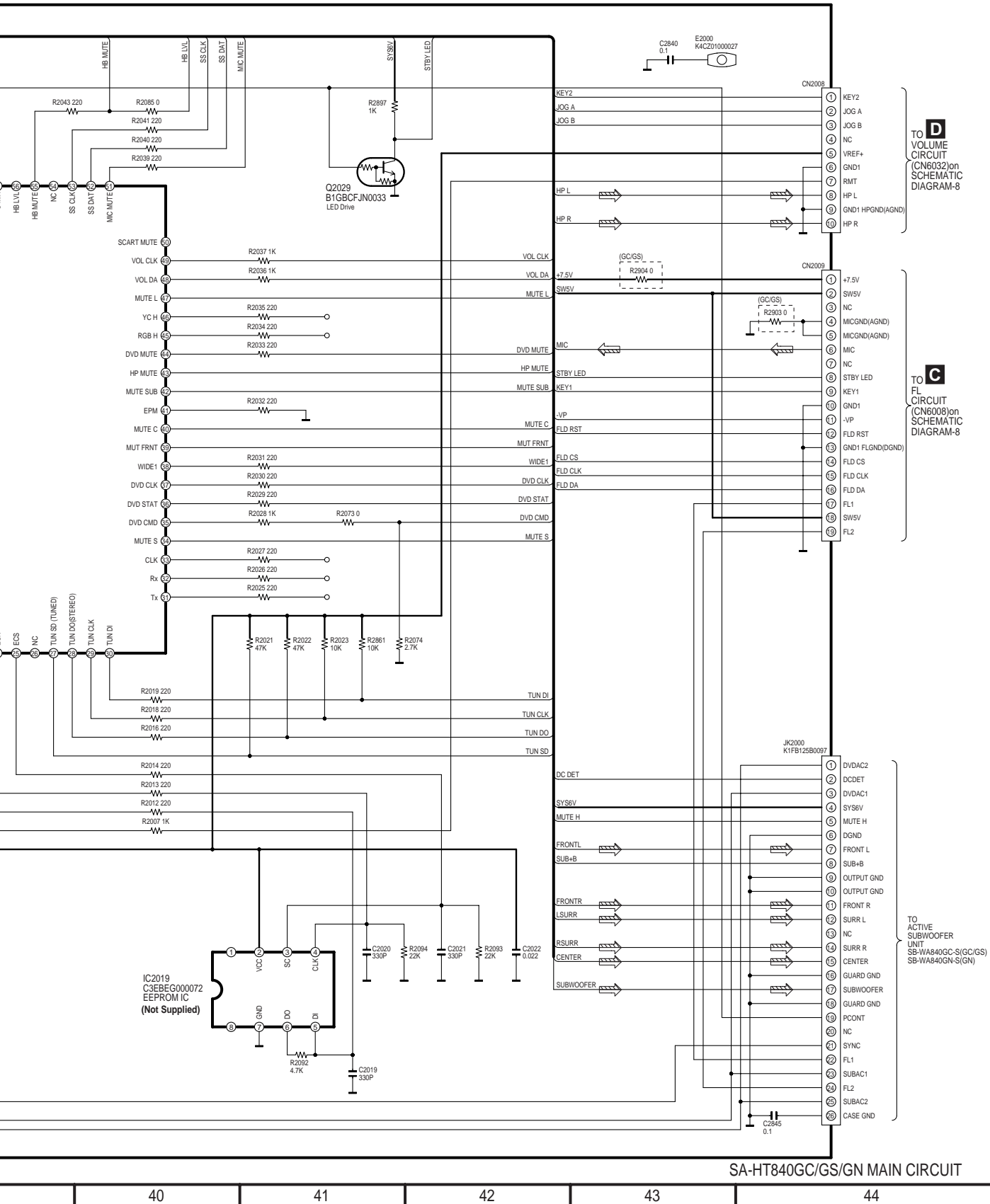


SCHEMATIC DIAGRAM-7

B MAIN CIRCUIT

— :+B SIGNAL LINE ⇨ :MAIN SIGNAL LINE





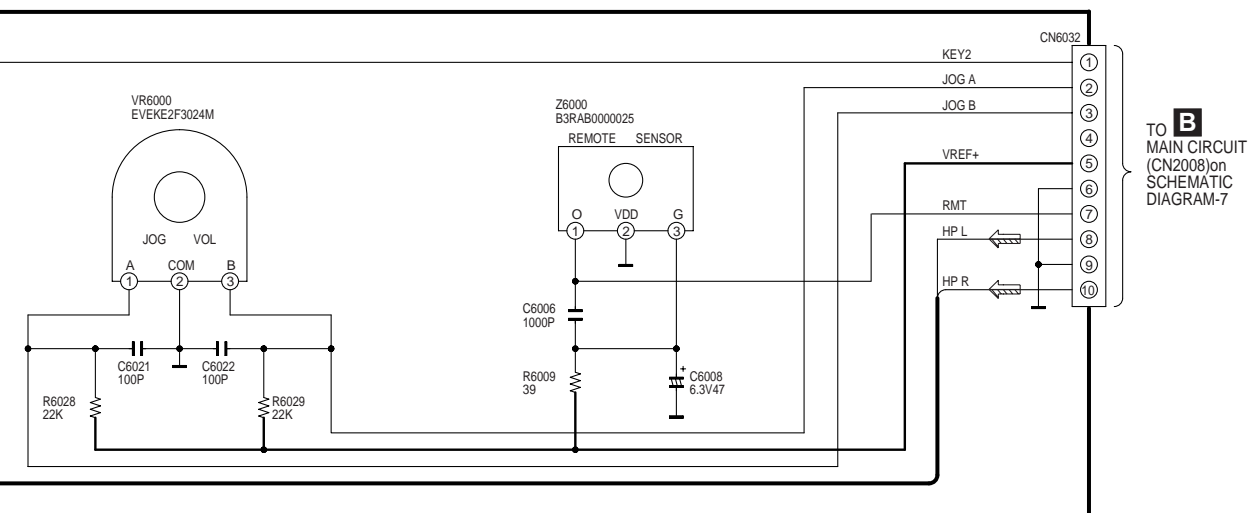
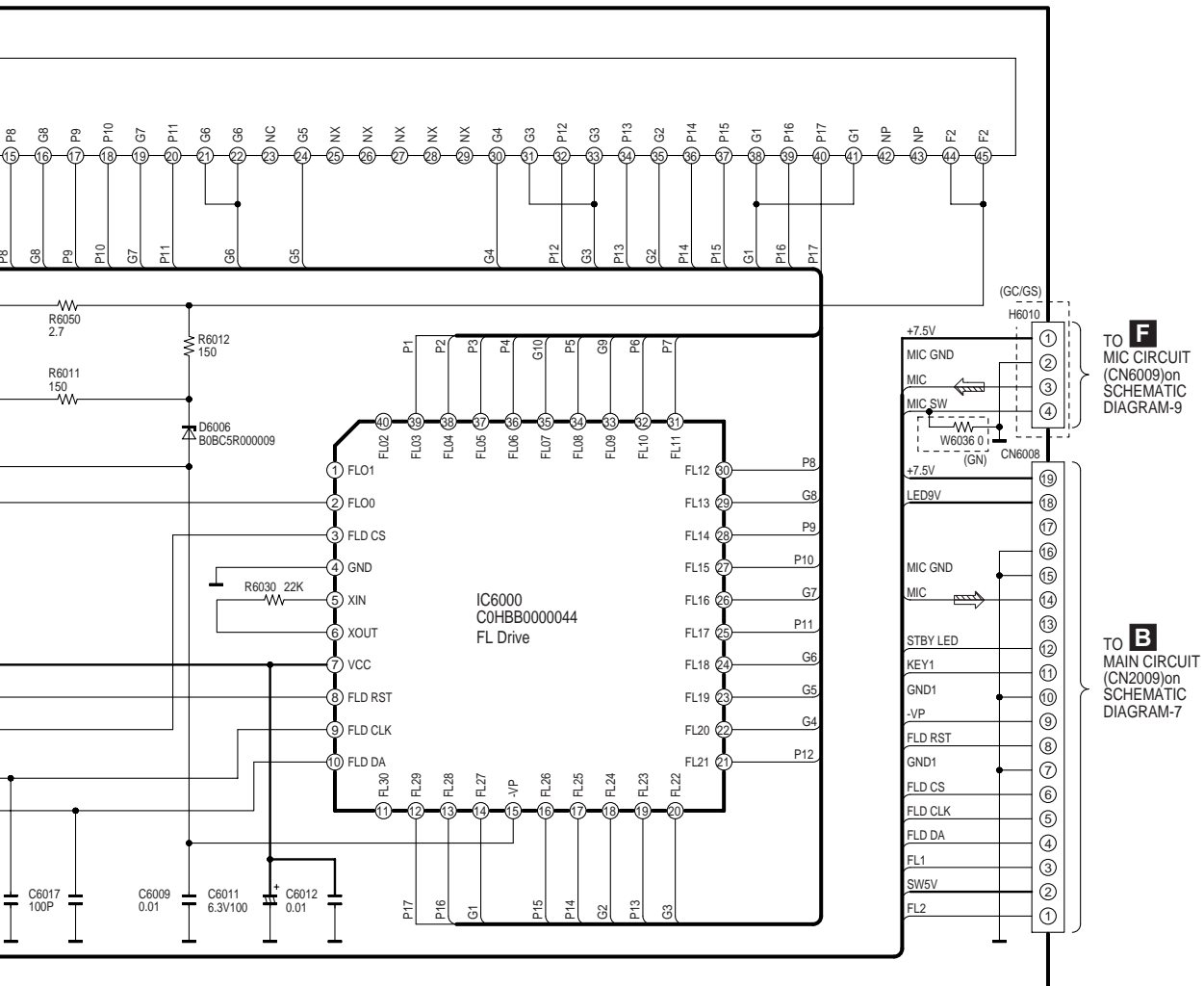
SA-HT840GC/GS/GN MAIN CIRCUIT

G
F
E
D
C
B
A

D
TO VOLUME CIRCUIT (CN6032) on SCHEMATIC DIAGRAM-8

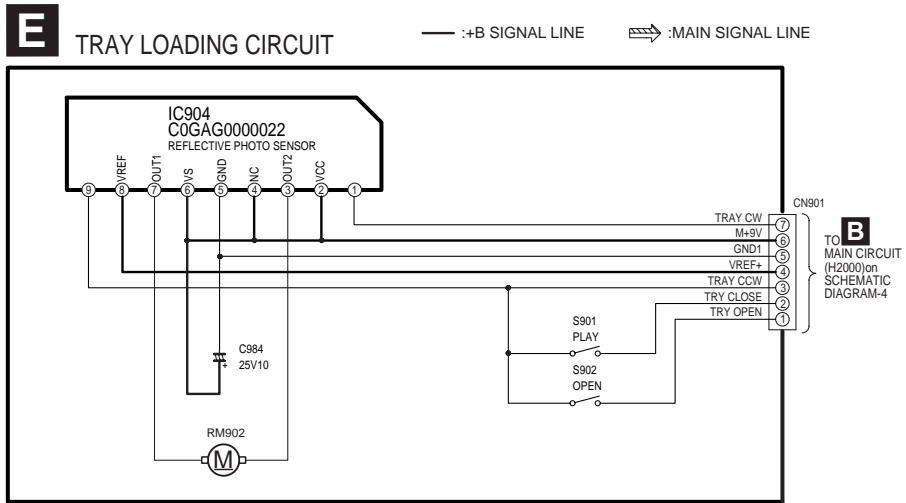
C
TO FL CIRCUIT (CN6008) on SCHEMATIC DIAGRAM-8

TO ACTIVE SUBWOOFER UNIT SB-WA840GC-S(GC/GS) SB-WA840GN-S(GN)

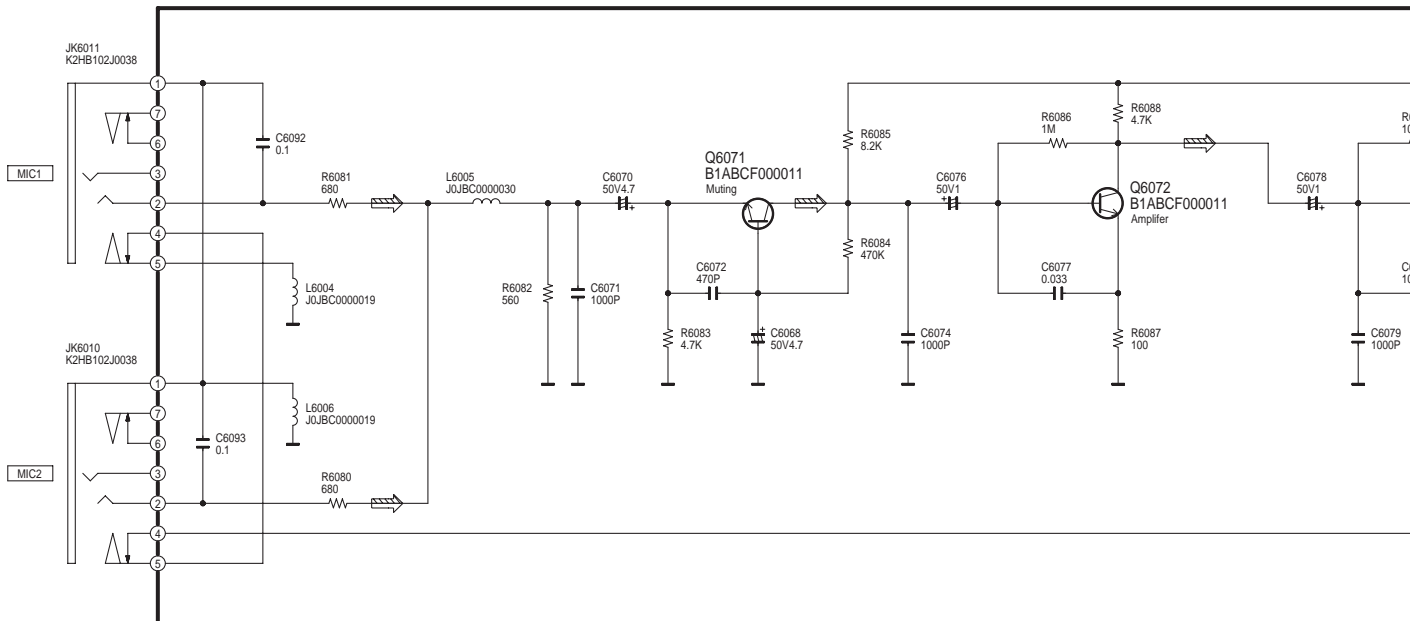


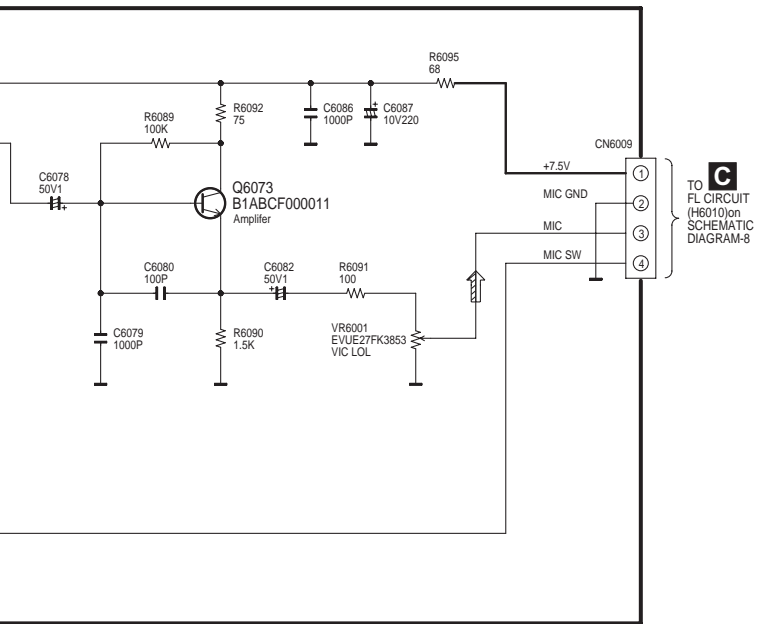
SA-HT840GC/GS/GN FL/VOLUME CIRCUIT

SCHEMATIC DIAGRAM-9



F MIC CIRCUIT(GC/GS ONLY)





SA-HT840GC/GS/GN TRAY LOADING/MIC CIRCUIT