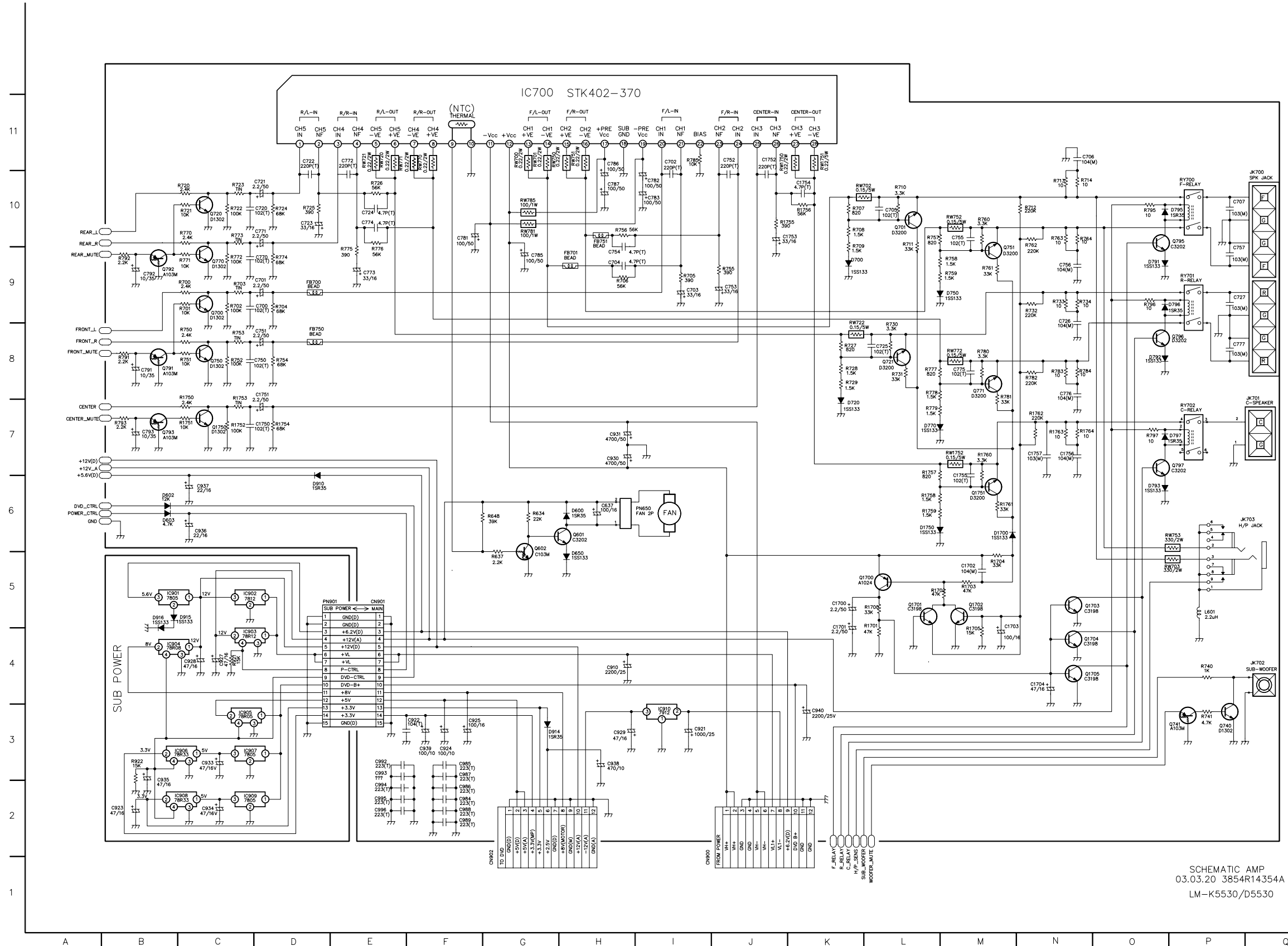


AMP SCHEMATIC DIAGRAM



LOCATION GUIDE

C1700	K5	FB701	H9	R754	D8
C1701	K4	FB750	D8	R755	J9
C1702	M5	FB751	H10	R756	H10
C1703	M5	IC700	G11	R757	L10
C1704	N4	IC901	B5	R758	M9
C1750	D7	IC902	C5	R759	M9
C1751	D8	IC903	C4	R760	M10
C1752	J11	IC904	B4	R761	M9
C1753	J10	IC905	C3	R762	N10
C1754	K10	IC906	B3	R763	N10
C1755	M6	IC907	C3	R764	N10
C1756	N7	IC908	E2	R770	C10
C1757	N7	IC909	C2	R771	C9
C637	H6	IC910	I3	R772	C9
C700	D9	JK700	Q10	R773	C10
C701	D9	JK701	Q7	R774	D9
C702	I11	JK702	Q4	R775	E9
C703	I9	JK703	P6	R776	E9
C704	H9	L601	P5	R777	L8
C705	L10	PN650	I6	R778	L8
C706	N11	PN901	D5	R779	L7
C707	P10	POWER	REL	R780	M8
C720	D10	Q1700	K5	R781	M8
C721	D10	Q1701	L5	R782	N8
C722	D11	Q1702	M5	R783	N8
C723	D10	Q1703	N5	R784	N8
C724	E10	Q1704	N4	R785	I11
C725	L8	Q1705	N4	R791	B8
C726	N9	Q1750	C7	R792	B9
C727	P9	Q1704	M6	R793	B7
C750	D8	Q601	H6	R795	O10
C751	D8	Q602	H6	R796	O9
C752	J11	Q700	C9	R797	O7
C753	J9	Q701	L10	R921	C4
C754	H9	Q720	C10	R922	B3
C755	M10	Q721	L8	REAR_L	A10
C756	N9	Q740	P3	REAR_R	A10
C757	P9	Q741	P3	REAR_L	A10
C770	D9	Q750	C8	RW1750	J11
C771	D10	Q751	M9	RW1751	K11
C772	C9	Q770	C9	RW1752	M7
C773	E9	Q771	M8	RW700	G11
C774	E10	Q791	B8	RW701	G11
C775	M8	Q792	B9	RW702	K10
C776	N8	Q793	B7	RW703	O5
C777	P8	Q795	P10	RW720	E11
C778	F10	Q796	P8	RW721	E11
C782	I10	Q797	P7	RW722	K8
C783	I10	Q797	L5	RW750	G11
C785	G9	R1701	L5	RW751	H11
C786	H11	R1702	L5	RW752	M10
C787	H10	R1703	M5	RW753	O6
C791	B8	R1704	M5	RW770	F11
C792	B9	R1705	M4	RW771	E11
C793	B7	R1750	C8	RW772	M8
C910	H4	R1751	C7	RW781	G10
C921	I3	R1752	C7	RW785	G10
C922	F3	R1753	C7	R700	P10
C923	B2	R1754	D7	R701	P9
C924	F3	R1755	J10	RY702	P7
C925	F3	R1756	K10		
C927	C4	R1757	L7		
C928	C4	R1758	L6		
C929	H5	R1759	L6		
C930	H7	R1760	M7		
C931	H7	R1761	M6		
C933	C3	R1762	N7		
C934	C2	R1763	N7		
C935	B2	R1764	N7		
C936	C6	R1765	N7		
C937	C6	R637	C5		
C938	H3	R648	G6		
C939	F3	R700	C9		
C940	K3	R701	C9		
C984	F2	R702	C9		
C985	F3	R703	C9		
C986	F2	R704	D9		
C987	F3	R705	I9		
C988	F2	R706	H9		
C989	F2	R707	K10		
C992	E3	R708	K10		
C993	E3	R709	K9		
C994	E2	R710	L10		
C995	E2	R711	L10		
C996	E2	R712	N10		
CN900	I1	R713	N10		
CN901	E5	R714	N10		
CN902	G1	R720	C10		
D1700	M6	R721	C10		
D1750	L6	R722	C10		
D600	H6	R723	C10		
D602	B6	R724	D10		
D603	B6	R725	D10		
D650	H5	R726	E10		
D700	K9	R727	K8		
D720	K7	R728	K8		
D750	M9	R729	K8		
D770	L7	R730	L8		
D791	O9	R731	L8		
D792	O8	R732	N9		
D793	O6	R733	N9		
D795	P10	R734	N9		
D796	P9	R740	P4		
D797	P7	R741	P3		
D910	D6	R750	C8		
D914	G3	R751	C8		
D915	C5	R752	C8		
D916	B5	R753	C8		

SCHEMATIC AMP
03.03.20 3854R14.354A
LM-K5530/D5530