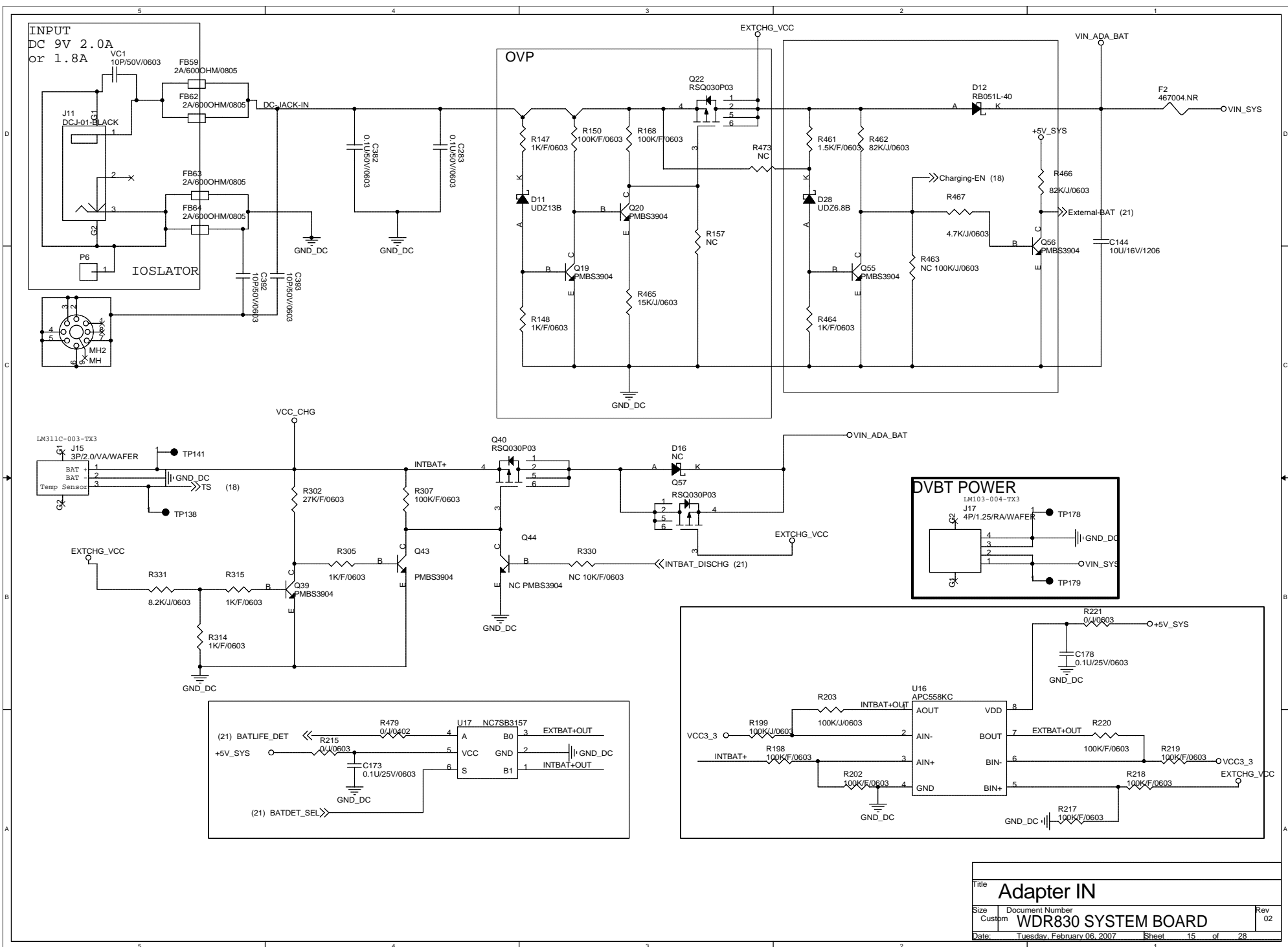


7.0 ELECTRICAL DIAGRAM



Title			Adapter IN		
Size	Document Number		WDR830 SYSTEM BOARD		Rev
Custom					02
Date:	Tuesday, February 06, 2007	Sheet	15	of	28