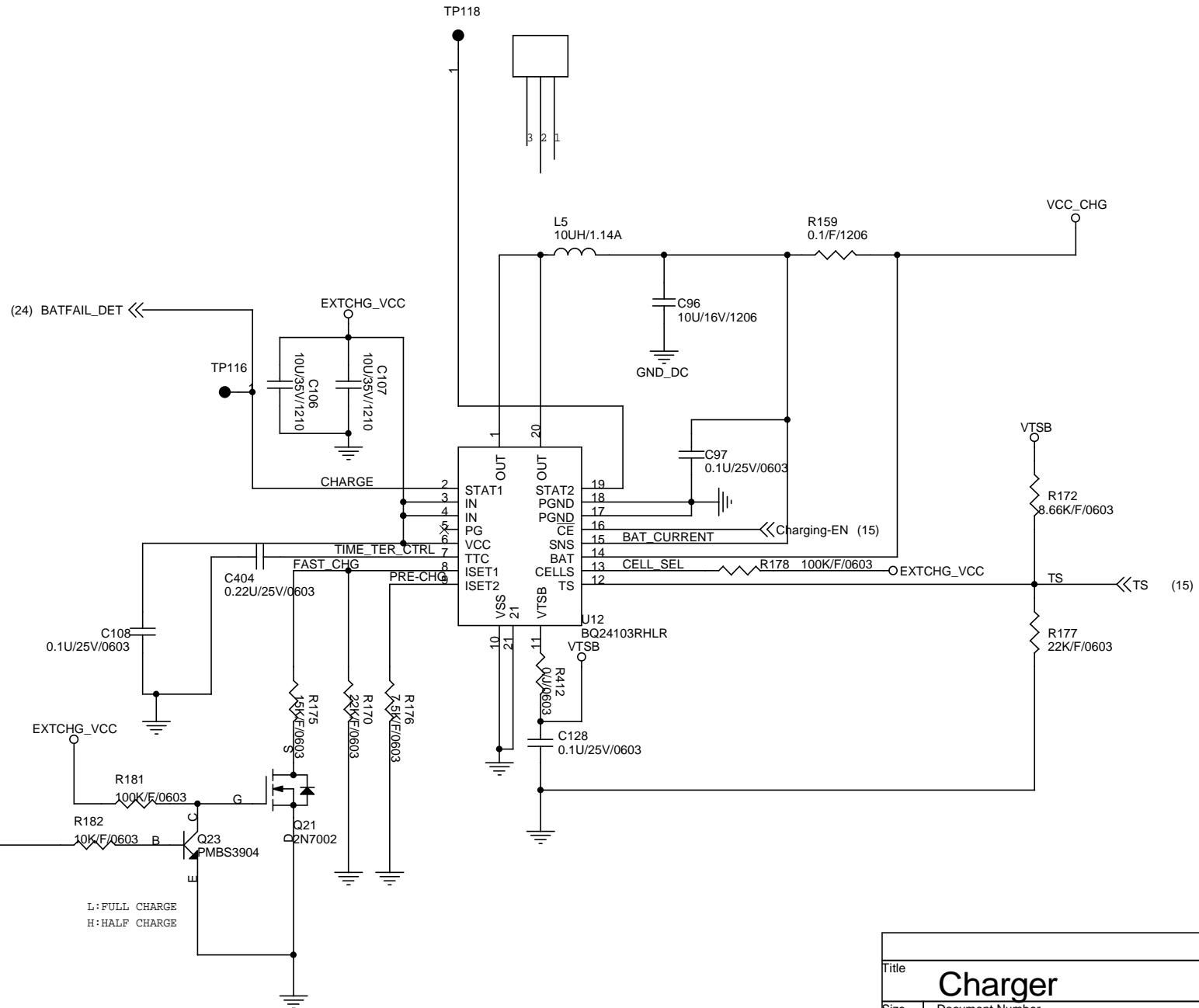


7.0 ELECTRICAL DIAGRAM



L: FULL CHARGE
H: HALF CHARGE

Title		
Charger		
Size A4	Document Number WDR830 SYSTEM BOARD	Rev 02
Date:	Tuesday, February 06, 2007	Sheet 18 of 28