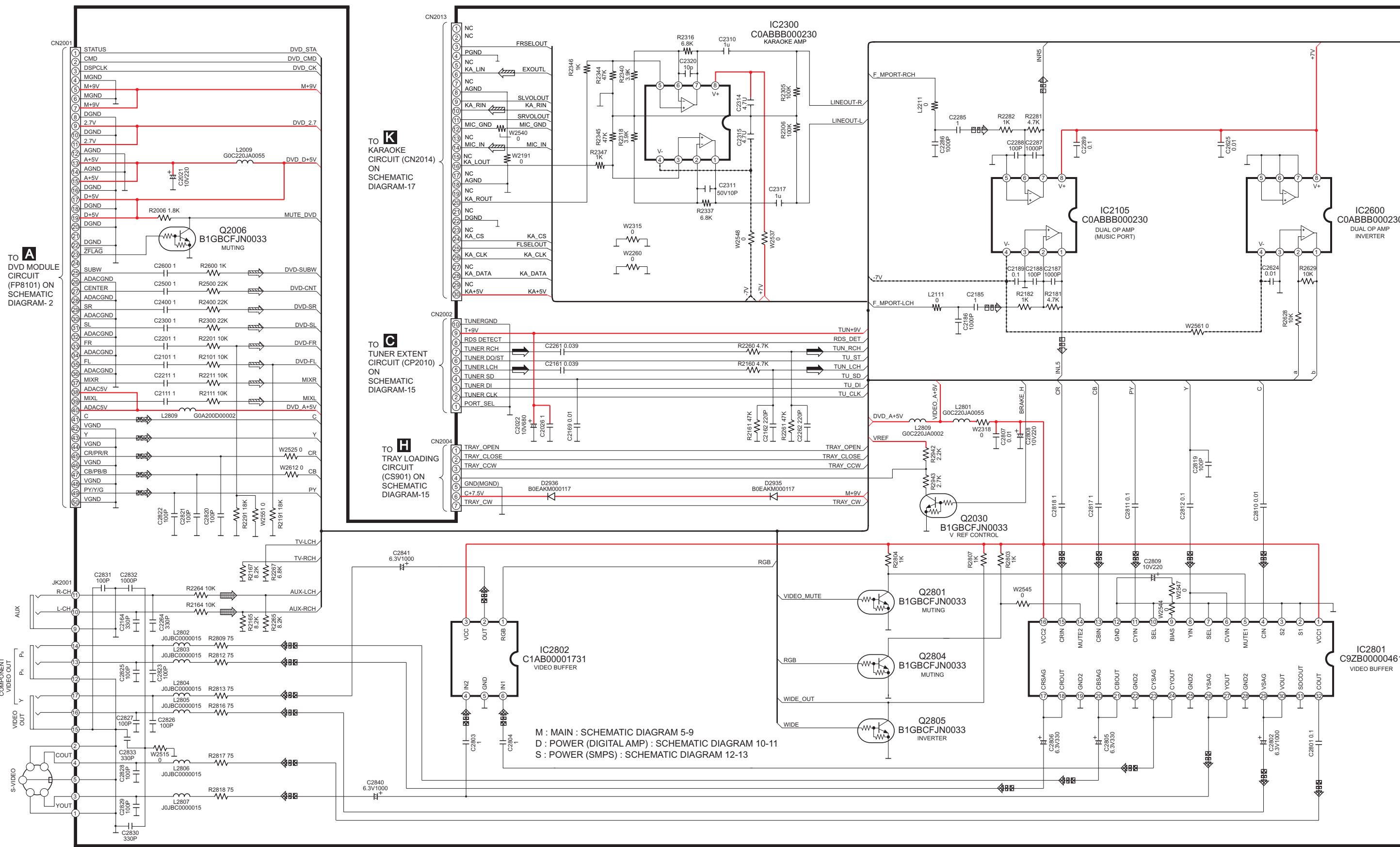


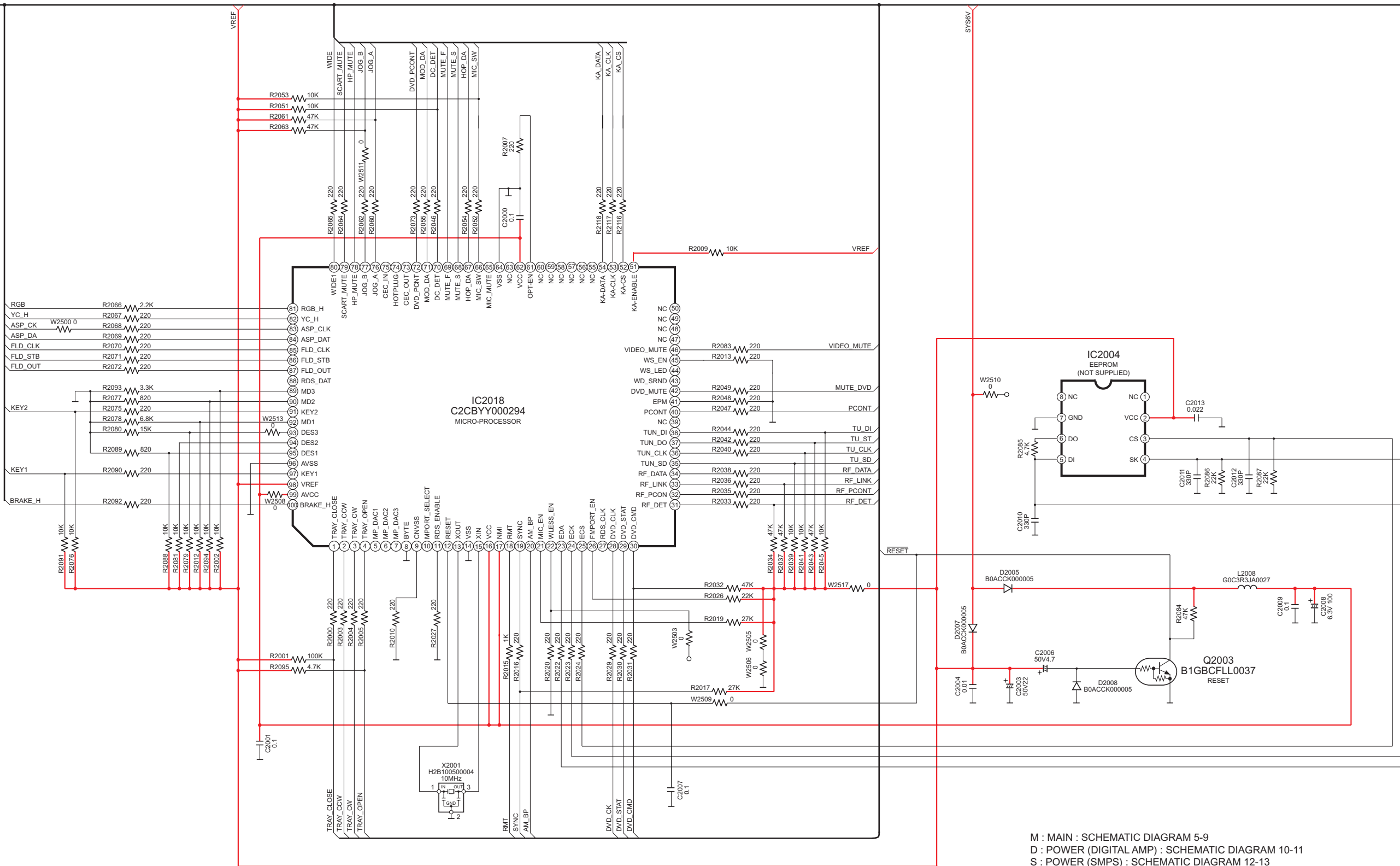
B MAIN CIRCUIT

—+B SIGNAL LINE —-B SIGNAL LINE [Symbol] : AUX SIGNAL LINE [Symbol] : MUSIC PORT SIGNAL LINE [Symbol] : DVD VIDEO SIGNAL LINE [Symbol] : FM /AM SIGNAL LINE

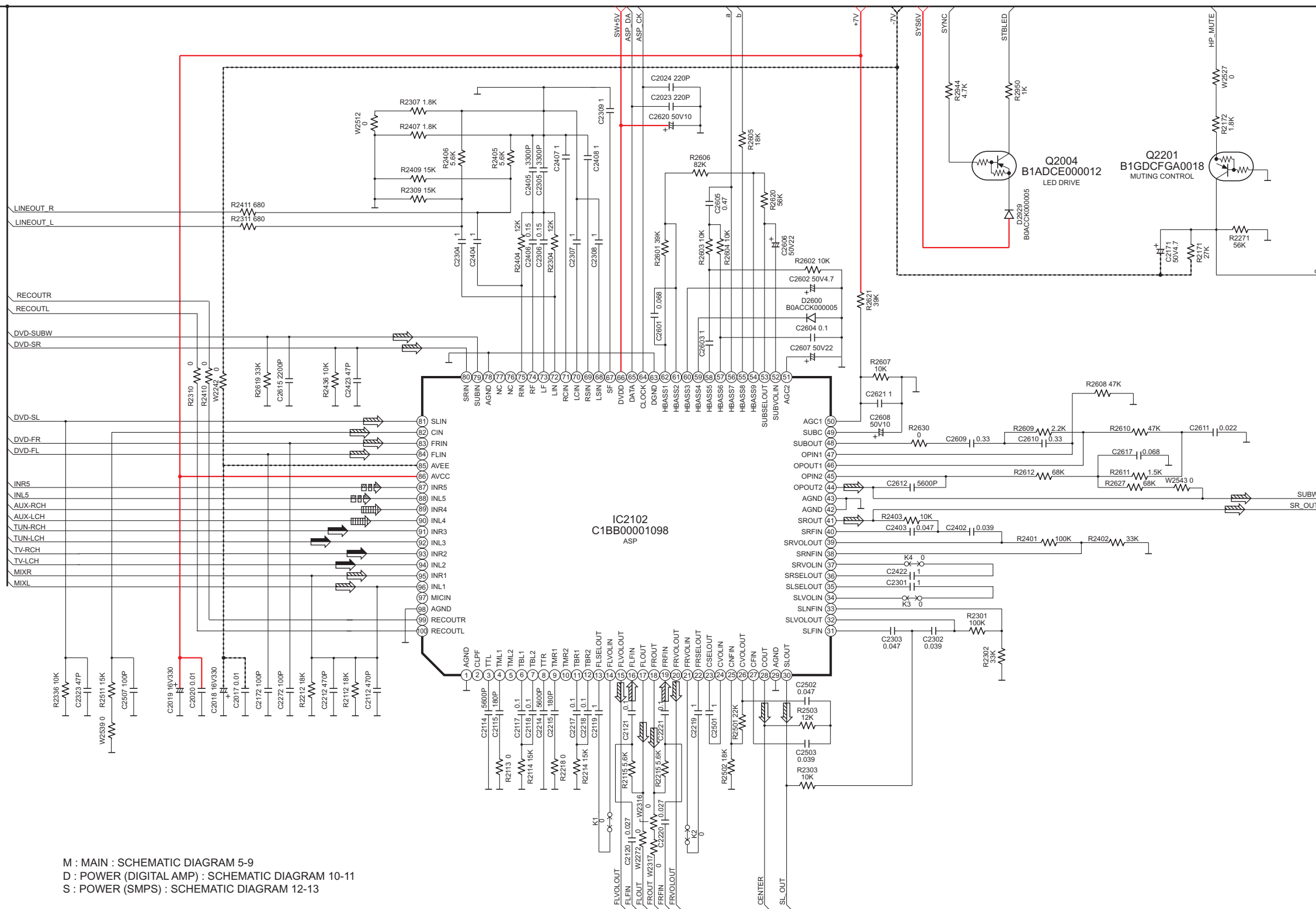


M : MAIN : SCHEMATIC DIAGRAM 5-9
D : POWER (DIGITAL AMP) : SCHEMATIC DIAGRAM 10-11
S : POWER (SMPS) : SCHEMATIC DIAGRAM 12-13

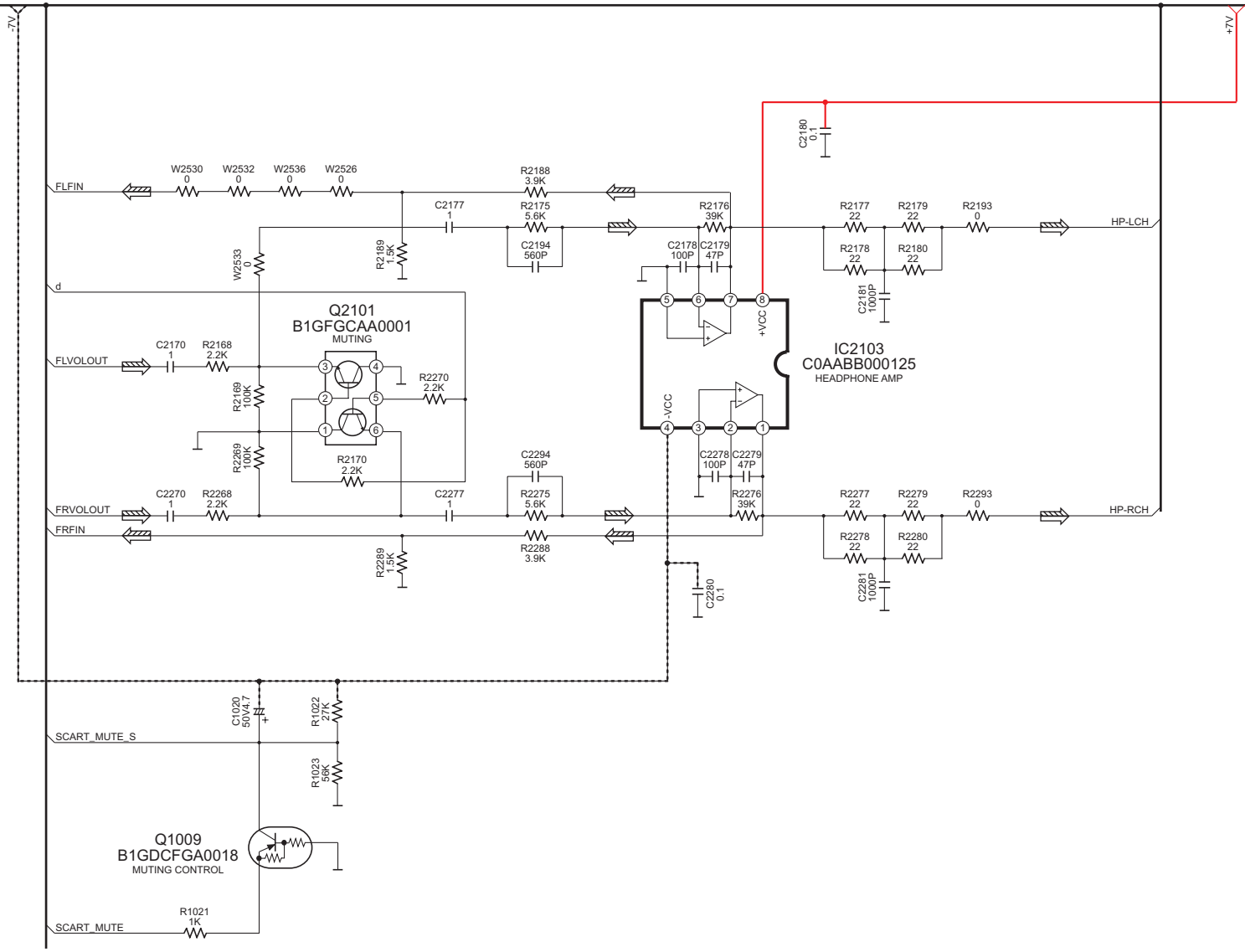
— :+B SIGNAL LINE



M : MAIN : SCHEMATIC DIAGRAM 5-9
 D : POWER (DIGITAL AMP) : SCHEMATIC DIAGRAM 10-11
 S : POWER (SMPS) : SCHEMATIC DIAGRAM 12-13

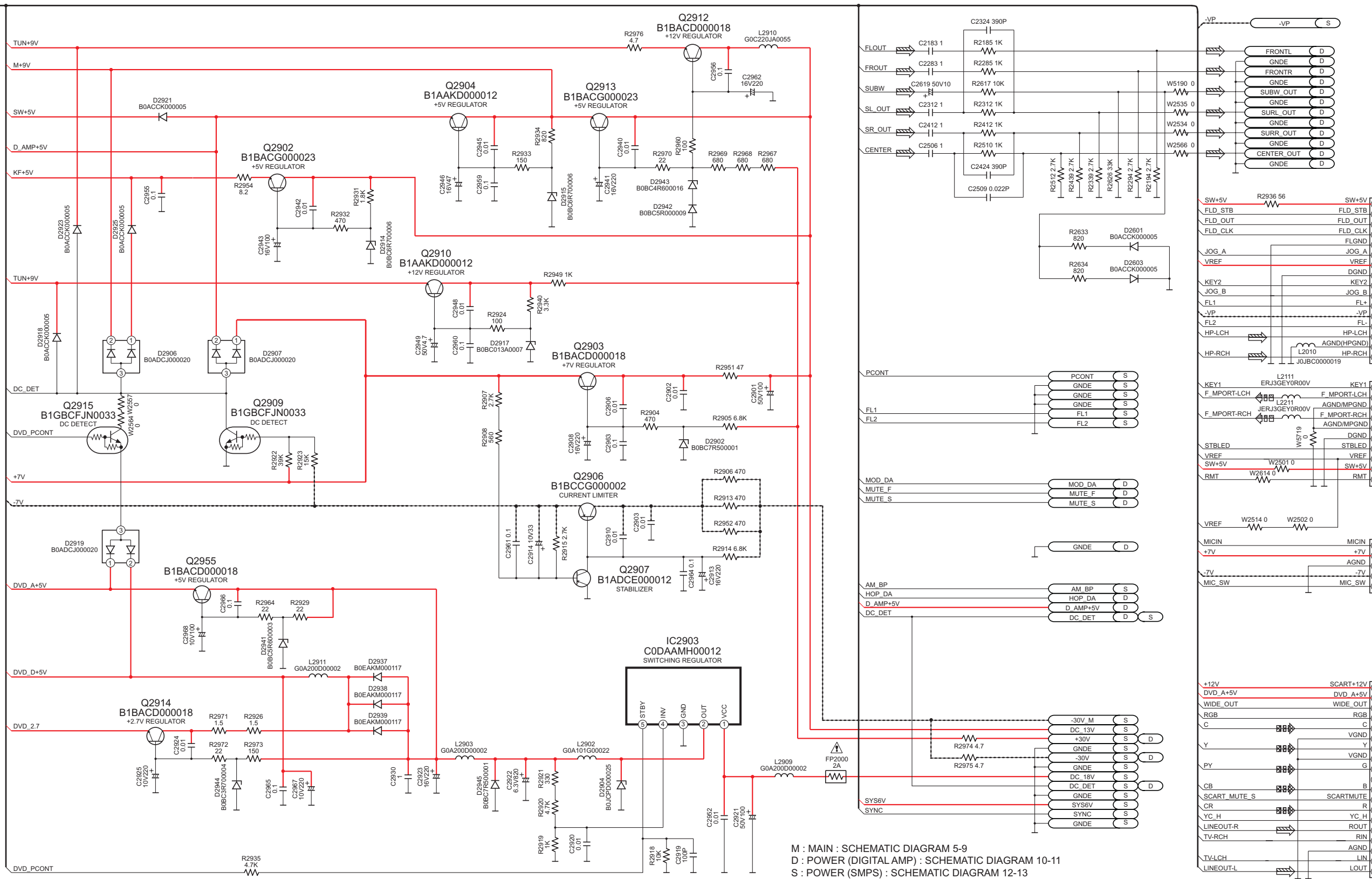


M : MAIN : SCHEMATIC DIAGRAM 5-9
 D : POWER (DIGITAL AMP) : SCHEMATIC DIAGRAM 10-11
 S : POWER (SMPS) : SCHEMATIC DIAGRAM 12-13



○-W-○ W15 0 ...EE
 ○-W-○ W13 0 ...HT543

M : MAIN : SCHEMATIC DIAGRAM 5-9
 D : POWER (DIGITAL AMP) : SCHEMATIC DIAGRAM 10-11
 S : POWER (SMPS) : SCHEMATIC DIAGRAM 12-13



M : MAIN : SCHEMATIC DIAGRAM 5-9
 D : POWER (DIGITAL AMP) : SCHEMATIC DIAGRAM 10-11
 S : POWER (SMPS) : SCHEMATIC DIAGRAM 12-13

E TO FL CIRCUIT (CN6901) ON SCHEMATIC DIAGRAM-14

F TO MUSIC PORT CIRCUIT (CN6902) ON SCHEMATIC DIAGRAM-15

I TO MIC CIRCUIT (H6903) ON SCHEMATIC DIAGRAM-15

J TO SCART CIRCUIT (CN1001) ON SCHEMATIC DIAGRAM-16