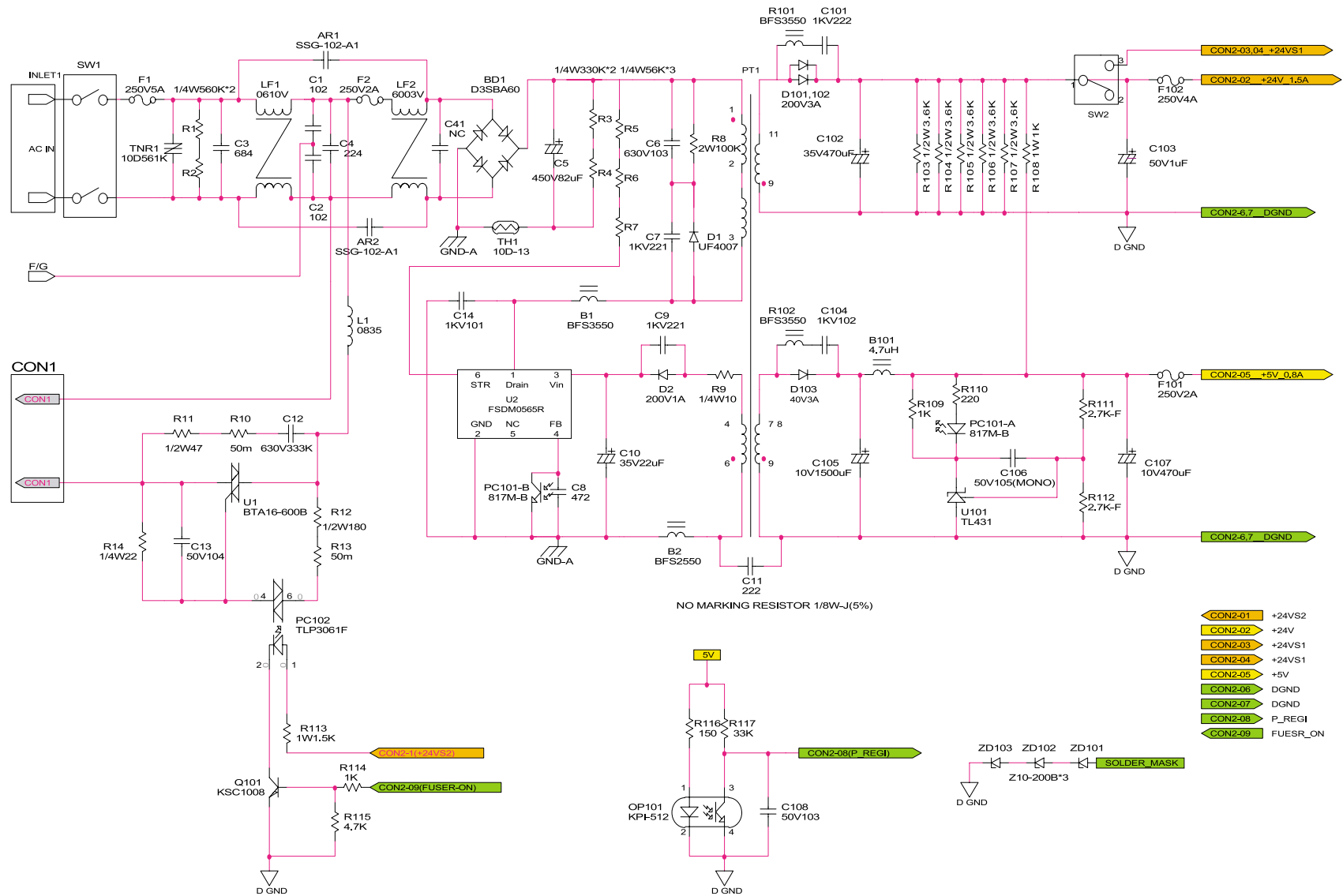
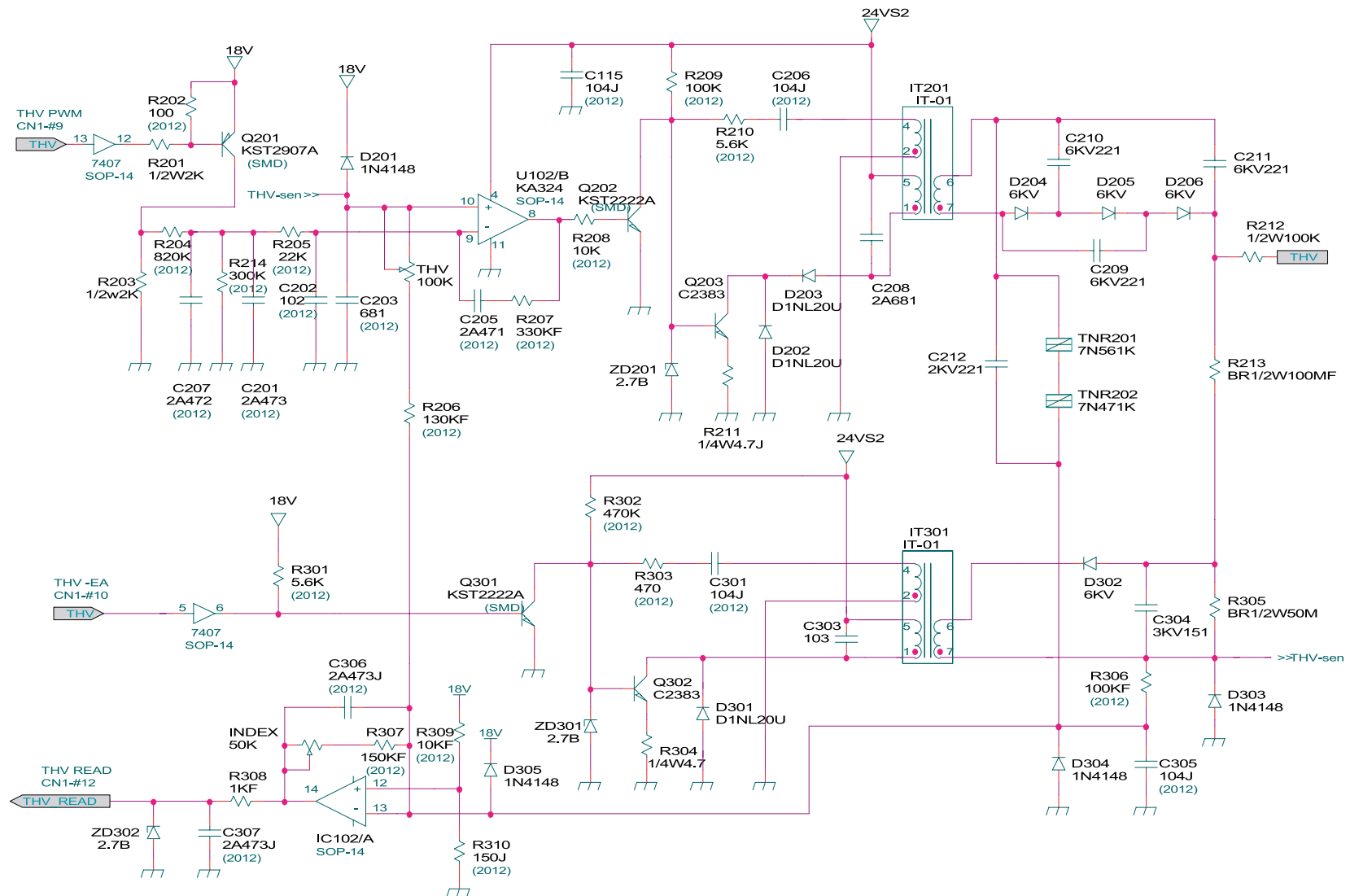


10-3 SMPS Circuit Diagram



- CON2-01 +24VS2
- CON2-02 +24V
- CON2-03 +24VS1
- CON2-04 +24VS1
- CON2-05 +5V
- CON2-06 DGND
- CON2-07 DGND
- CON2-08 P_REGI
- CON2-09 FUESR_ON

10-4 HVPS Circuit Diagram(1/3)



HVPS Circuit Diagram(2/3)

