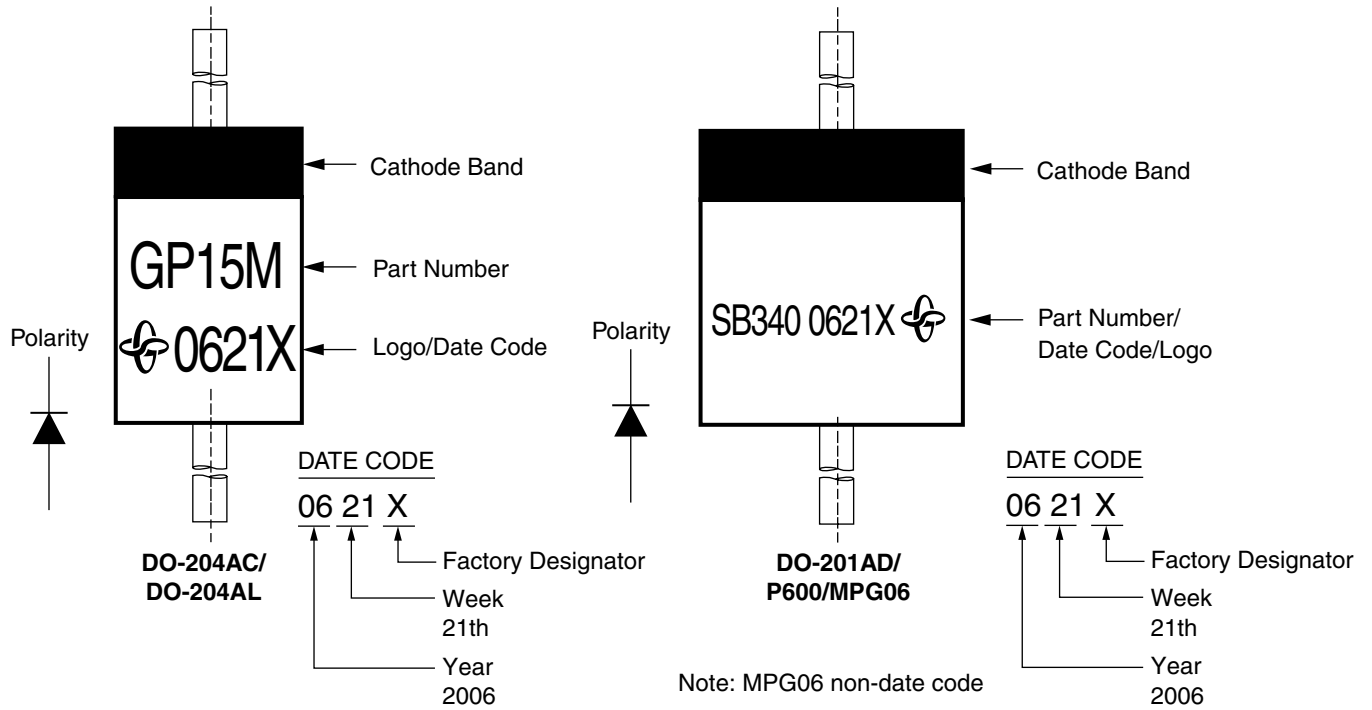
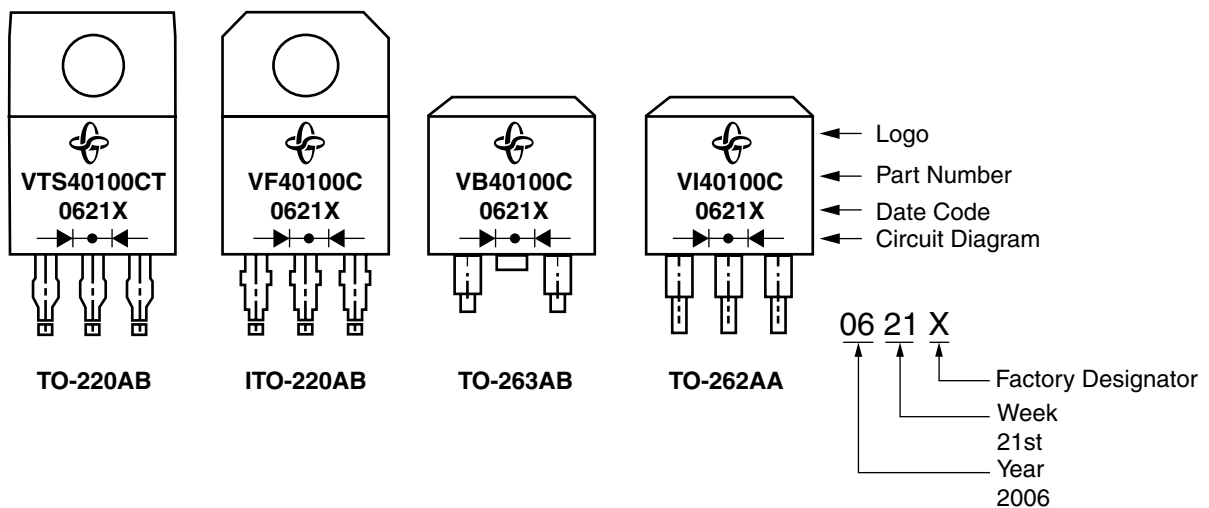


PDD Marking

AXIAL MARKING

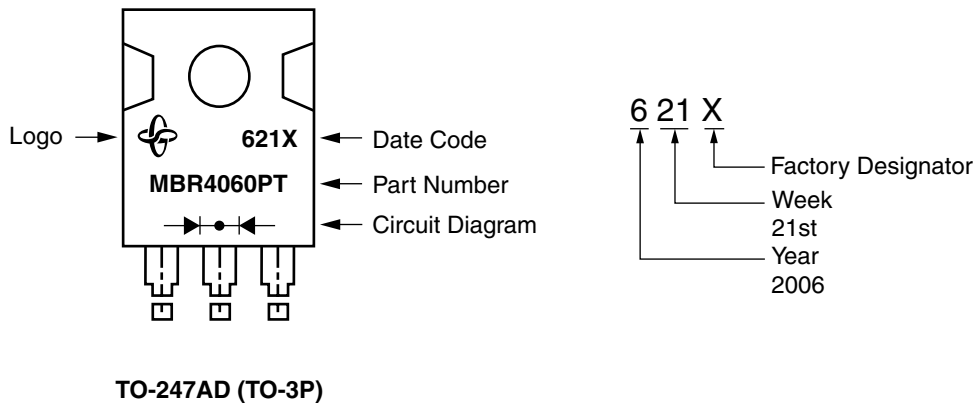
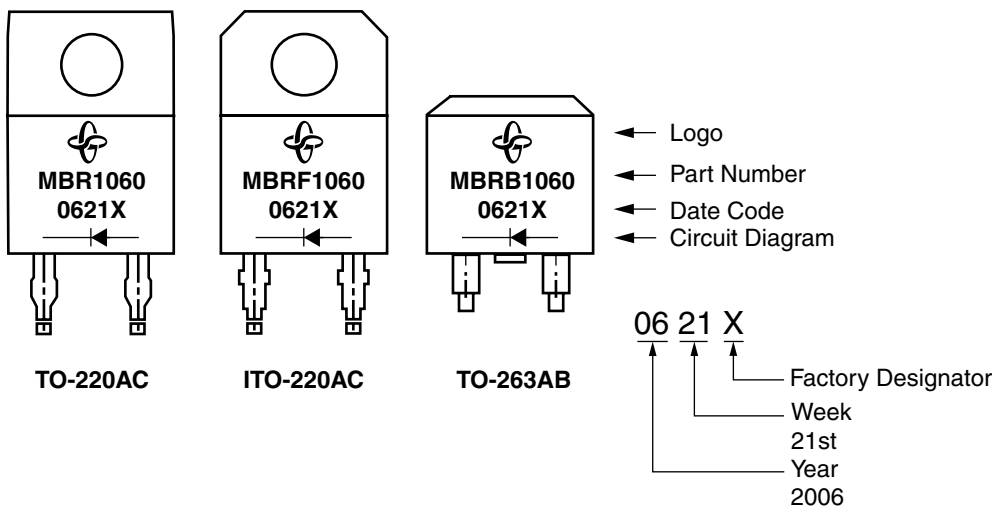
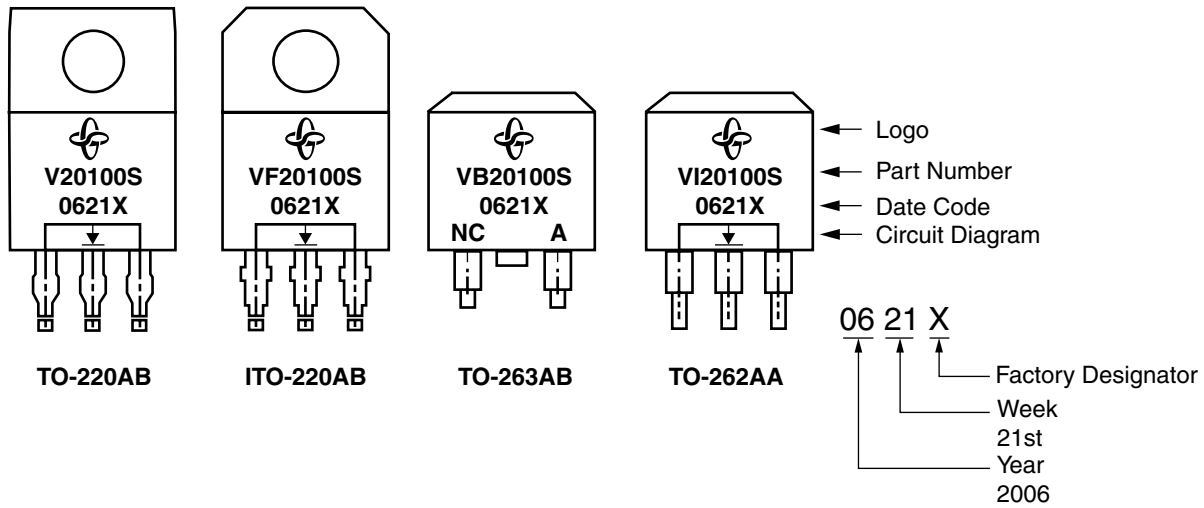


POWER PACK MARKING



PDD Marking

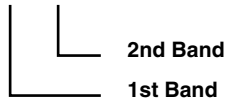
Vishay General Semiconductor



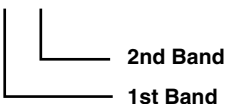
PLASTIC MELF AND MINIMELF MARKING

Marking

MELF
2.5 mm x 4.9 mm



MiniMELF
1.6 mm x 3.5 mm

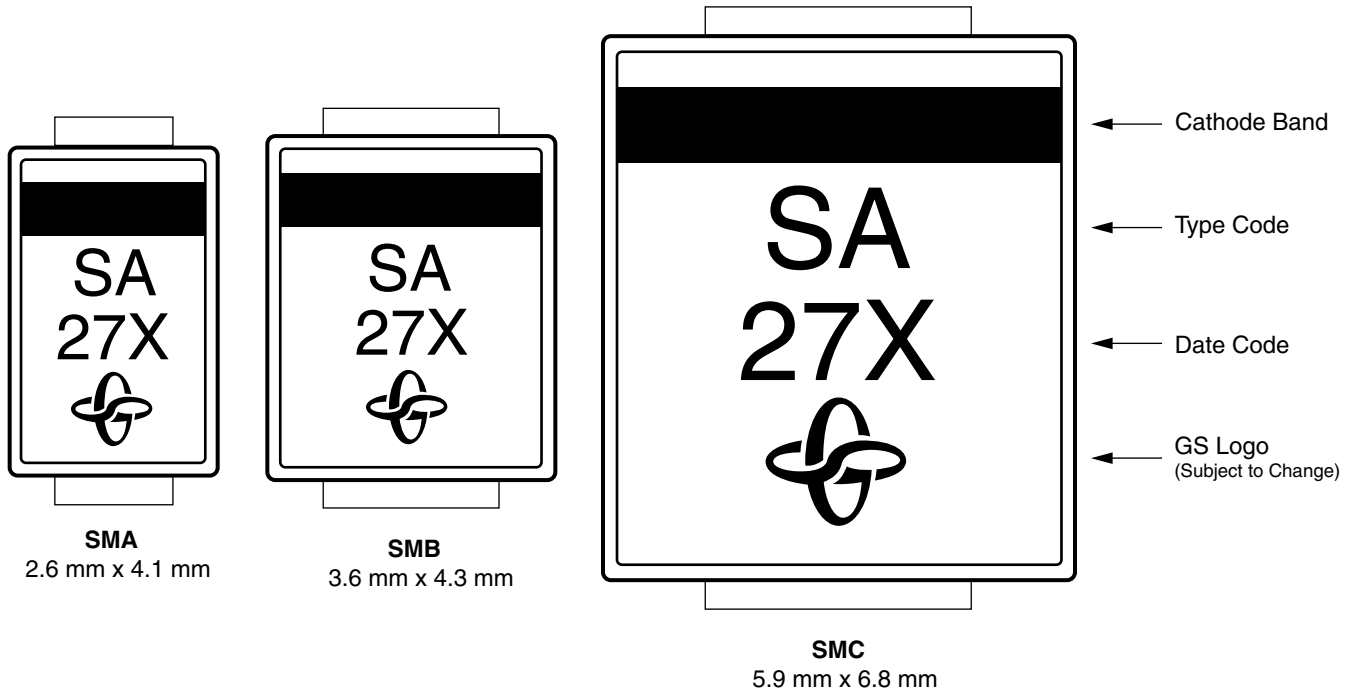


MELF MARKING

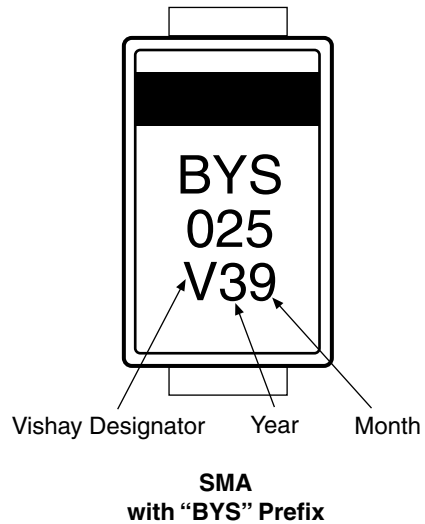
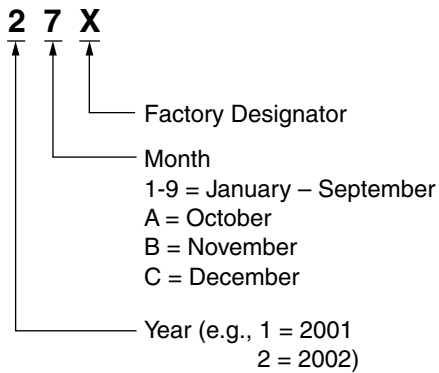
TYPE	1ST BAND	2ND BAND	TYPE	1ST BAND	2ND BAND
BYM10-100	white	red	EGL41D	green	orange
BYM10-1000	white	violet	EGL41F	green	brown
BYM10-200	white	orange	EGL41G	green	yellow
BYM10-400	white	yellow	GL41A	white	gray
BYM10-50	white	gray	GL41B	white	red
BYM10-600	white	green	GL41D	white	orange
BYM10-800	white	blue	GL41G	white	yellow
BYM11-100	red	red	GL41J	white	green
BYM11-1000	red	violet	GL41K	white	blue
BYM11-200	red	orange	GL41M	white	violet
BYM11-400	red	yellow	GL41T	white	white
BYM11-50	red	gray	GL41Y	white	brown
BYM11-600	red	green	GLL47xx	red	
BYM11-800	red	blue	RGL41A	red	gray
BYM12-100	green	red	RGL41B	red	red
BYM12-150	green	pink	RGL41D	red	orange
BYM12-200	green	orange	RGL41G	red	yellow
BYM12-300	green	brown	RGL41J	red	green
BYM12-400	green	yellow	RGL41K	red	blue
BYM12-50	green	gray	RGL41M	red	violet
BYM13-20	orange	gray	SGL41-20	orange	gray
BYM13-30	orange	red	SGL41-30	orange	red
BYM13-40	orange	orange	SGL41-40	orange	orange
BYM13-50	orange	yellow	SGL41-50	orange	yellow
BYM13-60	orange	green	SGL41-60	orange	green
EGL41A	green	gray	TGL41-xx	blue	
EGL41B	green	red	TGL41-	yellow	
EGL41C	green	pink	TGL41-xxx	red	

MINIMELF MARKING

TYPE	1ST BAND	2ND BAND	TYPE	1ST BAND	2ND BAND
BYM10-100	white	red	EGL41D	green	orange
BYM10-1000	white	violet	EGL41F	green	brown
BYM10-200	white	orange	EGL41G	green	yellow
BYM10-400	white	yellow	GL41A	white	gray
BYM10-50	white	gray	GL41B	white	red
BYM10-600	white	green	GL41D	white	orange
BYM10-800	white	blue	GL41G	white	yellow
BYM11-100	red	red	GL41J	white	green
BYM11-1000	red	violet	GL41K	white	blue
BYM11-200	red	orange	GL41M	white	violet
BYM11-400	red	yellow	GL41T	white	white
BYM11-50	red	gray	GL41Y	white	brown



DATE CODE





SMA (DO-214AC)

TYPE	MARKING UNI-DIRECTIONAL	MARKING BI-DIRECTIONAL
B120	B12	
B130	B13	
B140	B14	
B150	B15	
B160	B16	
B230LA	B23	
B240A	B24	
B330LA	B33	
B340A	B34	
BYG10D	BYG10D	
BYG10G	BYG10G	
BYG10J	BYG10J	
BYG10K	BYG10K	
BYG10M	BYG10M	
BYG10Y	BYG10Y	
BYG20D	BYG20D	
BYG20G	BYG20G	
BYG20J	BYG20J	
BYG21K	BYG21K	
BYG21M	BYG21M	
BYG22A	BYG22A	
BYG22B	BYG22B	
BYG22D	BYG22D	
BYG23M	BYG23M	
BYG24D	BYG24D	
BYG24G	BYG24G	
BYG24J	BYG24J	
BYS10-25	BYS025	
BYS10-35	BYS035	
BYS10-45	BYS045	
BYS11-90	BYS109	
BYS12-90	BYS209	
ES1A	EA	
ES1B	EB	
ES1C	EC	
ES1D	ED	
ES1HB	EHB	
ESH1C	EHC	
ESH1D	EHD	
P4SMA6.8A	6V8A	6V8C
P4SMA7.5A	7V5A	7V5C
P4SMA8.2A	8V2A	8V2C
P4SMA9.1A	9V1A	9V1C
P4SMA10A	10A	10C
P4SMA11A	11A	11C
P4SMA12A	12A	12C
P4SMA13A	13A	13C
P4SMA15A	15A	15C
P4SMA16A	16A	16C
P4SMA18A	18A	18C
P4SMA20A	20A	20C
P4SMA22A	22A	22C
P4SMA24A	24A	24C
P4SMA27A	27A	27C

TYPE	MARKING UNI-DIRECTIONAL	MARKING BI-DIRECTIONAL
P4SMA30A	30A	30C
P4SMA33A	33A	33C
P4SMA36A	36A	36C
P4SMA39A	39A	39C
P4SMA43A	43A	43C
P4SMA47A	47A	47C
P4SMA51A	51A	51C
P4SMA56A	56A	56C
P4SMA62A	62A	62C
P4SMA68A	68A	68C
P4SMA75A	75A	75C
P4SMA82A	82A	82C
P4SMA91A	91A	91C
P4SMA100A	100A	100C
P4SMA110A	110A	110C
P4SMA120A	120A	120C
P4SMA130A	130A	130C
P4SMA150A	150A	150C
P4SMA160A	160A	160C
P4SMA170A	170A	170C
P4SMA180A	180A	180C
P4SMA200A	200A	200C
P4SMA220A	220A	220C
P4SMA250A	250A	-
P4SMA300A	300A	-
P4SMA350A	350A	-
P4SMA400A	400A	-
P4SMA440A	440A	-
P4SMA480A	480A	-
P4SMA510A	510A	-
P4SMA540A	540A	-
RS1A	RA	
RS1B	RB	
RS1D	RD	
RS1G	RG	
RS1J	RJ	
RS1K	RK	
S1A	SA	
S1B	SB	
S1BA	BA	
S1D	SD	
S1DA	DA	
S1G	SG	
S1GA	GA	
S1J	SJ	
S1JA	JA	
S1K	SK	
S1KA	KA	
S1M	SM	
S1MA	MA	
SA2B	2B	
SA2G	2G	
SA2J	2J	
SA2K	2K	

TYPE	MARKING UNI-DIRECTIONAL	MARKING BI-DIRECTIONAL
SA2M	2M	
SL12	SL2	
SL13	SL3	
SM2S10A	2AP	
SMA5J5.0	5AD	5AD
SMA5J5.0A	5AE	5AE
SMA5J6.0	5AF	5AF
SMA5J6.0A	5AG	5AG
SMA5J6.5	5AH	5AH
SMA5J6.5A	5AK	5AK
SMA5J7.0	5AL	5AL
SMA5J7.0A	5AM	5AM
SMA5J7.5	5AN	5AN
SMA5J7.5A	5AP	5AP
SMA5J8.0	5AQ	5AQ
SMA5J8.0A	5AR	5AR
SMA5J8.5	5AS	5AS
SMA5J8.5A	5AT	5AT
SMA5J9.0	5AU	5AU
SMA5J9.0A	5AV	5AV
SMA5J10	5AW	5AW
SMA5J10A	5AX	5AX
SMA5J11	5AY	5AY
SMA5J11A	5AZ	5AZ
SMA5J12	5BD	5BD
SMA5J12A	5BE	5BE
SMA5J13	5BF	5BF
SMA5J13A	5BG	5BG
SMA5J14	5BH	5BH
SMA5J14A	5BK	5BK
SMA5J15	5BL	5BL
SMA5J15A	5BM	5BM
SMA5J16	5BN	5BN
SMA5J16A	5BP	5BP
SMA5J17	5BQ	5BQ
SMA5J17A	5BR	5BR
SMA5J18	5BS	5BS
SMA5J18A	5BT	5BT
SMA5J20	5BU	5BU
SMA5J20A	5BV	5BV
SMA5J22	5BW	5BW
SMA5J22A	5BX	5BX
SMA5J24	5BY	5BY
SMA5J24A	5BZ	5BZ
SMA5J26	5CD	5CD
SMA5J26A	5CE	5CE
SMA5J28	5CF	5CF
SMA5J28A	5CG	5CG
SMA5J30	5CH	5CH
SMA5J30A	5CK	5CK
SMA5J33	5CL	5CL
SMA5J33A	5CM	5CM
SMA5J36	5CN	5CN
SMA5J36A	5CP	5CP



SMA (DO-214AC) - continued

TYPE	MARKING UNI- DIRECTIONAL	MARKING BI- DIRECTIONAL
SMA5J40	5CQ	5CQ
SMA5J40A	5CR	5CR
SMAJ10	AW	VW
SMAJ100	RY	ZY
SMAJ100A	RZ	ZZ
SMAJ10A	AX	WX
SMAJ11	AY	WY
SMAJ110	VD	VD
SMAJ110A	SE	VE
SMAJ11A	AZ	WZ
SMAJ12	BD	XD
SMAJ120	SF	VF
SMAJ120A	VG	VG
SMAJ12A	BE	XE
SMAJ13	BF	XF
SMAJ130	SH	VH
SMAJ130A	VK	VK
SMAJ13A	BG	XG
SMAJ14	BH	XH
SMAJ14A	BK	XK
SMAJ15	BL	XL
SMAJ150	SL	VL
SMAJ150A	VM	VM
SMAJ15A	BM	XM
SMAJ16	BN	XN
SMAJ160	SN	VN
SMAJ160A	SP	VP
SMAJ16A	BP	XP
SMAJ17	BQ	XQ
SMAJ170	SQ	VQ
SMAJ170A	SR	VR
SMAJ17A	BR	XR
SMAJ18	BS	XS
SMAJ18A	BT	XT
SMAJ188	ST	VT
SMAJ188A	SS	VS
SMAJ20	BU	XU
SMAJ20A	BV	XV
SMAJ22	BW	XW
SMAJ22A	BX	XX
SMAJ24	BY	XY
SMAJ24A	BZ	XZ
SMAJ26	CD	YD
SMAJ26A	CE	YE
SMAJ28	CF	YF
SMAJ28A	CG	YG
SMAJ30	CH	YH
SMAJ30A	CK	YK
SMAJ33	CL	YL
SMAJ33A	CM	YM
SMAJ36	CN	YN
SMAJ36A	CP	YP
SMAJ40	CQ	YQ
SMAJ40A	CR	YR

TYPE	MARKING UNI- DIRECTIONAL	MARKING BI- DIRECTIONAL
SMAJ43	CS	YS
SMAJ43A	CT	YT
SMAJ45	CU	YU
SMAJ45A	CV	YV
SMAJ48	CW	YW
SMAJ48A	CX	YX
SMAJ5.0	AD	WD
SMAJ5.0A	AE	WE
SMAJ51	CY	YY
SMAJ51A	CZ	YZ
SMAJ530	HD	
SMAJ54	RD	ZD
SMAJ54A	RE	ZE
SMAJ550	SB	
SMAJ58	RF	ZF
SMAJ58A	RG	ZG
SMAJ6.0	AF	WF
SMAJ6.0A	AG	WG
SMAJ6.5	AH	WH
SMAJ6.5A	AK	WK
SMAJ60	RH	ZH
SMAJ60A	RK	ZK
SMAJ64	RL	ZL
SMAJ64A	RM	ZM
SMAJ7.0	AL	WL
SMAJ7.0A	AM	WM
SMAJ7.5	AN	WN
SMAJ7.5A	AP	WP
SMAJ70	RN	ZN
SMAJ70A	RP	ZP
SMAJ75	RQ	ZQ
SMAJ75A	RR	ZR
SMAJ78	RS	ZS
SMAJ78A	RT	ZT
SMAJ8.0	AQ	WQ
SMAJ8.0A	AR	WR
SMAJ8.5	AS	WS
SMAJ8.5A	AT	WT
SMAJ85	RU	ZU
SMAJ85A	RV	ZV
SMAJ9.0	AU	WU
SMAJ9.0A	AV	WV
SMAJ90	RW	ZW
SMAJ90A	RX	ZX
SS12	S2	
SS13	S3	
SS14	S4	
SS15	S5	
SS16	S6	
SS1H9	S9	
SS1H10	S10	
SS22S	22S	
SS23S	23S	
SS24S	24S	

TYPE	MARKING UNI- DIRECTIONAL	MARKING BI- DIRECTIONAL
SSA23L	23L	
SSA24	S24	
SSA33L	33L	
SSA34	S34	
TPSMA10	ANP	
TPSMA10A	APP	
TPSMA11	AQP	
TPSMA11A	ARP	
TPSMA12	ASP	
TPSMA12A	ATP	
TPSMA13	AUP	
TPSMA13A	AVP	
TPSMA15	AWP	
TPSMA15A	AXP	
TPSMA16	AYP	
TPSMA16A	AZP	
TPSMA18	BDP	
TPSMA18A	BEP	
TPSMA20	BFP	
TPSMA20A	BGP	
TPSMA22	BHP	
TPSMA22A	BKP	
TPSMA24	BLP	
TPSMA24A	BMP	
TPSMA27	BNP	
TPSMA27A	BPP	
TPSMA30	BQP	
TPSMA30A	BRP	
TPSMA33	BSP	
TPSMA33A	BTP	
TPSMA36	BUP	
TPSMA36A	BVP	
TPSMA39	BWP	
TPSMA39A	BXP	
TPSMA43	BYP	
TPSMA43A	BZP	
TPSMA6.8	ADP	
TPSMA6.8A	AEP	
TPSMA7.5	AFP	
TPSMA7.5A	AGP	
TPSMA8.2	AHP	
TPSMA8.2A	AKP	
TPSMA9.1	ALP	
TPSMA9.1A	AMP	
US1A	UA	
US1B	UB	
US1D	UD	
US1G	UG	
US1J	UJ	
US1K	UK	
US1M	UM	



SMB (DO-214AA)

TYPE	MARKING UNI-DIRECTIONAL	MARKING BI-DIRECTIONAL
ES2A	EA	
ES2B	EB	
ES2C	EC	
ES2D	ED	
ES2F	EF	
ES2G	EG	
ESH2B	EHB	
ESH2C	EHC	
ESH2D	EHD	
MURS120	MD	
MURS140	MG	
MURS160	MJ	
MURS240	MG	
MURS260	MJ	
P6SMB6.8A	6V8A	6V8C
P6SMB7.5A	7V5A	7V5C
P6SMB8.2A	8V2A	8V2C
P6SMB9.1A	9V1A	9V1C
P6SMB10A	10A	10C
P6SMB11A	11A	11C
P6SMB12A	12A	12C
P6SMB13A	13A	13C
P6SMB15A	15A	15C
P6SMB16A	16A	16C
P6SMB18A	18A	18C
P6SMB20A	20A	20C
P6SMB22A	22A	22C
P6SMB24A	24A	24C
P6SMB27A	27A	27C
P6SMB30A	30A	30C
P6SMB33A	33A	33C
P6SMB36A	36A	36C
P6SMB39A	39A	39C
P6SMB43A	43A	43C
P6SMB47A	47A	47C
P6SMB51A	51A	51C
P6SMB56A	56A	56C
P6SMB62A	62A	62C
P6SMB68A	68A	68C
P6SMB75A	75A	75C
P6SMB82A	82A	82C
P6SMB91A	91A	91C
P6SMB100A	100A	100C
P6SMB110A	110A	110C
P6SMB120A	120A	120C
P6SMB130A	130A	130C
P6SMB150A	150A	150C
P6SMB160A	160A	160C
P6SMB170A	170A	170C
P6SMB180A	180A	180C
P6SMB200A	200A	200C
P6SMB220A	220A	220C
P6SMB250A	250A	-
P6SMB300A	300A	-
P6SMB350A	350A	-
P6SMB400A	400A	-
P6SMB440A	440A	-

TYPE	MARKING UNI-DIRECTIONAL	MARKING BI-DIRECTIONAL
P6SMB480A	480A	-
P6SMB510A	510A	-
P6SMB540A	540A	-
RS2A	RA	
RS2B	RB	
RS2D	RD	
RS2G	RG	
RS2J	RJ	
RS2K	RK	
S2A	SA	
S2B	SB	
S2D	SD	
S2G	SG	
S2J	SJ	
S2K	SK	
S2M	SM	
SL22	SL2	
SL23	SL3	
SM6T100A	NV7	NV7
SM6T10A	KT7	AT7
SM6T12A	KX7	AX7
SM6T13A	KZ7	AZ7
SM6T150A	PK7	PK7
SM6T15A	LG7	LG7
SM6T18A	LM7	BM7
SM6T200A	PR7	PR7
SM6T220A	PR8	PR8
SM6T22A	LT7	BT7
SM6T24A	LV7	LV7
SM6T27A	LX7	BX7
SM6T30A	ME7	CE7
SM6T33A	MG7	MG7
SM6T36A	MK7	CK7
SM6T39A	MM7	CM7
SM6T68A	NG7	NG7
SM6T6V8A	KE7	KE7
SM6T7V5A	KK7	AK7
SMB10J5.0	1AD	-
SMB10J5.0A	1AE	-
SMB10J6.0	1AF	-
SMB10J6.0A	1AG	-
SMB10J6.5	1AH	-
SMB10J6.5A	1AK	-
SMB10J7.0	1AL	-
SMB10J7.0A	1AM	-
SMB10J7.5	1AN	-
SMB10J7.5A	1AP	-
SMB10J8.0	1AQ	-
SMB10J8.0A	1AR	-
SMB10J8.5	1AS	-
SMB10J8.5A	1AT	-
SMB10J9.0	1AU	-
SMB10J9.0A	1AV	-
SMB10J10	1AW	-
SMB10J10A	1AX	-
SMB10J11	1AY	-
SMB10J11A	1AZ	-

TYPE	MARKING UNI-DIRECTIONAL	MARKING BI-DIRECTIONAL
SMB10J12	1BD	-
SMB10J12A	1BE	-
SMB10J13	1BF	-
SMB10J13A	1BG	-
SMB10J14	1BH	-
SMB10J14A	1BK	-
SMB10J15	1BL	-
SMB10J15A	1BM	-
SMB10J16	1BN	-
SMB10J16A	1BP	-
SMB10J17	1BQ	-
SMB10J17A	1BR	-
SMB10J18	1BS	-
SMB10J18A	1BT	-
SMB10J20	1BU	-
SMB10J20A	1BV	-
SMB10J22	1BW	-
SMB10J22A	1BX	-
SMB10J24	1BY	-
SMB10J24A	1BZ	-
SMB10J26	1CD	-
SMB10J26A	1CE	-
SMB10J28	1CF	-
SMB10J28A	1CG	-
SMB10J30	1CH	-
SMB10J30A	1CK	-
SMB10J33	1CL	-
SMB10J33A	1CM	-
SMB10J36	1CN	-
SMB10J36A	1CP	-
SMB10J40	1CQ	-
SMB10J40A	1CR	-
SMB30A300	30F	-
SMB8J5.0C	-	1AD
SMB8J5.0C	-	1AE
SMB8J6.0C	-	1AF
SMB8J6.0C	-	1AG
SMB8J6.5C	-	1AH
SMB8J6.5C	-	1AK
SMB8J7.0C	-	1AL
SMB8J7.0C	-	1AM
SMB8J7.5C	-	1AN
SMB8J7.5C	-	1AP
SMB8J8.0C	-	1AQ
SMB8J8.0C	-	1AR
SMB8J8.5C	-	1AS
SMB8J8.5C	-	1AT
SMB8J9.0C	-	1AU
SMB8J9.0C	-	1AV
SMB8J10C	-	1AW
SMB8J10CA	-	1AX
SMB8J11C	-	1AY
SMB8J11CA	-	1AZ
SMB8J12C	-	1BD
SMB8J12CA	-	1BE
SMB8J13C	-	1BF
SMB8J13CA	-	1BG



SMB (DO-214AA) - continued

TYPE	MARKING UNI- DIRECTIONAL	MARKING BI- DIRECTIONAL
SMB8J14C	-	1BH
SMB8J14CA	-	1BK
SMB8J15C	-	1BL
SMB8J15CA	-	1BM
SMB8J16C	-	1BN
SMB8J16CA	-	1BP
SMB8J17C	-	1BQ
SMB8J17CA	-	1BR
SMB8J18C	-	1BS
SMB8J18CA	-	1BT
SMB8J20C	-	1BU
SMB8J20CA	-	1BV
SMB8J22C	-	1BW
SMB8J22CA	-	1BX
SMB8J24C	-	1BY
SMB8J24CA	-	1BZ
SMB8J26C	-	1CD
SMB8J26CA	-	1CE
SMB8J28C	-	1CF
SMB8J28CA	-	1CG
SMB8J30C	-	1CH
SMB8J30CA	-	1CK
SMB8J33C	-	1CL
SMB8J33CA	-	1CM
SMB8J36C	-	1CN
SMB8J36CA	-	1CP
SMB8J40C	-	1CQ
SMB8J40CA	-	1CR
SMBJ188	PT	PT
SMBJ188A	PS	PS
SMBJ10	KW	AW
SMBJ100	NY	NY
SMBJ100A	NZ	NZ
SMBJ10A	KX	AX
SMBJ11	KY	KY
SMBJ110	PD	PD
SMBJ110A	PE	PE
SMBJ11A	KZ	KZ
SMBJ12	LD	BD
SMBJ120	PF	PF
SMBJ120A	PG	PG
SMBJ12A	LE	BE
SMBJ13	LF	LF
SMBJ130	PH	PH
SMBJ130A	PK	PK
SMBJ13A	LG	LG
SMBJ14	LH	BH
SMBJ14A	LK	BK
SMBJ15	LL	BL
SMBJ150	PL	PL
SMBJ150A	PM	PM
SMBJ15A	LM	BM
SMBJ16	LN	LN
SMBJ160	PN	PN
SMBJ160A	PP	PP
SMAJ16A	LP	LM

TYPE	MARKING UNI- DIRECTIONAL	MARKING BI- DIRECTIONAL
SMBJ17	LQ	LQ
SMBJ170	PQ	PQ
SMBJ170A	PR	PR
SMBJ17A	LR	LR
SMBJ18	LS	BS
SMBJ18A	LT	BT
SMBJ20	LU	LU
SMBJ20A	LV	LV
SMBJ22	LW	BW
SMBJ22A	LX	BX
SMBJ24	LY	BY
SMBJ24A	LZ	BZ
SMBJ26	MD	CD
SMBJ26A	ME	CE
SMBJ28	MF	MF
SMBJ28A	MG	MG
SMBJ30	MH	CH
SMBJ30A	MK	CK
SMBJ33	ML	CL
SMBJ33A	MM	CM
SMBJ36	MN	CN
SMBJ36A	MP	CP
SMBJ3V3	KC	
SMBJ40	MQ	CQ
SMBJ40A	MR	CR
SMBJ43	MS	CS
SMBJ43A	MT	CT
SMBJ45	MU	MU
SMBJ45A	MV	MV
SMBJ48	MW	MW
SMBJ48A	MX	MX
SMBJ5.0	KD	KD
SMBJ5.0A	KE	KE
SMBJ51	MY	MY
SMBJ51A	MZ	MZ
SMBJ54	ND	ND
SMBJ54A	NE	NE
SMBJ58	NF	NF
SMBJ58A	NG	NG
SMBJ6.0	KF	KF
SMBJ6.0A	KG	KG
SMBJ6.5	KH	AH
SMBJ6.5A	KK	AK
SMBJ60	NH	NH
SMBJ60A	NK	NK
SMBJ64	NL	NL
SMBJ64A	NM	NM
SMBJ7.0	KL	KL
SMBJ7.0A	KM	KM
SMBJ7.5	KN	AN
SMBJ7.5A	KP	AP
SMBJ70	NN	NN
SMBJ70A	NP	NP
SMBJ75	NQ	NQ
SMBJ75A	NR	NR
SMBJ78	NS	NS

TYPE	MARKING UNI- DIRECTIONAL	MARKING BI- DIRECTIONAL
SMBJ78A	NT	NT
SMBJ8.0	KQ	AQ
SMBJ8.0A	KR	AR
SMBJ8.5	KS	AS
SMBJ8.5A	KT	AT
SMBJ85	NU	NU
SMBJ85A	NV	NV
SMBJ9.0	KU	AU
SMAJ9.0A	KV	AV
SMBJ90	NW	NW
SMBJ90A	NX	NX
SMZG(J)3788A	VK	-
SMZG(J)3788B	VL	-
SMZG(J)3789A	WA	
SMZG(J)3789B	WB	
SMZG(J)3790A	WC	
SMZG(J)3790B	WD	
SMZG(J)3791A	WE	
SMZG(J)3791B	WF	
SMZG(J)3792A	WG	
SMZG(J)3792B	WH	
SMZG(J)3793A	WI	
SMZG(J)3793B	WJ	
SMZG(J)3794A	WK	
SMZG(J)3794B	WL	
SMZG(J)3795A	XA	
SMZG(J)3795B	XB	
SMZG(J)3796A	XC	
SMZG(J)3796B	XD	
SMZG(J)3797A	XE	
SMZG(J)3797B	XF	
SMZG(J)3798A	XG	
SMZG(J)3798B	XH	
SMZG(J)3799A	XI	
SMZG(J)3799B	XJ	
SMZG(J)3800A	XK	
SMZG(J)3800B	XL	
SMZG(J)3801A	YA	
SMZG(J)3801B	YB	
SMZG(J)3802A	YC	
SMZG(J)3802B	YD	
SMZG(J)3803A	YE	
SMZG(J)3803B	YF	
SMZG(J)3804A	YG	
SMZG(J)3804B	YH	
SMZG(J)3805A	YI	
SMZG(J)3805B	YJ	
SMZG(J)3806A	YK	
SMZG(J)3806B	YL	
SMZG(J)3807A	ZA	
SMZG(J)3807B	ZB	
SMZG(J)3808A	ZC	
SMZG(J)3808B	ZD	
SMZG(J)3809A	ZE	
SMZG(J)3809B	ZF	
SS22	S2	

Note: Parts with SMBJ prefix are available in gullwing by changing "J" to "G"



SMB (DO-214AA) - continued

TYPE	MARKING UNI- DIRECTIONAL	MARKING BI- DIRECTIONAL
SS23	S3	
SS24	S4	
SS25	S5	
SS26	S6	
SS29	S9	
SS210	S10	
SS2H9	MS9	
SS2H10	MS10	
SSB43L	43L	
SSB44	S44	
TPSMB10	KNP	
TPSMB10A	KPP	
TPSMB11	KQP	
TPSMB11A	KRP	
TPSMB12	KSP	
TPSMB12A	KTP	
TPSMB13	KUP	
TPSMB13A	KVP	
TPSMB15	KWP	
TPSMB15A	KXP	
TPSMB16	KYP	
TPSMB16A	KZP	
TPSMB18	LDP	
TPSMB18A	LEP	
TPSMB20	LFP	
TPSMB20A	LGP	
TPSMB22	LHP	
TPSMB22A	LKP	
TPSMB24	LLP	
TPSMB24A	LMP	
TPSMB27	LNP	
TPSMB27A	LPP	
TPSMB30	LQP	
TPSMB30A	LRP	
TPSMB33	LSP	
TPSMB33A	LTP	
TPSMB36	LUP	
TPSMB36A	LVP	
TPSMB39	LWP	
TPSMB39A	LXP	
TPSMB43	LYP	
TPSMB43A	LZP	
TPSMB6.8	KDP	
TPSMB6.8A	KEP	
TPSMB7.5	KFP	
TPSMB7.5A	KGP	
TPSMB8.2	KHP	
TPSMB8.2A	KKP	
TPSMB9.1	KLP	
TPSMB9.1A	KMP	
USB260	U60	

SMC (DO-214AB)

TYPE	MARKING UNI- DIRECTIONAL	MARKING BI- DIRECTIONAL
1.5SMC6.8CA	6V8A	6V8C
1.5SMC7.5CA	7V5A	7V5C
1.5SMC8.2CA	8V2A	8V2C
1.5SMC9.1CA	9V1A	9V1C
1.5SMC10CA	10A	10C
1.5SMC11CA	11A	11C
1.5SMC12CA	12A	12C
1.5SMC13CA	13A	13C
1.5SMC15CA	15A	15C
1.5SMC16CA	16A	16C
1.5SMC18CA	18A	18C
1.5SMC20CA	20A	20C
1.5SMC22CA	22A	22C
1.5SMC24CA	24A	24C
1.5SMC27CA	27A	27C
1.5SMC30CA	30A	30C
1.5SMC33CA	33A	33C
1.5SMC36CA	36A	36C
1.5SMC39CA	39A	39C
1.5SMC43CA	43A	43C
1.5SMC47CA	47A	47C
1.5SMC51CA	51A	51C
1.5SMC56CA	56A	56C
1.5SMC62CA	62A	62C
1.5SMC68CA	68A	68C
1.5SMC75CA	75A	75C
1.5SMC82CA	82A	82C
1.5SMC91CA	91A	91C
1.5SMC100CA	100A	100C
1.5SMC110CA	110A	110C
1.5SMC120CA	120A	120C
1.5SMC130CA	130A	130C
1.5SMC150CA	150A	150C
1.5SMC160CA	160A	160C
1.5SMC170CA	170A	170C
1.5SMC180CA	180A	180C
1.5SMC200CA	200A	200C
1.5SMC220CA	220A	220C
1.5SMC250A	250A	-
1.5SMC300A	300A	-
1.5SMC350A	350A	-
1.5SMC400A	400A	-
1.5SMC440A	440A	-
1.5SMC480A	480A	-
1.5SMC510A	510A	-
1.5SMC540A	540A	-
3KASMC10	3AW	
3KASMC10A	3AX	
3KASMC11	3AY	
3KASMC11A	3AZ	
3KASMC12	3BD	
3KASMC12A	3BE	
3KASMC13	3BF	
3KASMC13A	3BG	

TYPE	MARKING UNI- DIRECTIONAL	MARKING BI- DIRECTIONAL
3KASMC14	3BH	
3KASMC14A	3BK	
3KASMC15	3BL	
3KASMC15A	3BM	
3KASMC16	3BN	
3KASMC16A	3BP	
3KASMC17	3BQ	
3KASMC17A	3BR	
3KASMC18	3BS	
3KASMC18A	3BT	
3KASMC20	3BU	
3KASMC20A	3BV	
3KASMC22	3BW	
3KASMC22A	3BX	
3KASMC24	3BY	
3KASMC24A	3BZ	
3KASMC26	3CD	
3KASMC26A	3CE	
3KASMC28	3CF	
3KASMC28A	3CG	
3KASMC30	3CH	
3KASMC30A	3CK	
3KASMC33	3CL	
3KASMC33A	3CM	
3KASMC36	3CN	
3KASMC36A	3CP	
3KASMC40	3CQ	
3KASMC40A	3CR	
3KASMC43	3CS	
3KASMC43A	3CT	
ES3A	EA	
ES3B	EB	
ES3C	EC	
ES3D	ED	
ES3F	EF	
ES3G	EG	
ESH3B	EHB	
ESH3C	EHC	
ESH3D	EHD	
MURS320	MD	
MURS340	MG	
MURS360	MJ	
RS3A	RA	
RS3B	RB	
RS3D	RD	
RS3G	RG	
RS3J	RJ	
RS3K	RK	
S3A	SA	
S3B	SB	
S3D	SD	
S3G	SG	
S3J	SJ	
S3K	SK	



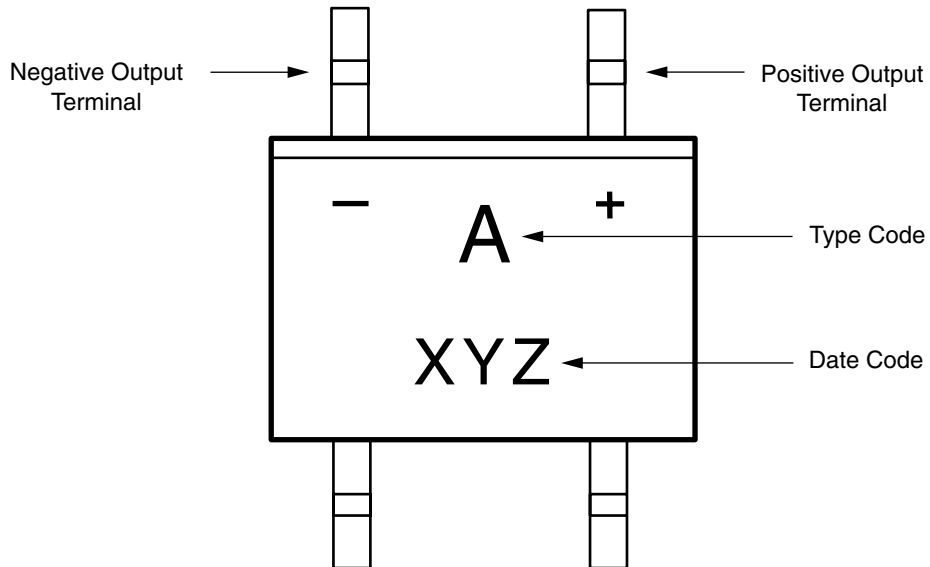
SMC (DO-214AB) - continued

TYPE	MARKING UNI- DIRECTIONAL	MARKING BI- DIRECTIONAL
S3M	SM	
S5A	5A	
S5B	5B	
S5D	5D	
S5G	5G	
S5J	5J	
S5K	5K	
S5M	5M	
SL42	SL2	
SL43	SL3	
SL44	SL4	
SM15T100A	GGV7	GGV7
SM15T10A	GDT7	BDT7
SM15T12A	GDX7	BDX7
SM15T150A	GHK7	GHK7
SM15T15A	GEG7	GEG7
SM15T18A	GEM7	BEM7
SM15T200A	GHR7	GHR7
SM15T220A	GHR8	GHR8
SM15T22A	GET7	BET7
SM15T24A	GEV7	GEV7
SM15T27A	GEX7	BEX7
SM15T30A	GFE7	BFE7
SM15T33A	GFG7	GFG7
SM15T36A	GFK7	BFK7
SM15T39A	GFM7	BFM7
SM15T68A	GGG7	GGG7
SM15T6V8A	GDE7	GDE7
SM15T7V5A	GDK7	BDK7
SMCJ188	GHT	GHT
SMCJ188A	GHS	GHS
SMCJ10	GDW	BDW
SMCJ100	GGY	GGY
SMCJ100A	GGZ	GGZ
SMCJ10A	GDX	BDX
SMCJ11	GDY	GDY
SMCJ110	GHD	GHD
SMCJ110A	GHE	GHE
SMCJ11A	GDZ	GDZ
SMCJ12	GED	BED
SMCJ120	GHF	GHF
SMCJ120A	GHG	GHG
SMCJ12A	GEE	BEE
SMCJ13	GEF	GEF
SMCJ130	GHH	GHH
SMCJ130A	GHK	GHK
SMCJ13A	GEG	GEG
SMCJ14	GEH	BEH
SMCJ14A	GEK	BEK
SMCJ15	GEL	BEL
SMCJ150	GHL	GHL
SMCJ150A	GHM	GHM
SMCJ15A	GEM	BEM
SMCJ16	GEN	GEN
SMCJ160	GHN	GHN
SMCJ160A	GHP	GHP
SMCJ16A	GEP	GEP

TYPE	MARKING UNI- DIRECTIONAL	MARKING BI- DIRECTIONAL
SMCJ17	GEQ	GEQ
SMCJ170	GHQ	GHQ
SMCJ170A	GHR	GHR
SMCJ17A	GER	GER
SMCJ18	GES	BES
SMCJ18A	GET	BET
SMCJ20	GEU	BEU
SMCJ20A	GEV	BEV
SMCJ22	GEW	BEW
SMCJ22A	GEX	BEX
SMCJ24	GEY	BEY
SMCJ24A	GEZ	BEZ
SMCJ26	GFD	BFD
SMCJ26A	GFE	BFE
SMCJ28	GFF	BFF
SMCJ28A	GFG	BFG
SMCJ30	GFH	BFH
SMCJ30A	GFK	BFK
SMCJ33	GFL	BFL
SMCJ33A	GFM	BFM
SMCJ36	GFN	BFN
SMCJ36A	GFP	BFP
SMCJ40	GFQ	BFQ
SMCJ40A	GFR	BFR
SMCJ43	GFS	BFS
SMCJ43A	GFT	BFT
SMCJ45	GFU	GFU
SMCJ45A	GFV	GFV
SMCJ48	GFW	GFW
SMCJ48A	GFX	GFX
SMCJ5.0	GDD	GDD
SMCJ5.0A	GDE	GDE
SMCJ51	GFY	GFY
SMCJ51A	GFZ	GFZ
SMCJ54	GGD	GGD
SMCJ54A	GGE	GGE
SMCJ58	GGF	GGF
SMCJ58A	GGG	GGG
SMCJ6.0	GDF	GDF
SMCJ6.0A	GDG	GDG
SMCJ6.5	GDH	BDH
SMCJ6.5A	GDK	BDK
SMCJ60	GGH	GGH
SMCJ60A	GGK	GGK
SMCJ64	GGL	GGL
SMCJ64A	GGM	GGM
SMCJ7.0	GDL	GDL
SMCJ7.0A	GDM	GDM
SMCJ7.5	GDN	BDN
SMCJ7.5A	GDP	BDP
SMCJ70	GGN	GGN
SMCJ70A	GGP	GGP
SMCJ75	GGQ	GGQ
SMCJ75A	GGR	GGR
SMCJ78	GGs	GGs
SMCJ78A	GGT	GGT
SMCJ8.0	GDQ	BDQ

TYPE	MARKING UNI- DIRECTIONAL	MARKING BI- DIRECTIONAL
SMCJ8.0A	GDR	BDR
SMCJ8.5	GDS	BDS
SMCJ8.5A	GDT	BDT
SMCJ85	GGU	GGU
SMCJ85A	GGV	GGV
SMCJ9.0	GDU	BDU
SMCJ9.0A	GDV	BDV
SMCJ90	GGW	GGW
SMCJ90A	GGX	GGX
SS32	S2	
SS33	S3	
SS34	S4	
SS35	S5	
SS36	S6	
SS3H9	MS9	
SS3H10	MS10	
SSC53L	53L	
SSC54	S54	
TPSMC10	DNP	
TPSMC10A	DPP	
TPSMC11	DQP	
TPSMC11A	DRP	
TPSMC12	DSP	
TPSMC13	DUP	
TPSMC15	DWP	
TPSMC15A	DXP	
TPSMC16	DYP	
TPSMC16A	DZP	
TPSMC18	EDP	
TPSMC18A	EED	
TPSMC20	EFP	
TPSMC20A	EGP	
TPSMC22	EHP	
TPSMC22A	EKP	
TPSMC24	ELP	
TPSMC24A	EMP	
TPSMC27	ENP	
TPSMC27A	EPP	
TPSMC30	EQP	
TPSMC30A	ERP	
TPSMC33	ESP	
TPSMC33A	ETP	
TPSMC36	EUP	
TPSMC36A	EVP	
TPSMC39	EWP	
TPSMC39A	EXP	
TPSMC43	EYP	
TPSMC43A	EZP	
TPSMC6.8	DDP	
TPSMC6.8A	DEP	
TPSMC7.5	DFP	
TPSMC7.5A	DGP	
TPSMC8.2	DHP	
TPSMC8.2A	DKP	
TPSMC9.1	DLP	
TPSMC9.1A	DMP	

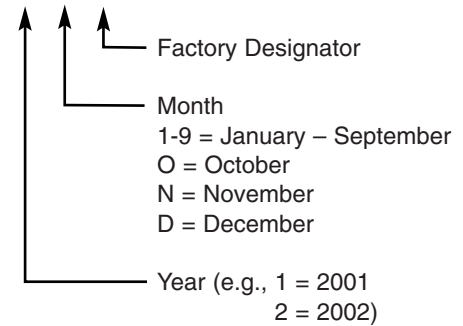
TO-269AA (MBS) MINI-BRIDGE MARKING



TYPE	TYPE CODE
MB2S	2
MB4S	4
MB6S	6
RMB2S	2R
RMB4S	4R

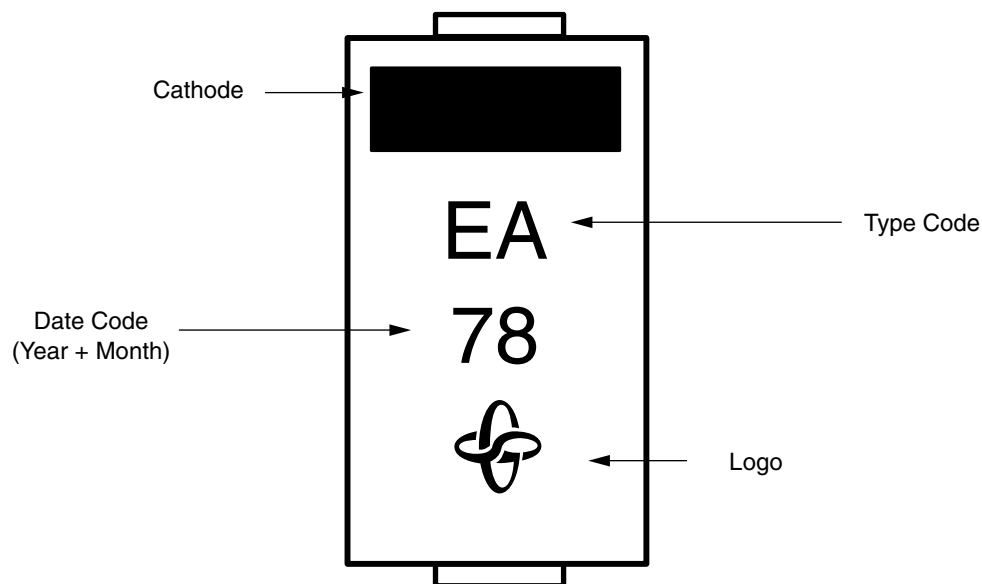
DATE CODE

X Y Z



DO-214BA (GF1) MARKING

Marking Taiwan Production



YEAR	
1997	7
1998	8
1999	9

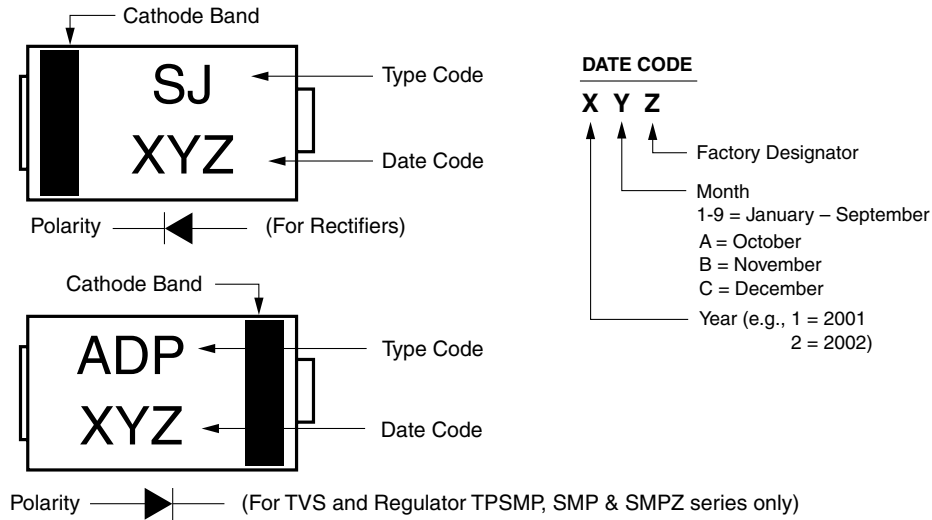
MONTH			
January	1	July	7
February	2	August	8
March	3	September	9
April	4	October	A
May	5	November	B
June	6	December	C

TYPE	MARKING
EGF1A	EA
EGF1B	EB
EGF1C	EC
EGF1D	ED
GF1A	GA
GF1B	GB
GF1D	GD

TYPE	MARKING
GF1G	GG
GF1J	GJ
GF1K	GK
GF1M	GM
RGF1A	RA
RGF1B	RB
RGF1D	RD
RGF1G	RG
RGF1J	RJ
RGF1K	RK
RGF1M	RM

Note (for all products): Suffixes added to the date codes indicate factory

DO-220AA (SMP) MARKING



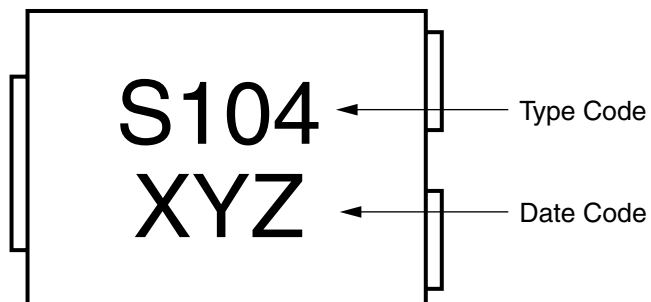
SMP (DO-220AA)

TYPE	MARKING
S1PB	SB
S1PD	SD
S1PG	SG
S1PJ	SJ
S1PK	SK
S1PM	SM
RS1PB	RB
RS1PD	RD
RS1PG	RG
RS1PJ	RJ
ES1PB	EB
ES1PC	EC
ES1PD	ED
ESH1PB	PB
ESH1PC	PC
ESH1PD	PD
SS1P3	13
SS1P4	14
SS1P3L	13L
SS1P4L	14L
SS2P2	22
SS2P3	23
SS2P4	24
SS2P5	25
SS2P6	26
SS2PH9	29
SS2PH10	210
SS3P3	33
SS3P4	34
SS3P5	35
TPSMP6.8	ADP
TPSMP6.8A	AEP
TPSMP7.5	AFP
TPSMP7.5A	AGP
TPSMP8.2	AHP
TPSMP8.2A	AKP
TPSMP9.1	ALP
TPSMP9.1A	AMP
TPSMP10	ANP

TYPE	MARKING
TPSMP10A	APP
TPSMP11	AQP
TPSMP11A	ARP
TPSMP12	ASP
TPSMP12A	ATP
TPSMP13	AUP
TPSMP13A	AVP
TPSMP15	AWP
TPSMP15A	AXP
TPSMP16	AYP
TPSMP16A	AZP
TPSMP18	BDP
TPSMP20	BFP
TPSMP20A	BGP
TPSMP22	BHP
TPSMP22A	BKP
TPSMP24	BLP
TPSMP24A	BMP
TPSMP27	BNP
TPSMP27A	BPP
TPSMP30	BQP
TPSMP33	BSP
TPSMP33A	BTP
TPSMP36	BUP
TPSMP36A	BVP
TPSMP39	BWP
TPSMP39A	BXP
TPSMP43	BYP
TPSMP43A	BZP
SMP11	AY
SMP11A	AZ
SMP12	BD
SMP12A	BE
SMP13	BF
SMP13A	BG
SMP14	BH
SMP14A	BK
SMP15	BL
SMP15A	BM

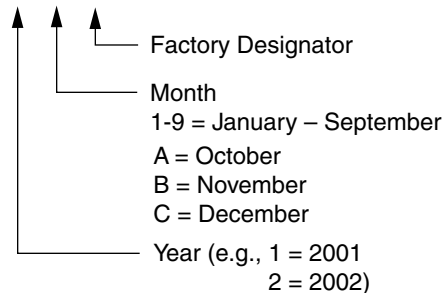
TYPE	MARKING
SMP16	BN
SMP16A	BP
SMP17	BQ
SMP17A	BR
SMP18	BS
SMP18A	BT
SMP20	BU
SMP20A	BV
SMP22	BW
SMP22A	BX
SMP24	BY
SMP24A	BZ
SMP26A	CE
SMP28	CF
SMP28A	CG
SMP30	CH
SMP30A	CK
SMP33	CL
SMP33A	CM
SMP36	CN
SMP36A	CP
SMPZ3925B	25B
SMPZ3926B	26B
SMPZ3927B	27B
SMPZ3928B	28B
SMPZ3929B	29B
SMPZ3930B	30B
SMPZ3931B	31B
SMPZ3932B	32B
SMPZ3933B	33B
SMPZ3934B	34B
SMPZ3935B	35B
SMPZ3936B	36B
SMPZ3937B	37B
SMPZ3938B	38B
SMPZ3939B	39B
SMPZ3940B	40B

TO-277A (SMPC) MARKING



DATE CODE

X Y Z



SMPC (TO-277A)

TYPE	MARKING
SS3P3L	S33
SS3P4L	S34
SS3P5L	S35
SS3P6L	S36
SS5P3	S53
SS5P4	S54
SS5P5	S55
SS5P6	S56
SS5P9	S59
SS5P10	S510
SS8P2L	S82
SS8P3L	S83
SS8PH9	8H9
SS8PH10	8H10
V8P10	V810
V10P10	V1010
V12P10	V1210