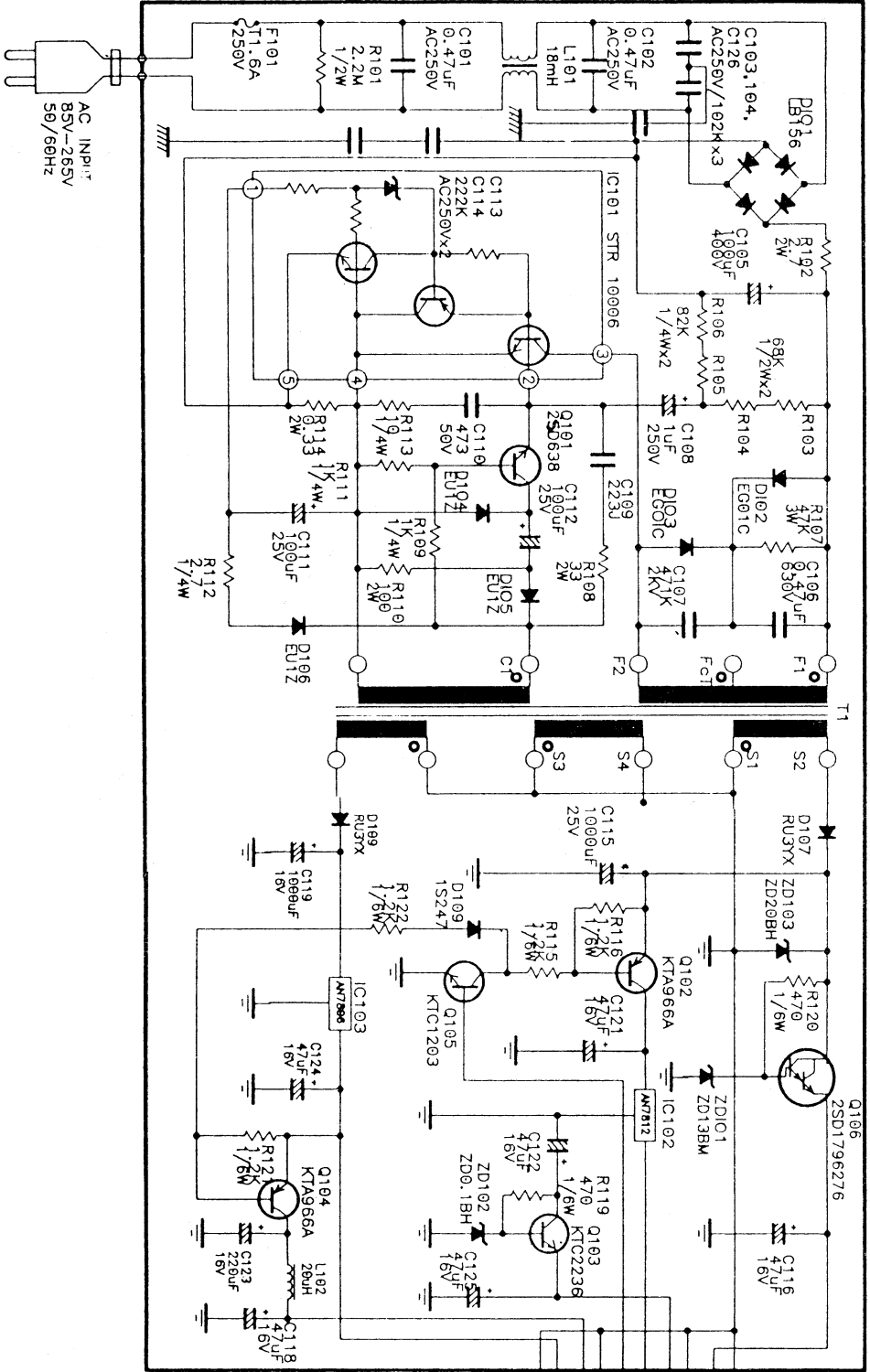


CIRCUIT DIAGRAMS

1. Power (SMPS) Circuit Diagram



- DC 300V
- DC 400V PEAK (20KHz)
- AC15V or 320V (60Hz)
- FULL GROUND

- DC 0 to 20V
- DC 150V
- DC GRC

PI101	1 G.N.D	1 G.N.D
	2 12VA	2 12VA
	3 G.N.D	3 G.N.D
	4 9V	4 9V
	5 12V	5 12V
	6 P.CON	6 P.CON
	7 G.N.D	7 G.N.D
	8 6V	8 6V
	9 6VA	9 6VA
	10 G.N.D	10 G.N.D

www.chat.ru/~micar
vkiev@online.sinor.ru