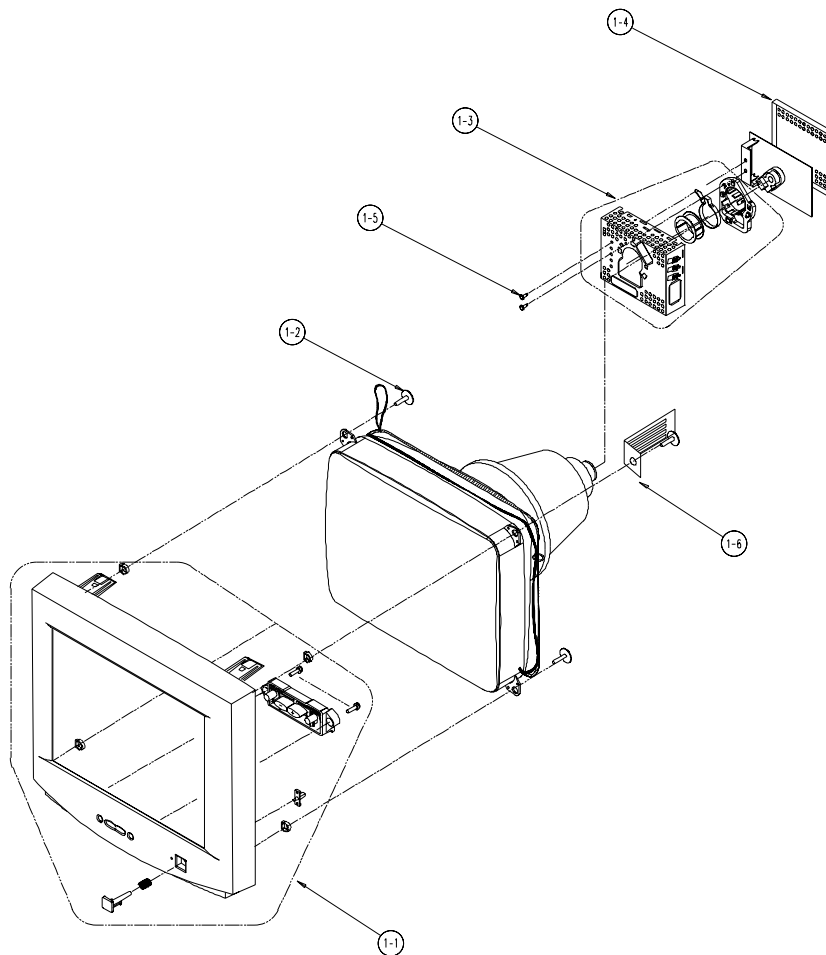


6 Exploded View and Parts List

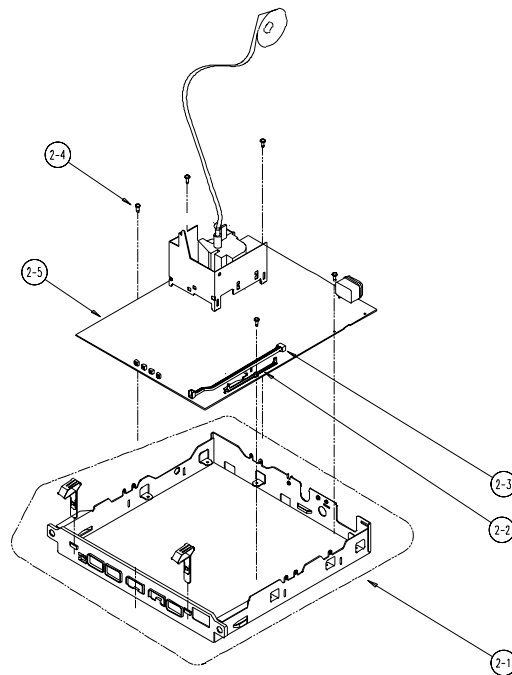
6-1 Front Cover & CRT Ass'y

NO	DESCRIPTION	CODE-NO	SPECIFICATION	Q'TY	REMARK
1-1	UNIT/COVER-FRONT	BH75-0014BA	DF17JS	1 EA	
1-2	SCREW-CRT/TAPTITE	6006-001010	WPP,BH,+ ,D5,L25	4 EA	
1-3	UNIT/SHIELD-VIDEO	BH75-00033A	DP17L*	1 EA	
1-4	SHIELD/VIDEO-CAP	BH71-00006A	DP17L*	1 EA	
1-5	SCREW	6003-000010	BH M3XL10	2 EA	
1-6	EARTH-PLATE	BH71-00060A	PBSS TO.3	1 EA	



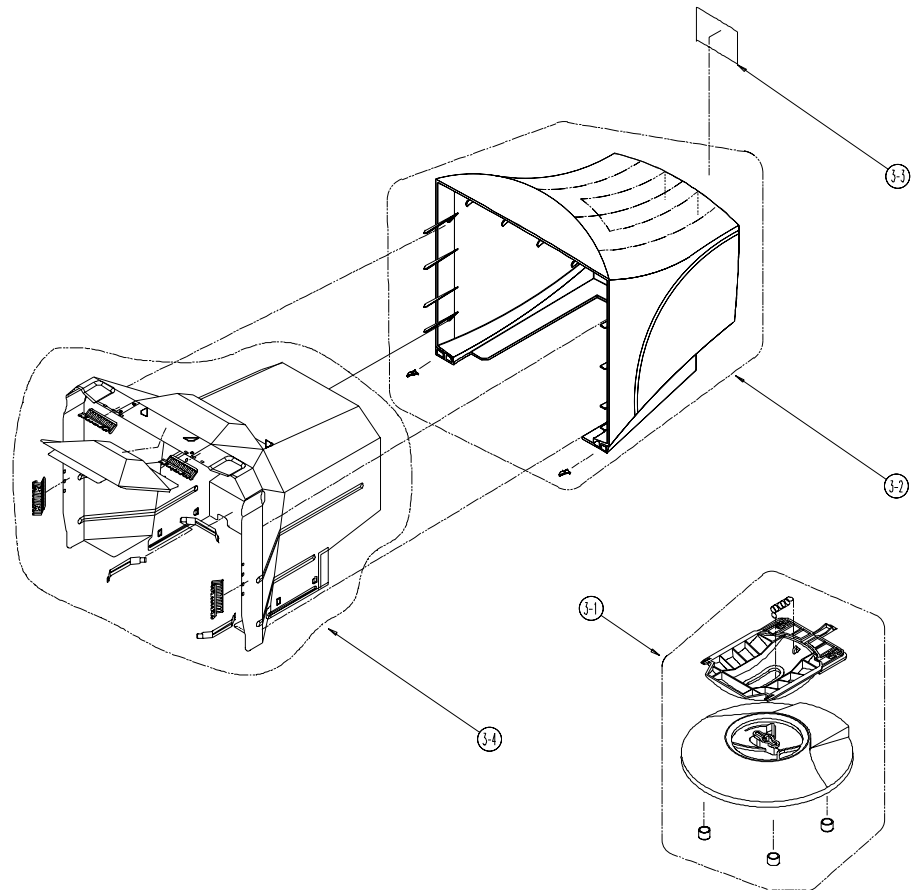
6-2 Chassis & Stand Ass'y

NO	DESCRIPTION	CODE-NO	SPECIFICATION	Q'TY	REMARK
2-1	UNIT/SHIELD-BOTTOM	BH75-00031B	DF17JS/KS	1 EA	
2-2	GUIDE-POWER	BH72-00025A	PC ABS 1V16	1 EA	
2-3	SHAFT-POWER	BH72-00026A	PC ABS 1V16	1 EA	
2-4	SCREW	6003-000010	BH M3XL10	5 EA	
2-5	PCB		DP17LS	1 EA	



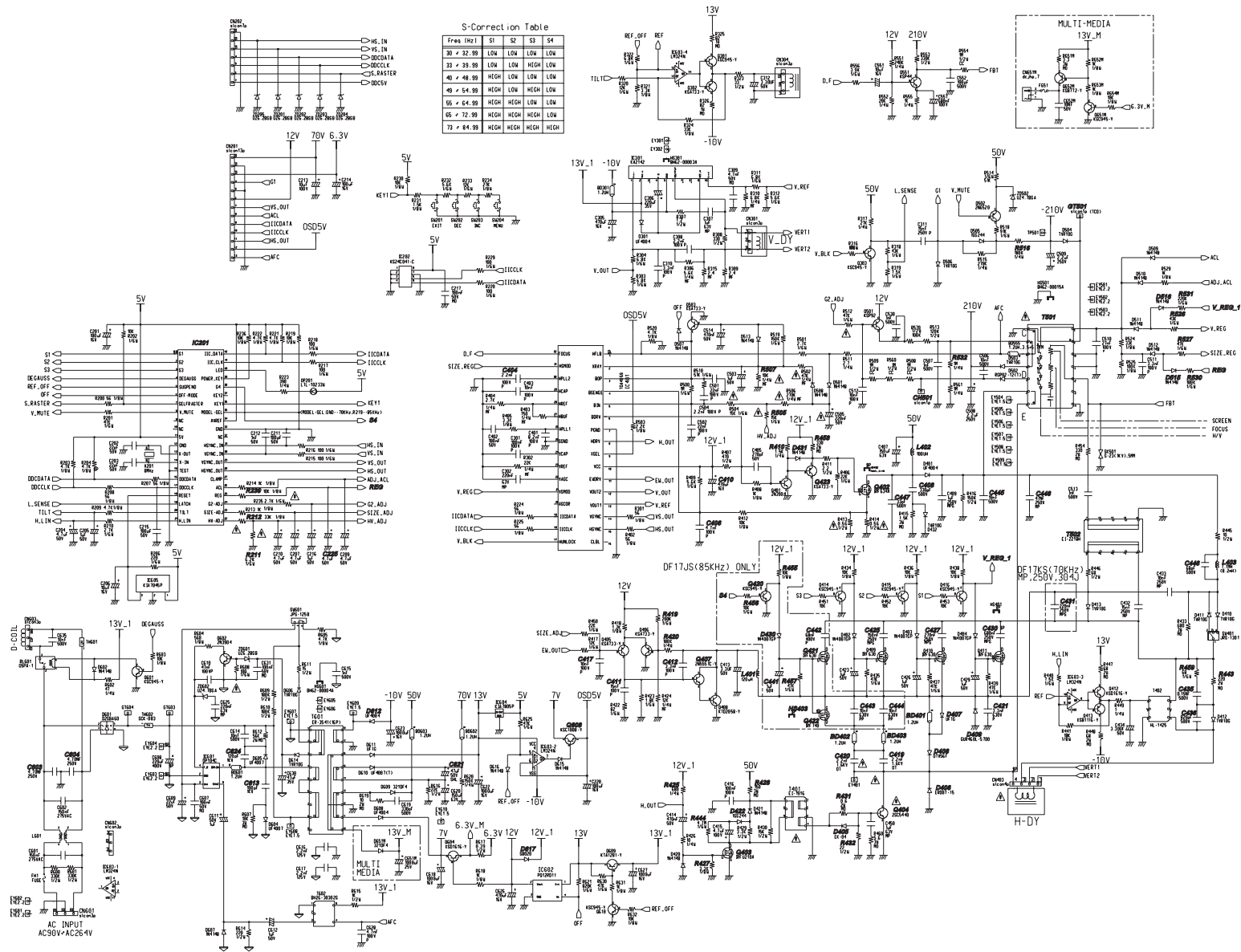
6-3 Rear Cover Ass'y

NO	DESCRIPTION	CODE-NO	SPECIFICATION	Q'TY	REMARK
3-1	UNIT/STAND	BH75-00151A	DF17JS/KS	1 EA	
3-2	UNIT/COVER-REAR	BH75-00035A	ABS HB 1V16	1 EA	
3-3	LABEL RATING		DP17L* PE TO.075	1 EA	
3-4	UNIT/SHIELD-COVER	BH75-00015A	DP17L*	1 EA	

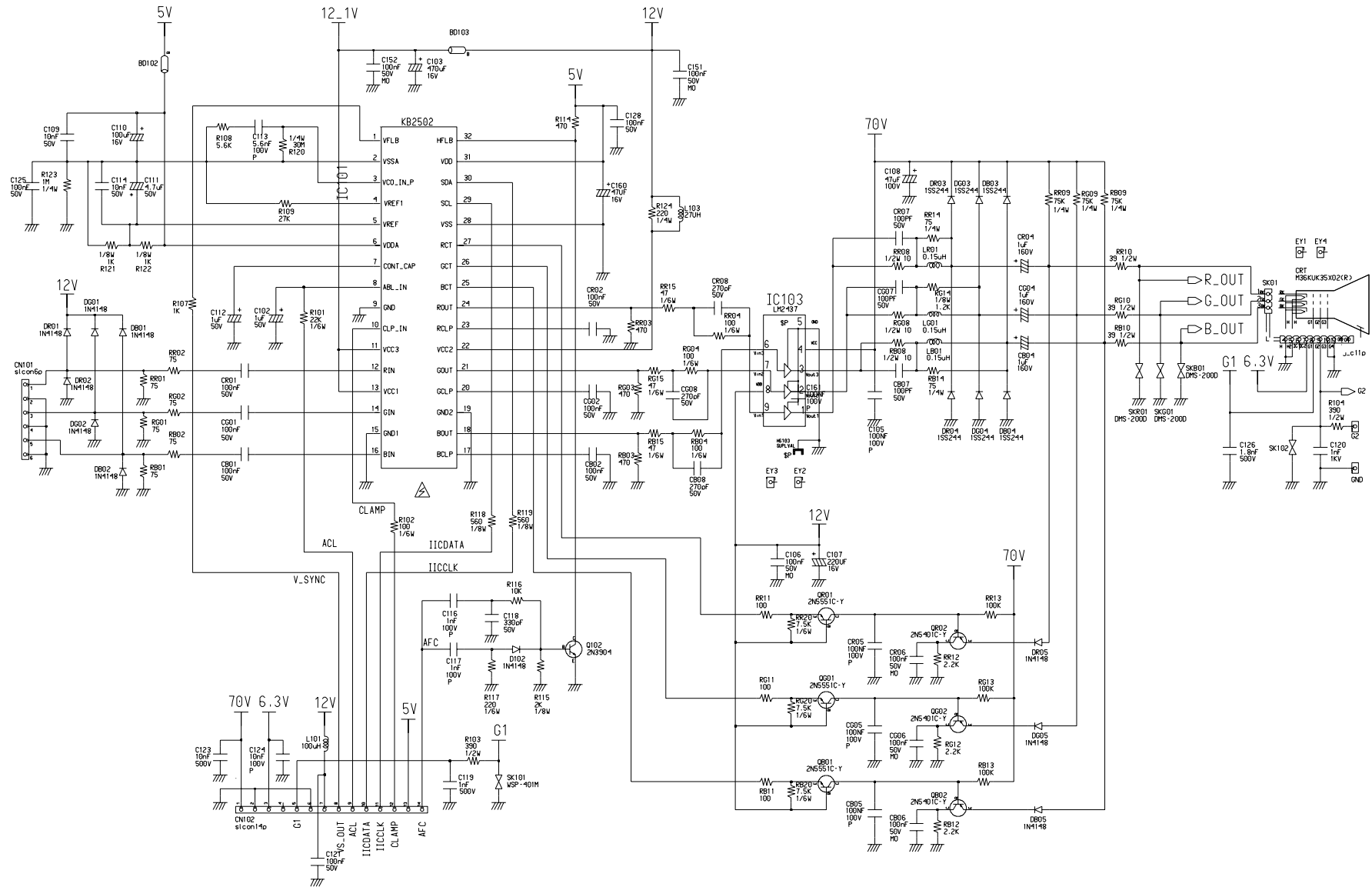


10 Schematic Diagrams

10-1 Main Part Schematic Diagram



10-2 Video Part Schematic Diagram



Memo