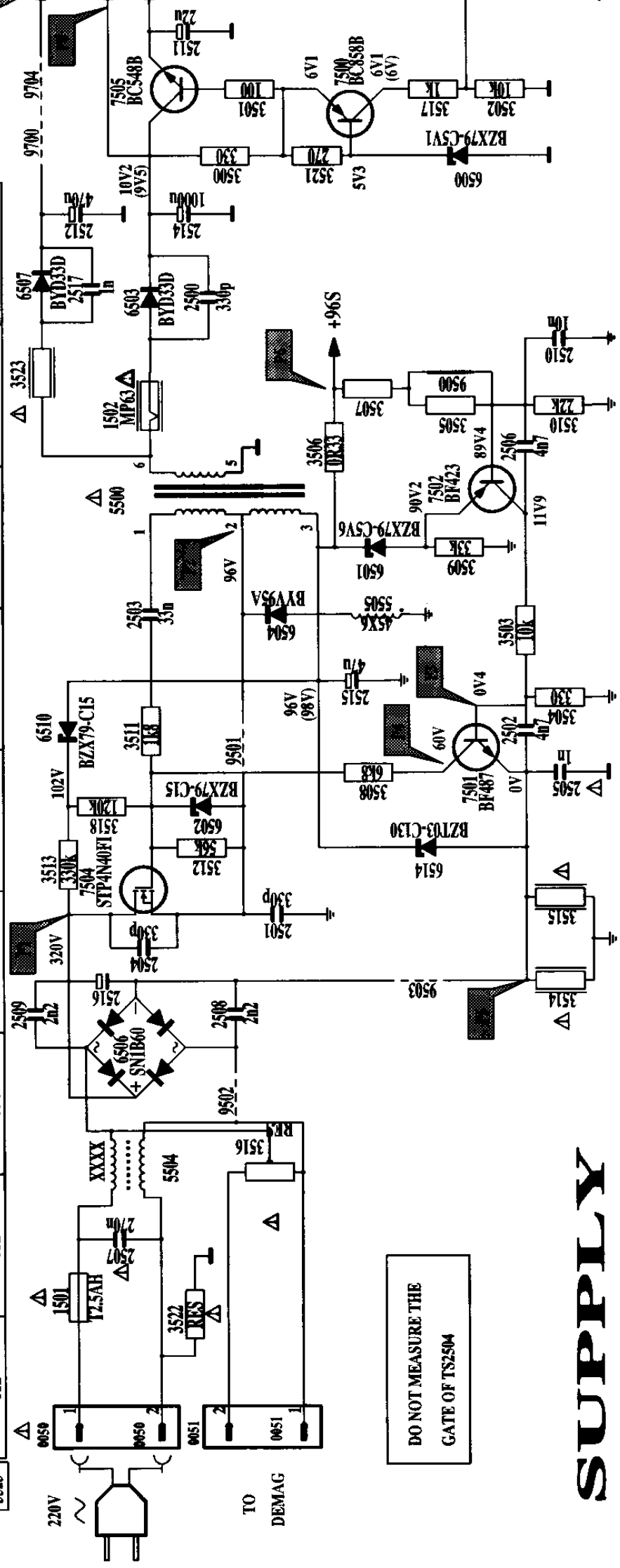


| | SYS70 BG mono | SYS71 BG/L mono | SYS72 I mono | SYS73 BG/DK mono | SYS74 BG(2Sc) | SYS75 BG/DK(2Sc) | SYS76 NICBG | SYS77 NICI | SYS78 NICL |
|------|------------------|--------------------|-----------------|---------------------|------------------|---------------------|----------------|---------------|---------------|
| 3134 | 47 | 27 | 47 | 33 | 47 | 39 | 47 | 47 | 33 |
| 3523 | 3R3 | 3R3 | 3R3 | 3R3 | 1R | 1R | 1R | 1R | 1R |



DO NOT MEASURE THE GATE OF TS2504

SUPPLY

1 2 3 4 5 6 7 8 9