

**Charge Current**

**+3.3V** VDD3

**+2.5V** VDD2

**115kHz (TALK mode)**

**(When on charge)**

**25mV p-p**

**0.7V**

**0V**

**TX DATA**

**RX DATA**

**IC1**

**BBIC**

**IC3**

**EEPROM**

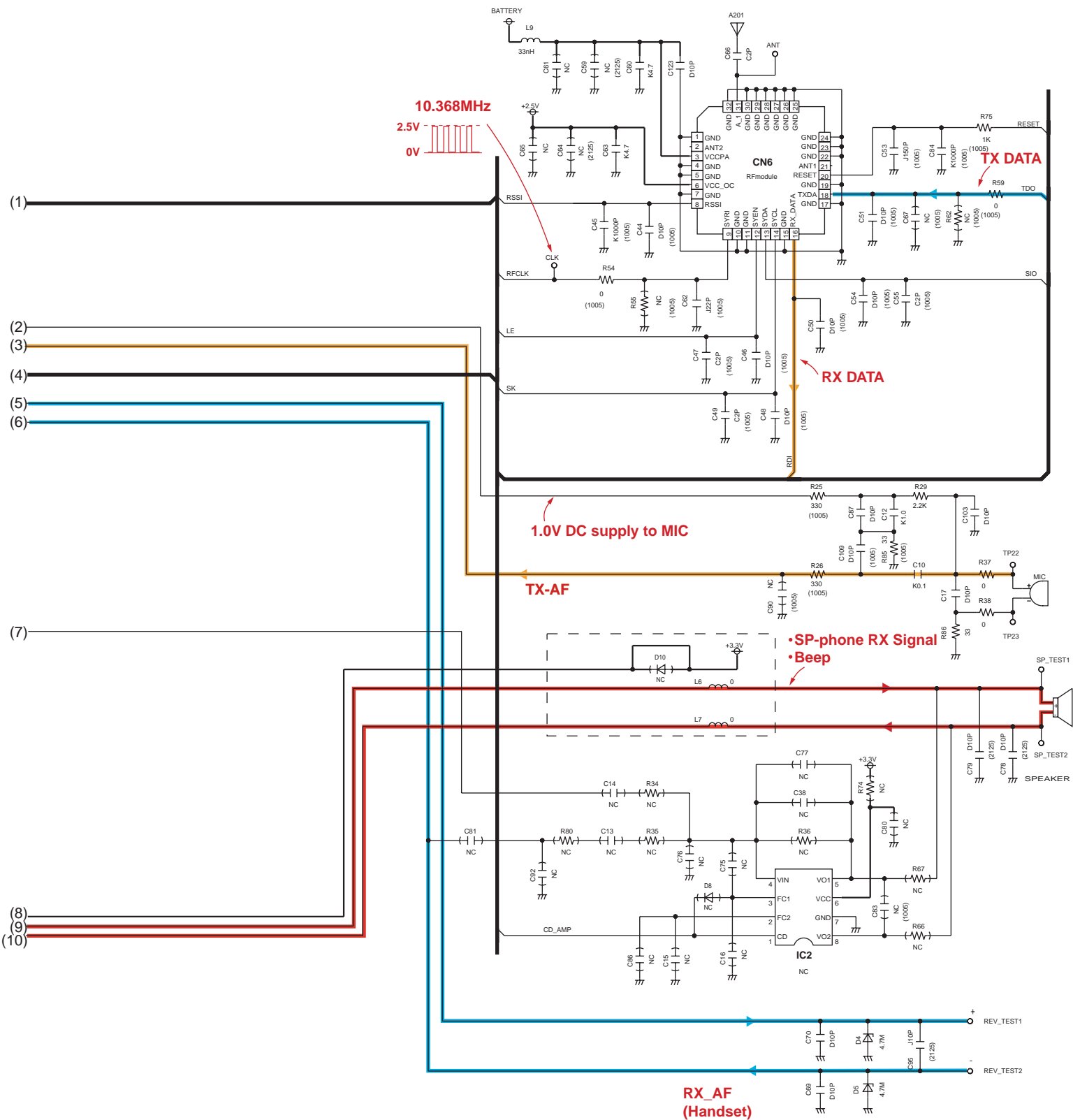
**AT24C64-10SJ-1.8**

Lighted Key

SP-Phone LED

LCD Back-Lit

NC : No Components



NC : No Components