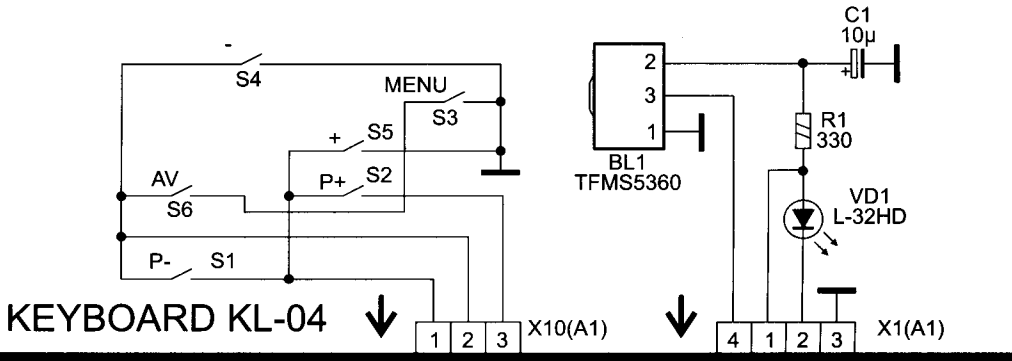
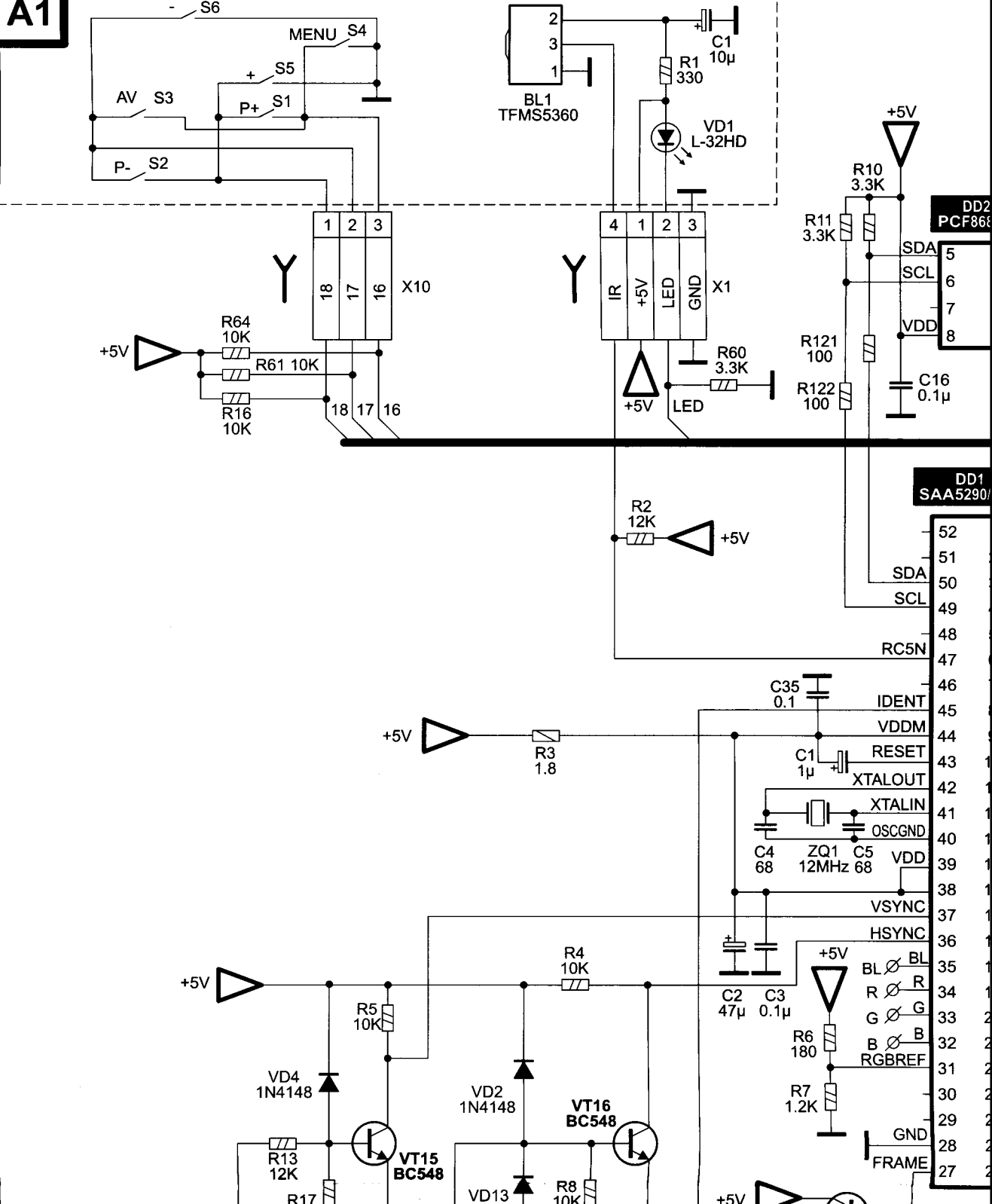


KEYBOARD KL-04 FOR L2103T, CTV5321

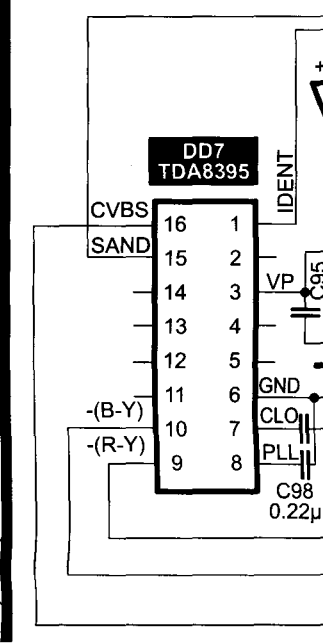
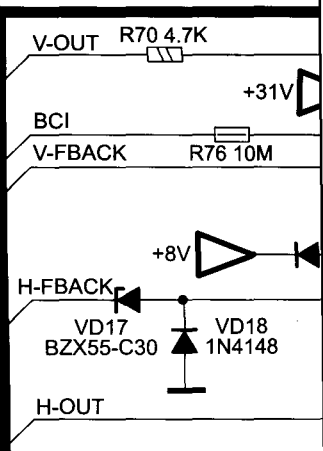
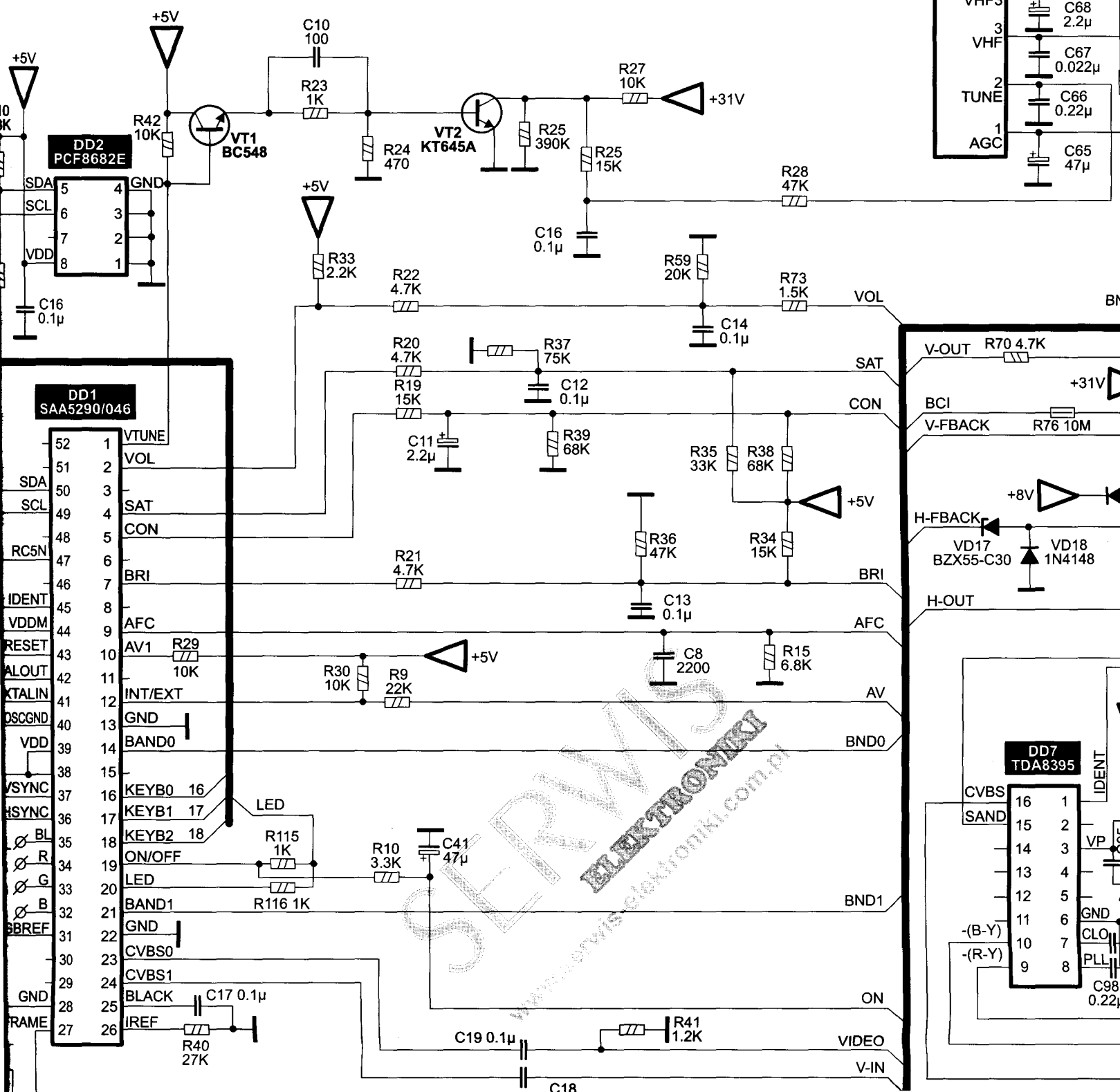
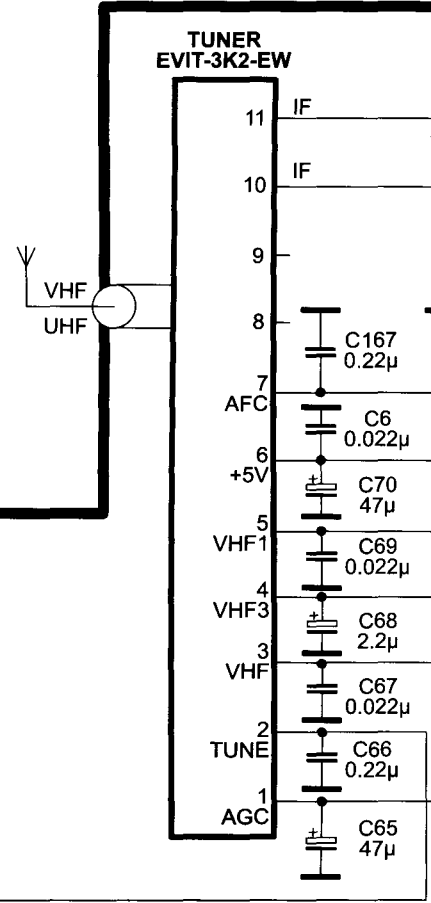
A4



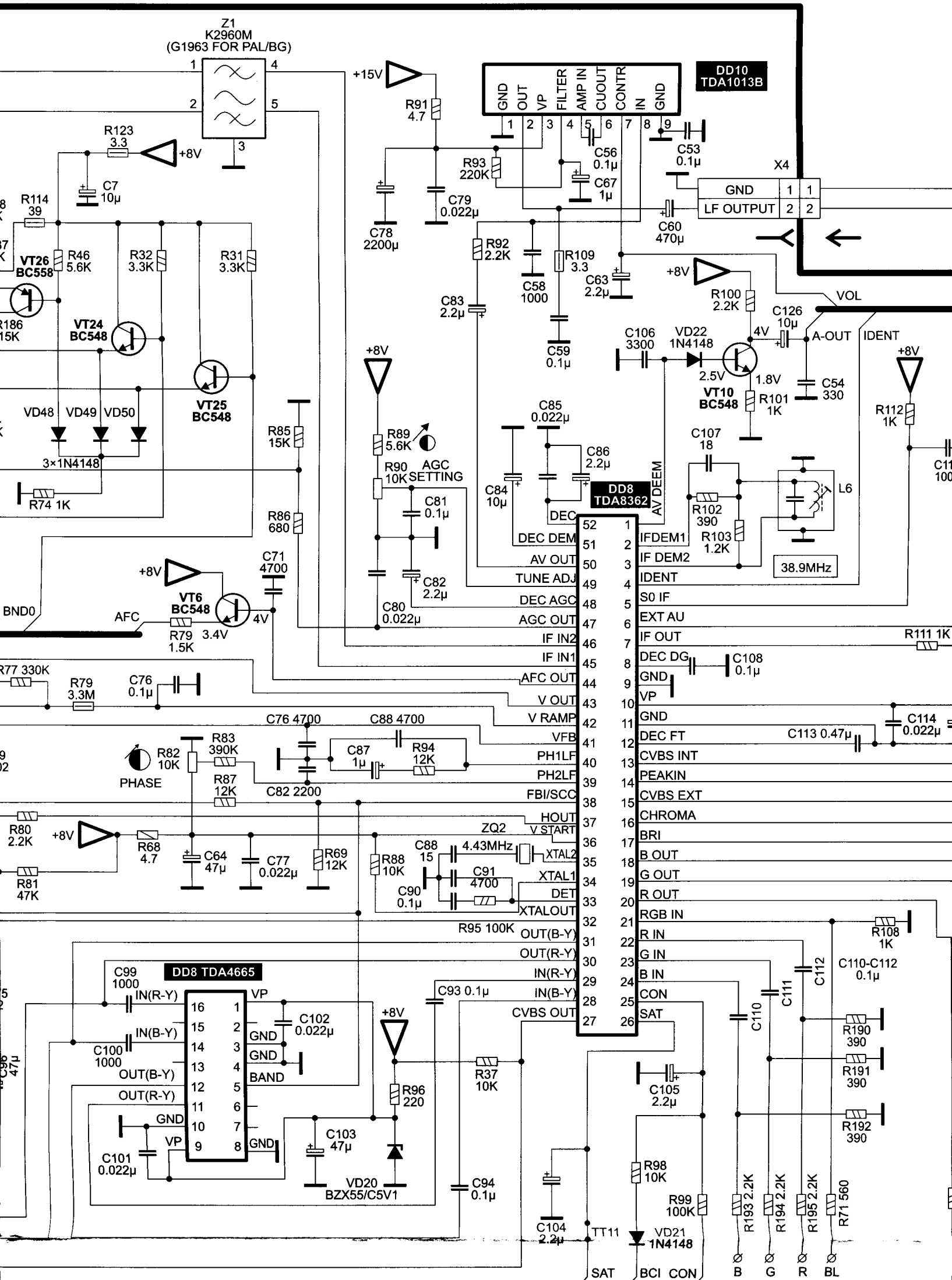
A1

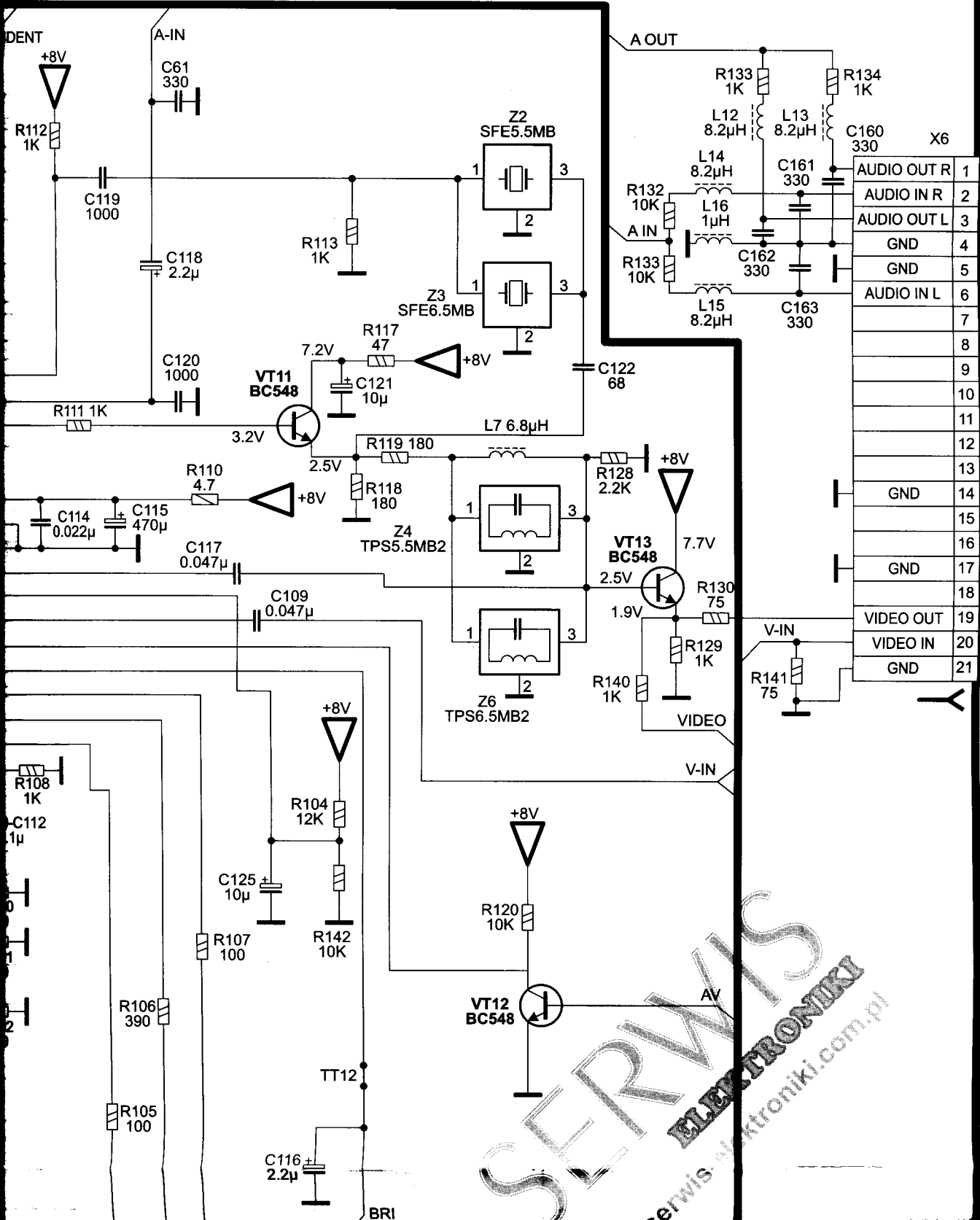
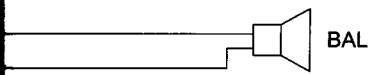


	L1410T, L1411T	L2103T, CTV5321
C139	270	6800
C140	330	-



SERVIS ELEKTRONIKI
www.servis-elektroniki.com.pl

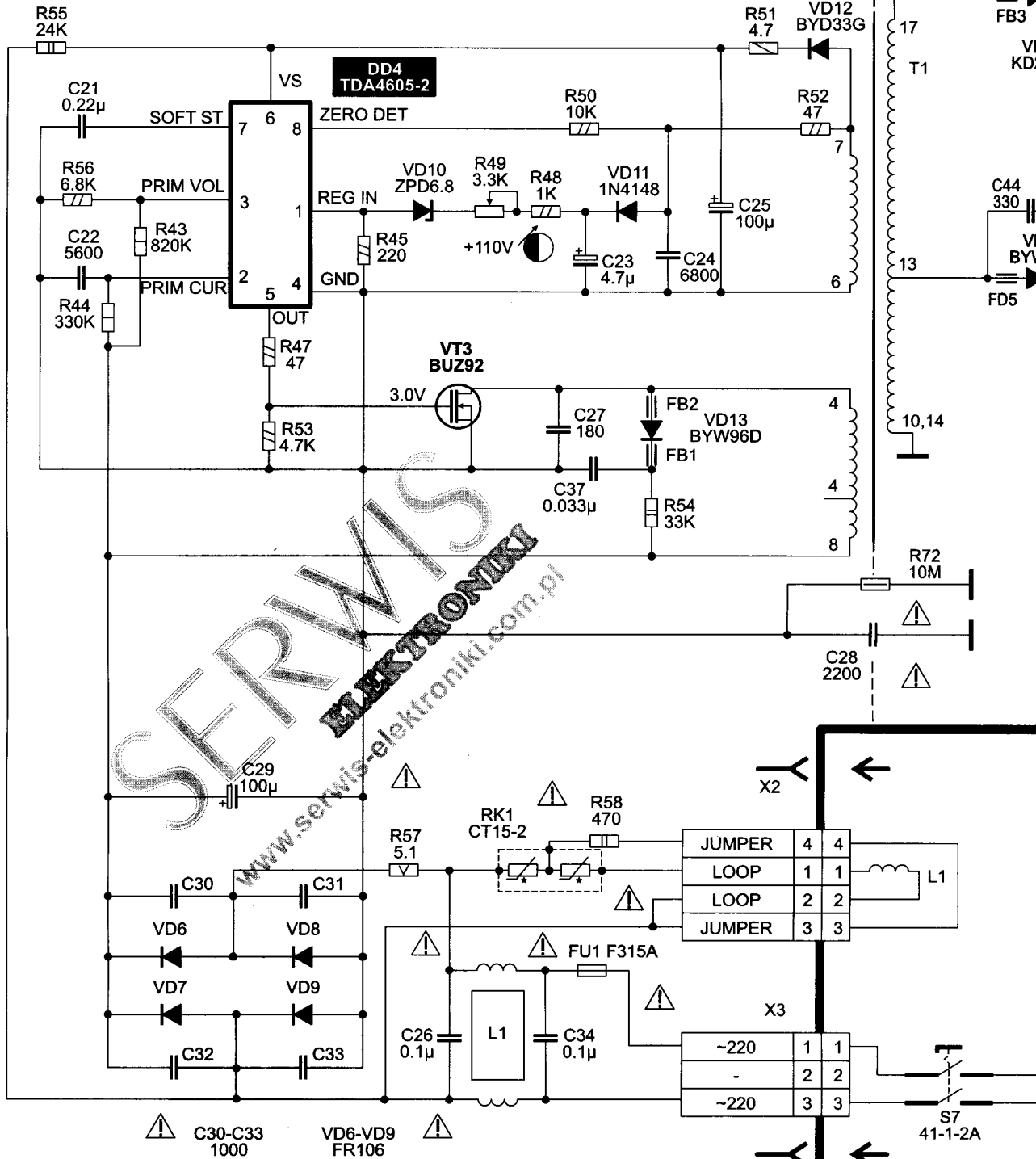


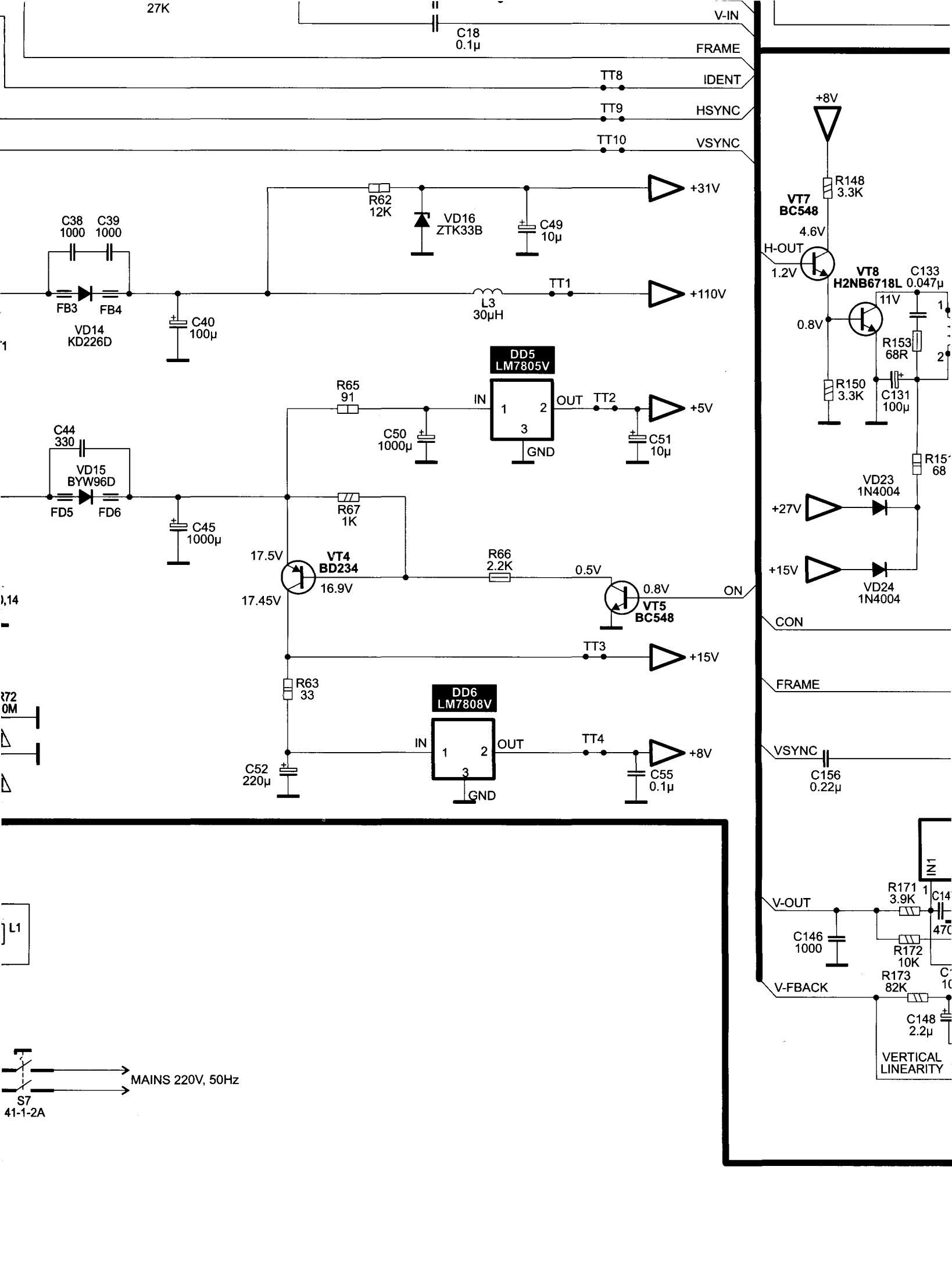


AUDIO OUT R	1
AUDIO IN R	2
AUDIO OUT L	3
GND	4
GND	5
AUDIO IN L	6
	7
	8
	9
	10
	11
	12
	13
GND	14
	15
GND	16
	17
VIDEO OUT	19
VIDEO IN	20
GND	21

SERWIS
 ELEKTRONIKI
 serwis@elektroniki.com.pl

CAUTION ! HIGH VOLTAGE!





27K

C18
0.1µ

V-IN

FRAME

IDENT
TT8

HSYNC
TT9

VSYNC
TT10

+31V

+8V

VT7
BC548

R148
3.3K

4.6V

H-OUT

1.2V

0.8V

VT8
H2NB6718L

C133
0.047µ

11V

R153
68R

R150
3.3K

C131
100µ

R155
68

+27V

+15V

VD23
1N4004

VD24
1N4004

CON

FRAME

VSYNC

C156
0.22µ

V-OUT

C146
1000

V

V-FBACK

C148
2.2µ

C14

C10

C147

C148

C149

C150

C151

C152

C153

C154

C155

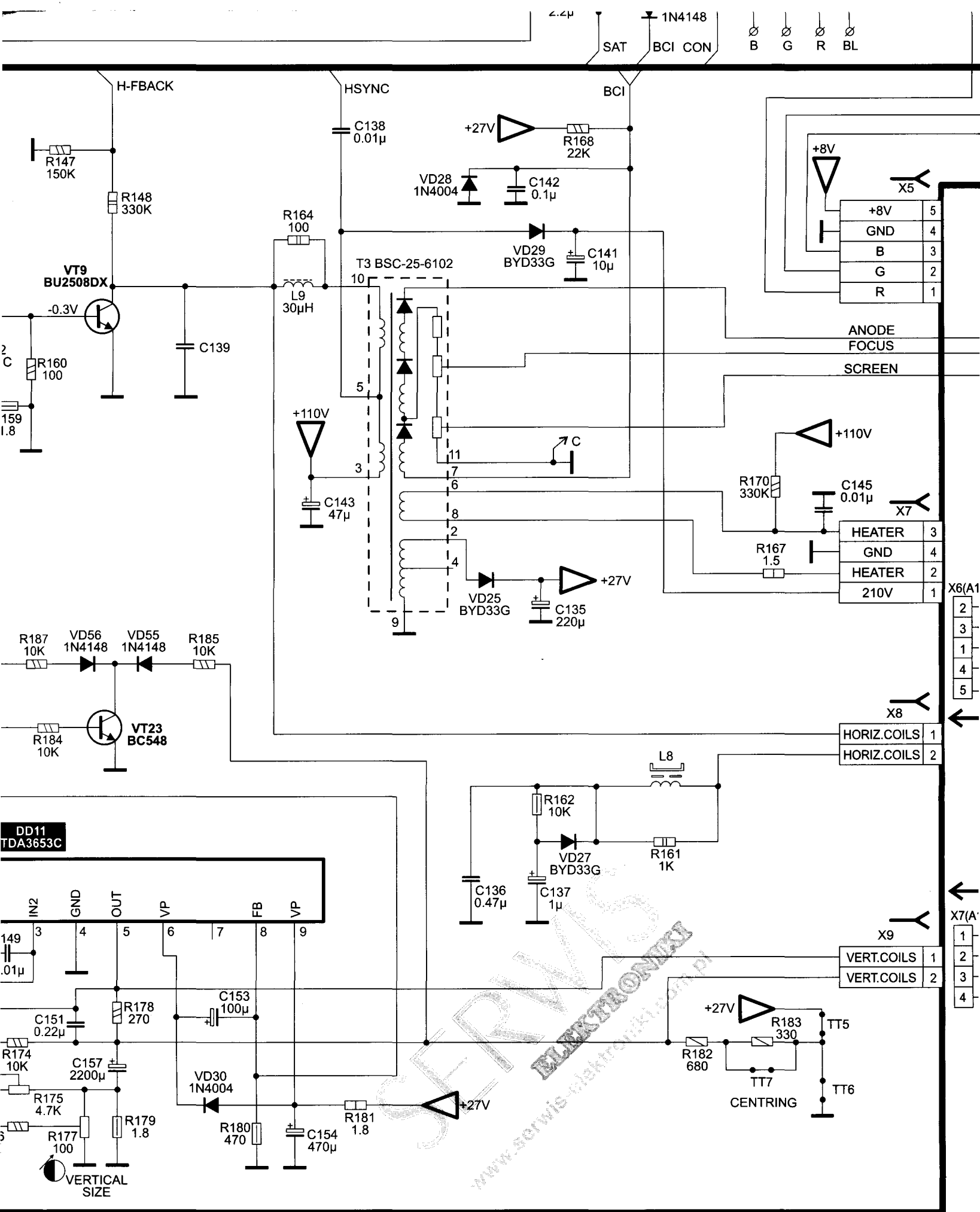
C156

C157

VERTICAL LINEARITY

MAINS 220V, 50Hz

S7
41-1-2A



2.2μ

BRI

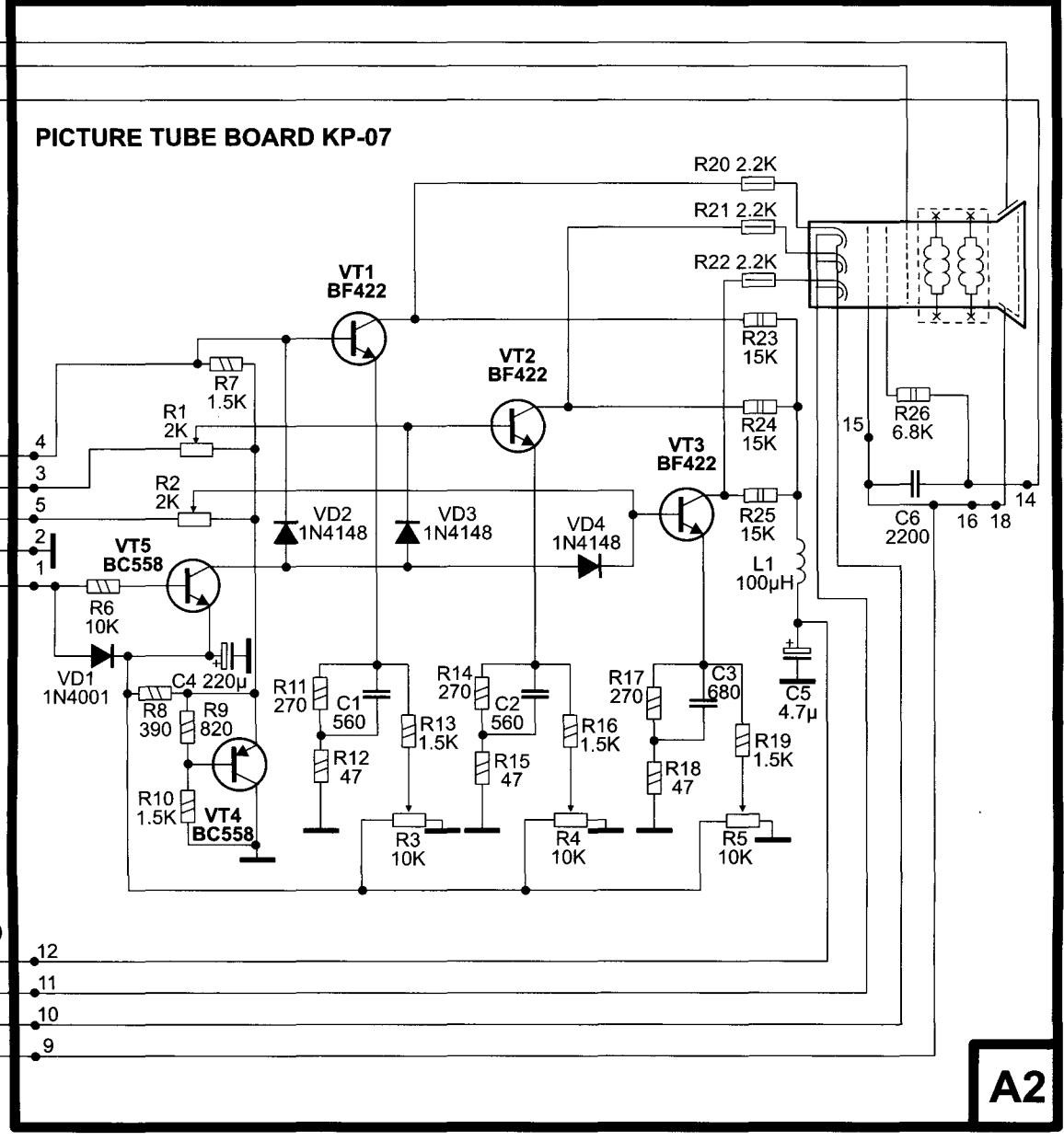
V	5
D	4
	3
	2
	1

ER	3
D	4
ER	2
V	1

COILS	1
COILS	2

9	12
COILS	1
COILS	2
	3
	4
	9

PICTURE TUBE BOARD KP-07



A2

***OTVC Crown modele:
14L3, 14L4, 2001/L, 20L3
chassis TV-91 (strona 1/1)***