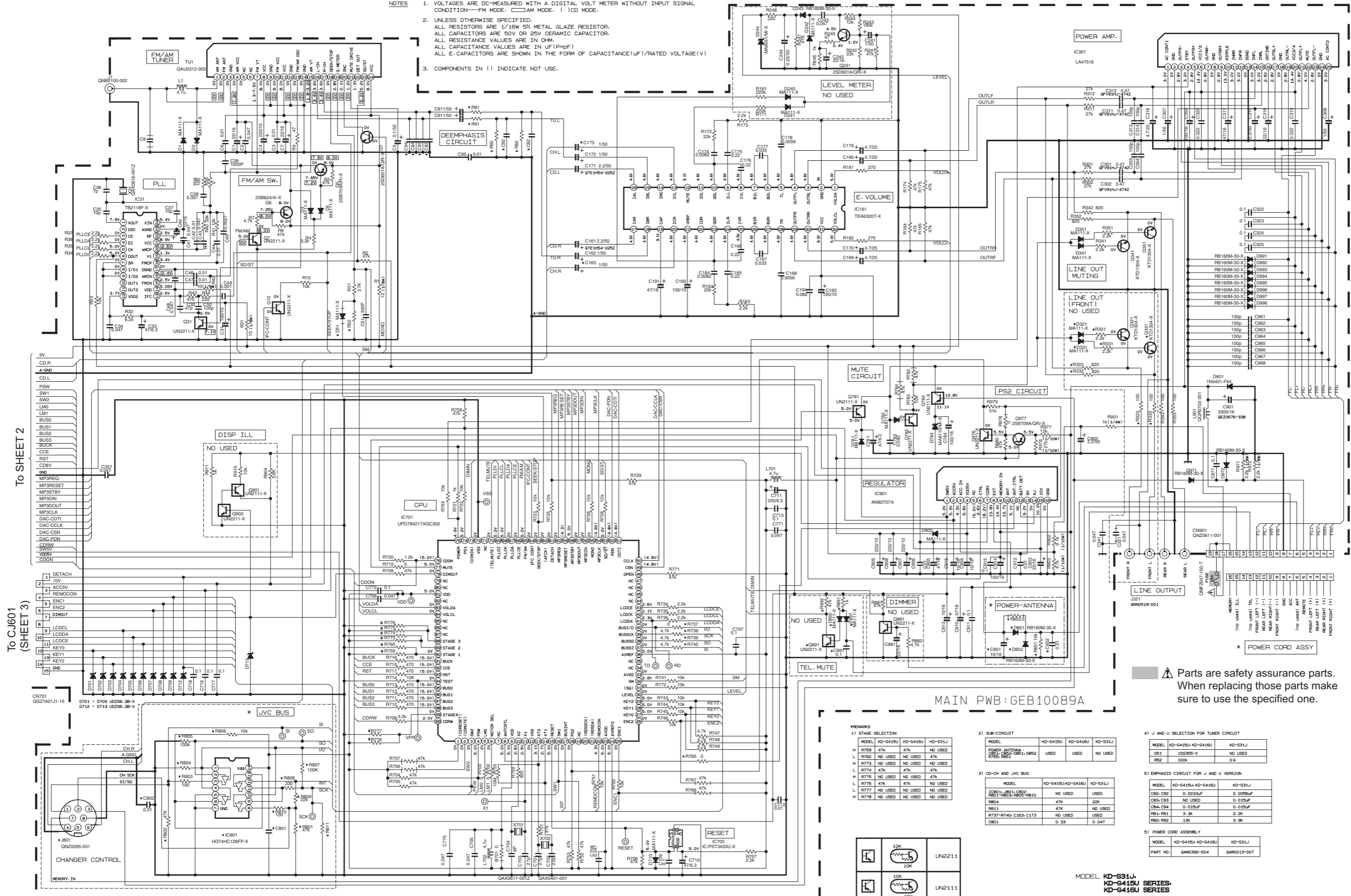


Standard schematic diagrams (for UT, UH, UN and U version)

■ Main amplifier section

- NOTES
- VOLTAGES ARE DC-MEASURED WITH A DIGITAL VOLT METER WITHOUT INPUT SIGNAL CONDITION—FM MODE. □ AM MODE. () CD MODE.
 - UNLESS OTHERWISE SPECIFIED.
ALL RESISTORS ARE 1/16W 5% METAL GLAZE RESISTOR.
ALL CAPACITORS ARE 50V OR 25V CERAMIC CAPACITOR.
ALL RESISTANCE VALUES ARE IN OHM.
ALL CAPACITANCE VALUES ARE IN UF(PF)
ALL E-CAPACITORS ARE SHOWN IN THE FORM OF CAPACITANCE(UF)/RATED VOLTAGE(V)
 - COMPONENTS IN () INDICATE NOT USE.



REMARKS

1) STAGE SELECTION	MODEL	KD-6416U	KD-416U	KD-831J
H	R759	47k	47k	NO USED
L	R760	NO USED	NO USED	47k
H	R773	NO USED	NO USED	NO USED
L	R774	47k	47k	47k
L	R775	NO USED	NO USED	47k
L	R776	47k	47k	NO USED
L	R777	NO USED	NO USED	NO USED
L	R778	NO USED	NO USED	NO USED

2) SUB-CIRCUIT	MODEL	KD-6416U	KD-416U	KD-831J
POWER ANTENNA	C83-C84	NO USED	NO USED	NO USED
R765-R81	USED	USED	NO USED	NO USED

3) CD-CH AND JVC BUS	MODEL	KD-6416U(KD-6416U)	KD-831J
JVC BUS	NO USED	USED	NO USED
R804	47k	NO USED	NO USED
R811	47k	NO USED	NO USED
R737-R740-C163-C173	NO USED	USED	NO USED
C801	0.33	0.047	NO USED

4) J AND U SELECTION FOR TUNER CIRCUIT	MODEL	KD-6416U(KD-6416U)	KD-831J
D51	15S355-X	NO USED	NO USED
R82	100k	0.0	0.0

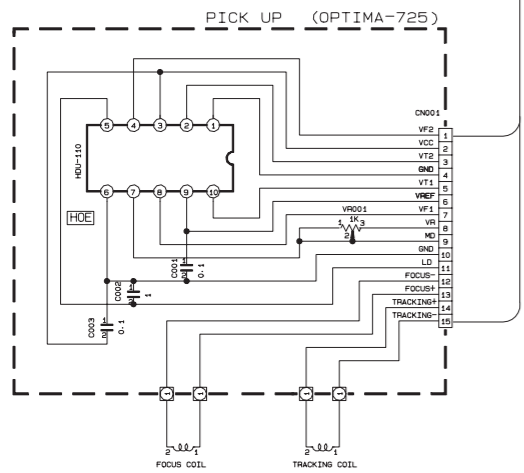
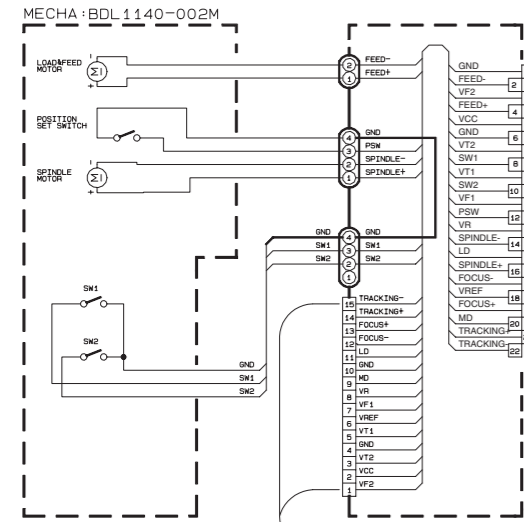
5) EMPHASIS CIRCUIT FOR J AND U VERSION	MODEL	KD-6416U(KD-6416U)	KD-831J
C82-C82	0.0033F	0.0056F	NO USED
C83-C83	NO USED	47k	0.015uF
C84-C84	0.015uF	0.015uF	NO USED
R81-R81	3.3k	2.2k	NO USED
R82-R82	15k	3.9k	NO USED

5) POWER CORD ASSEMBLY	MODEL	KD-6416U(KD-6416U)	KD-831J
PART NO.	G4M0390-004	G4M013-007	

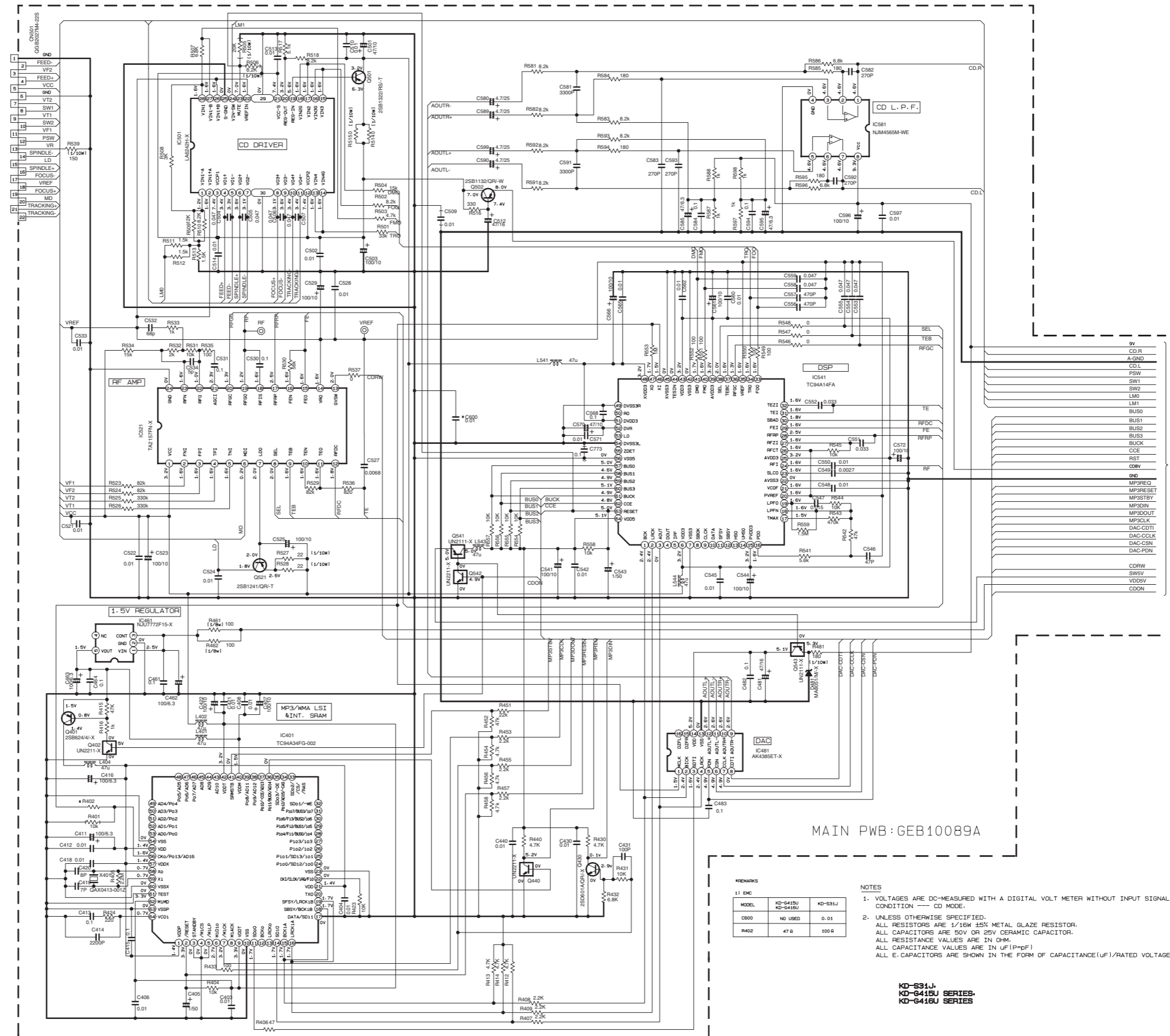
⚠ Parts are safety assurance parts. When replacing those parts make sure to use the specified one.

MODEL KD-831J, KD-6416U SERIES, KD-416U SERIES

CD servo control section



	10K	UN2211
	10K	UN2111



MAIN PWB:GEB10089A

REMARKS

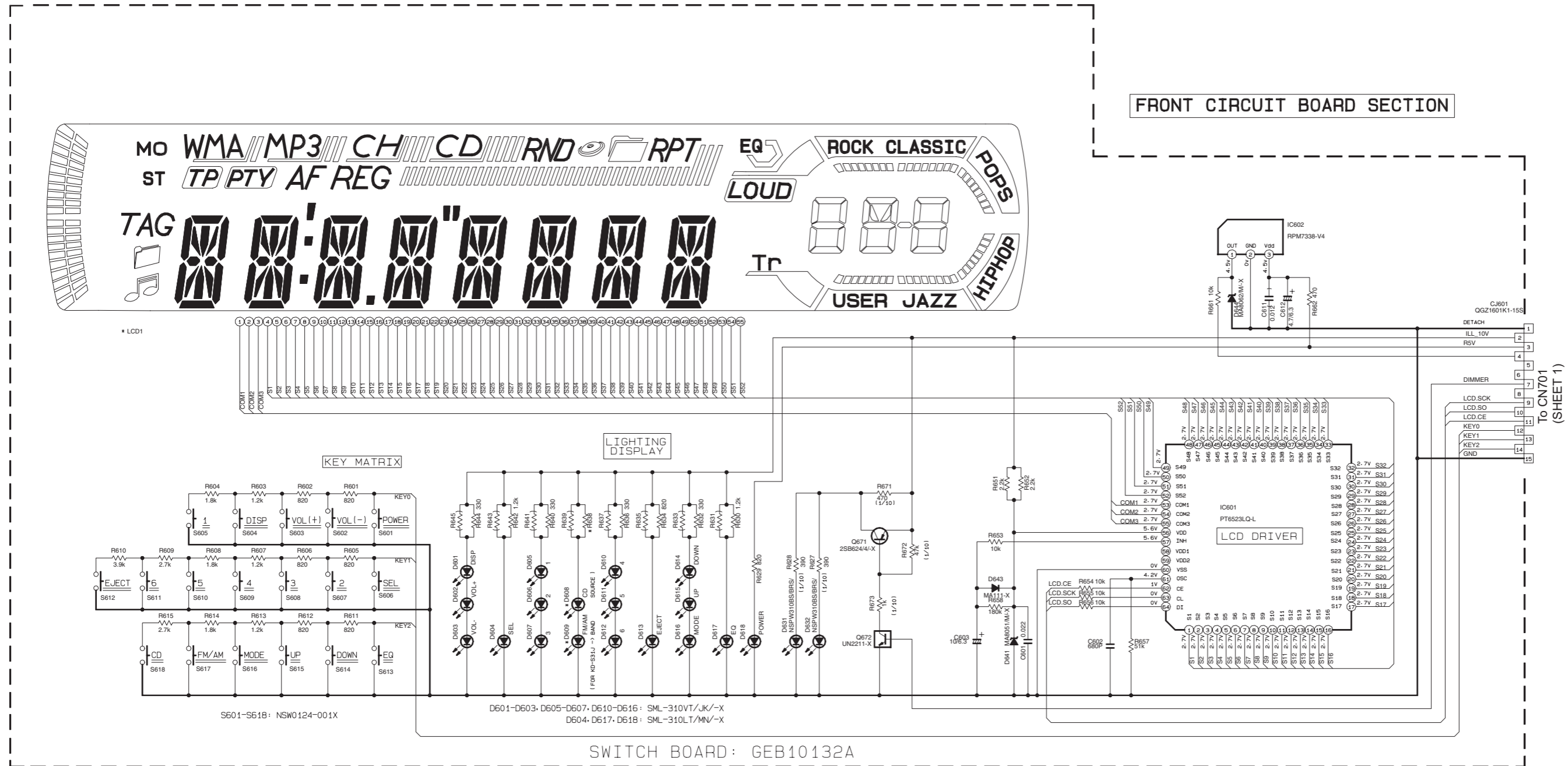
11 EMC		
MODEL	KD-6418U	KD-631U
C600	NO USED	0.01
R402	47 Ω	100 Ω

- NOTES
- VOLTAGES ARE DC-MEASURED WITH A DIGITAL VOLT METER WITHOUT INPUT SIGNAL CONDITION --- CD MODE.
 - UNLESS OTHERWISE SPECIFIED, ALL RESISTORS ARE 1/16W ±5% METAL GLAZE RESISTOR. ALL CAPACITORS ARE 50V OR 25V CERAMIC CAPACITOR. ALL RESISTANCE VALUES ARE IN OHM. ALL CAPACITANCE VALUES ARE IN uF(PpF)

KD-631U,
KD-6418U SERIES,
KD-6416U SERIES

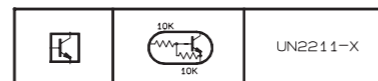
TO SHEET 1

■ LCD & Key control section



*REMARK

MODEL	KD-G415U	KD-G416U	KD-S31J
LCD1	QLD0355-001	QLD0355-001	QLD0350-001
D608, D609	SML310VT/JK/-X	SML310VT/JK/-X	SML310LT/MN/-X
R638	470	470	510



NOTES

- VOLTAGES ARE DC-MEASURED WITH A DIGITAL VOLT METER WITHOUT INPUT SIGNAL.
- UNLESS OTHERWISE SPECIFIED.
ALL RESISTORS ARE 1/16W METAL GLAZE RESISTORS.
ALL CAPACITORS ARE 50V OR 25V CERAMIC CAPACITOR.
ALL RESISTANCE VALUES ARE IN OHM.
ALL CAPACITANCE VALUES ARE IN uF(P=pF)
ALL E. CAPACITORS ARE SHOWN IN THE FORM OF CAPACITANCE(uF)/RATED VOLTAGE(V)
T --- TANTALUM CAPACITOR.
- COMPONENTS IN () INDICATE NOT USE.

MODEL **KD-S31J.**
KD-G415U SERIES.
KD-G416U SERIES