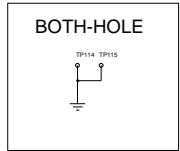
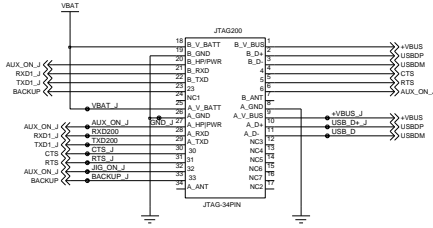
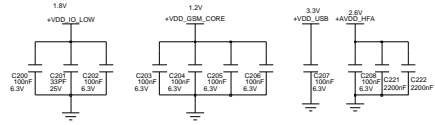
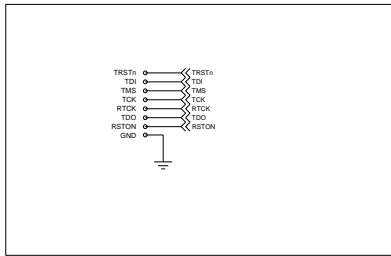


| | VC1 | VC2 |
|-----------------------|-----|-----|
| Tx(GSM850/900) | H | L |
| Tx(DCS1800/1900) | L | H |
| Rx(850/900/1800/1900) | L | L |

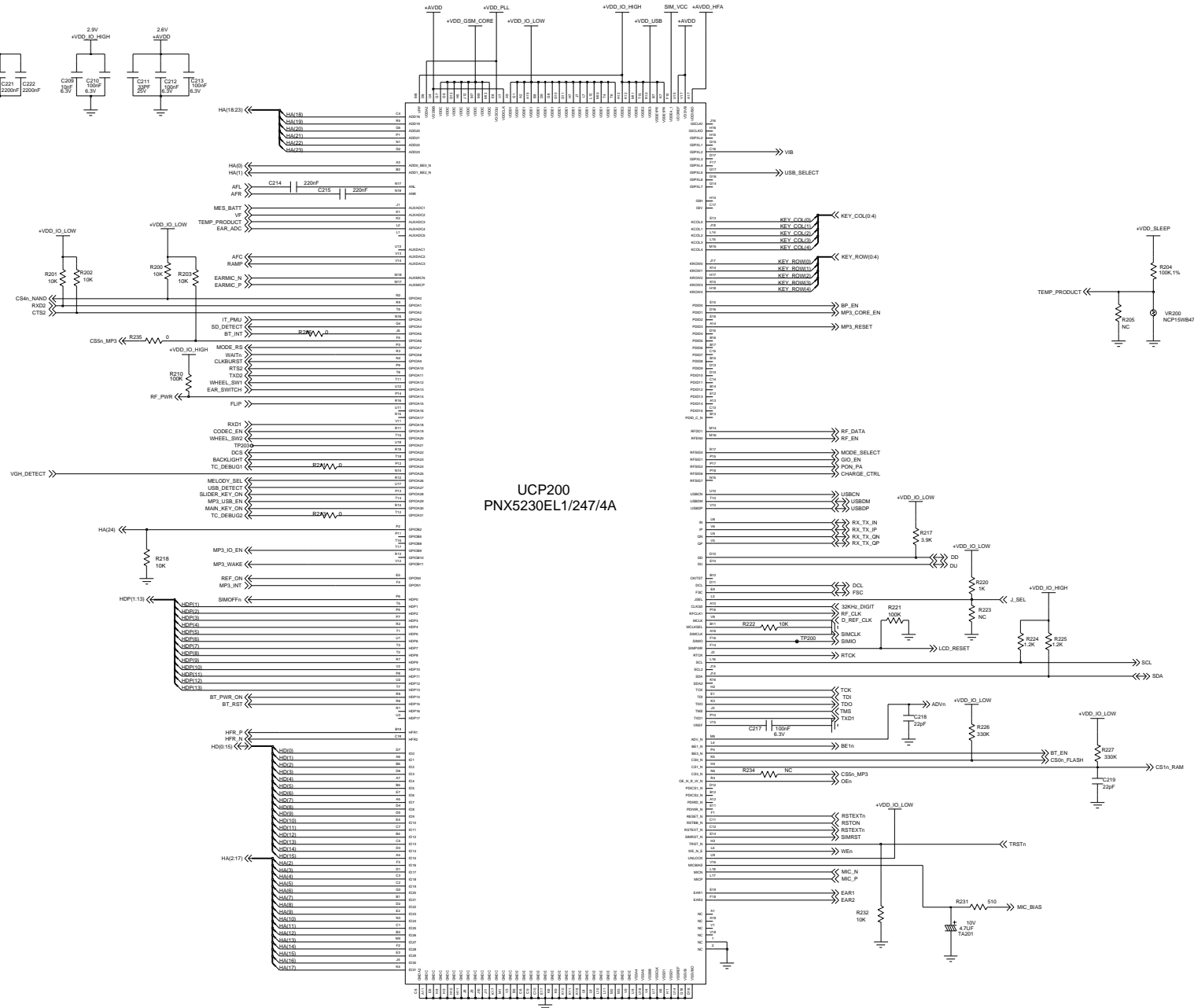




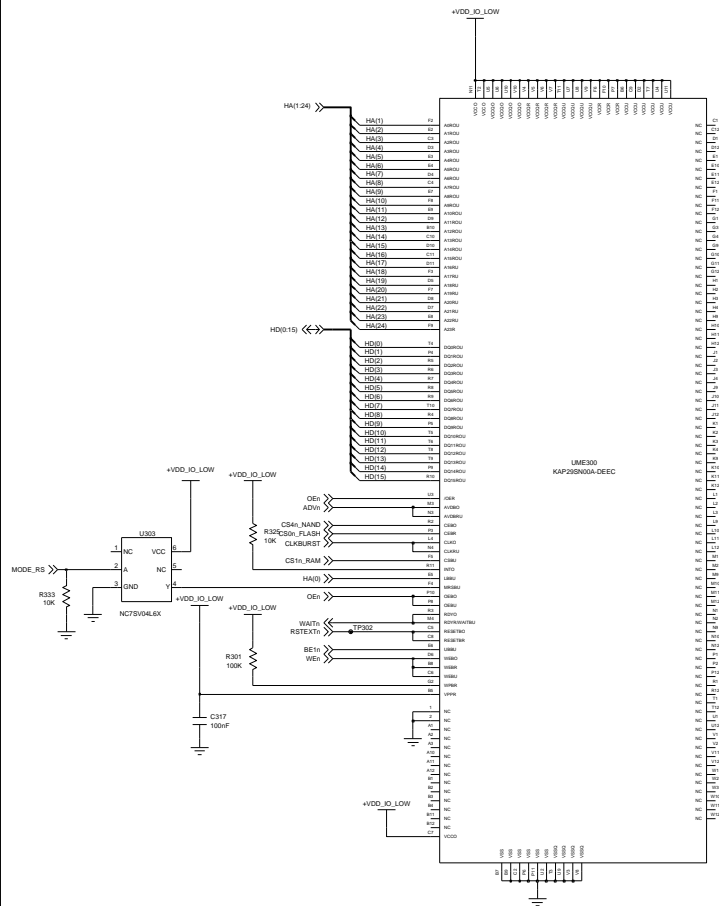
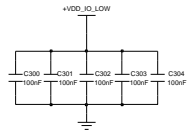
J-TAG34



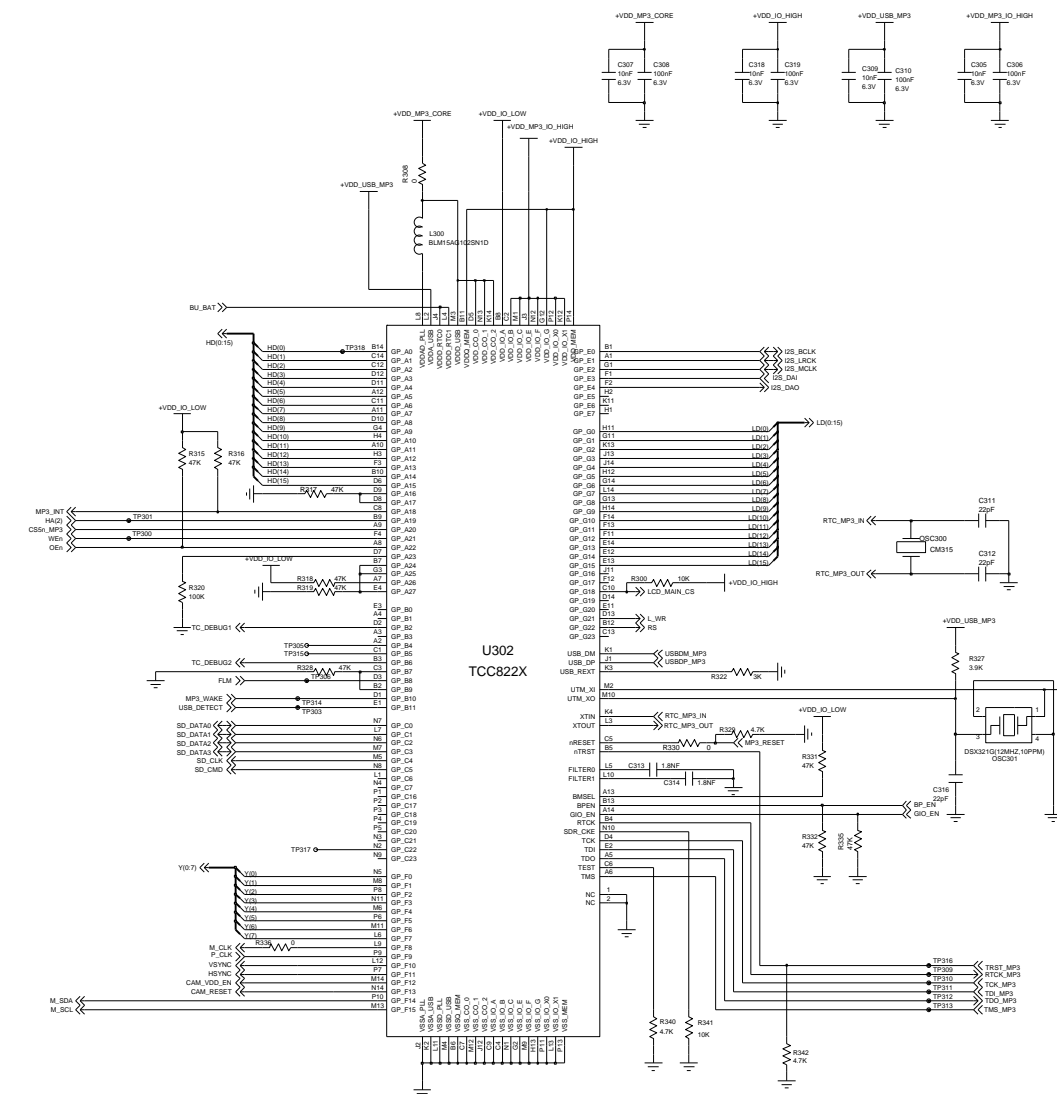
JTAG_TP



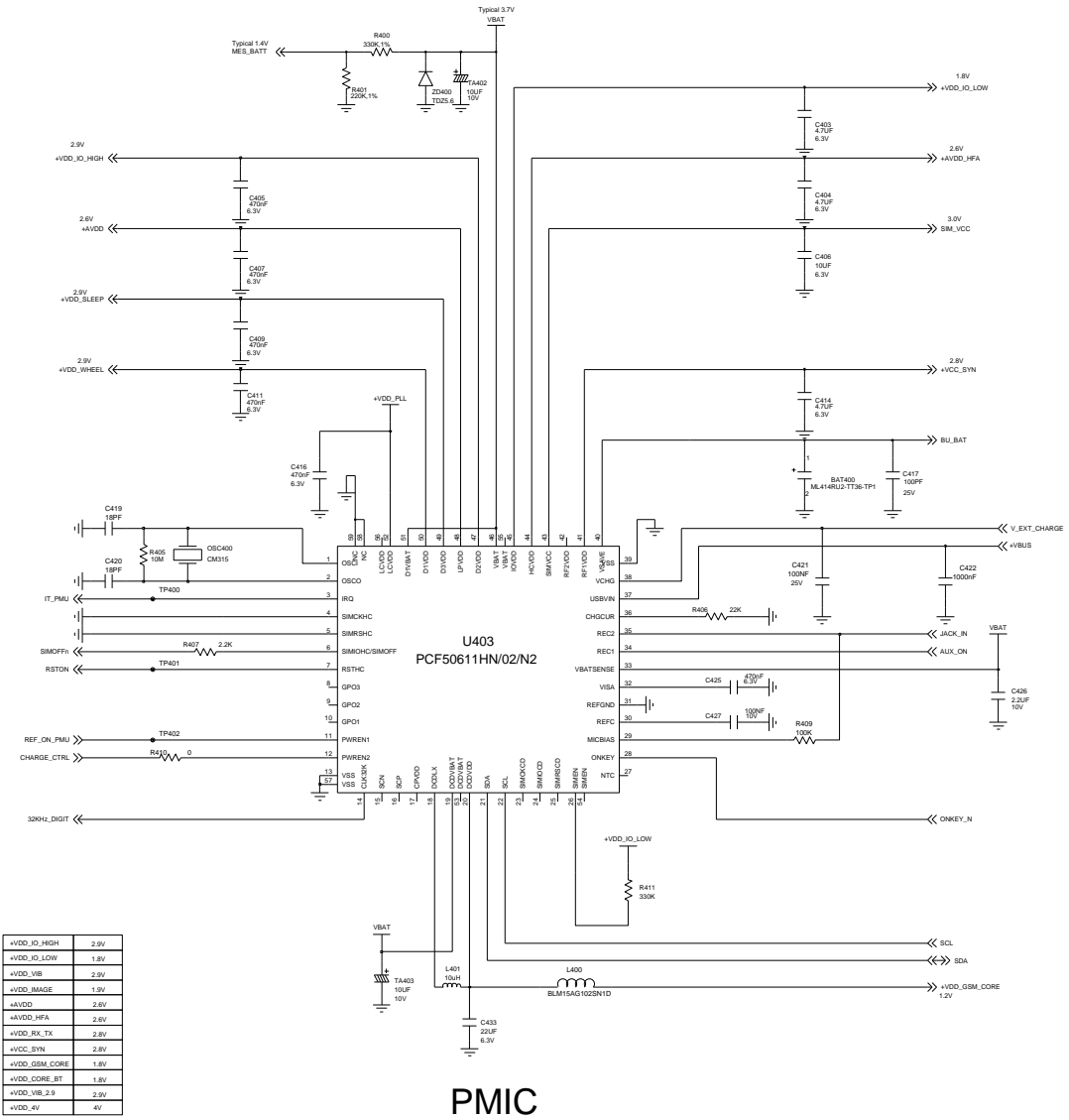
BASEBAND



MEMORY
(256M NOR x 512 NAND x 256M UTRAM)

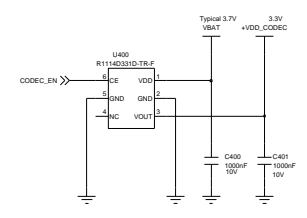


MULTI MEDIA CHIP

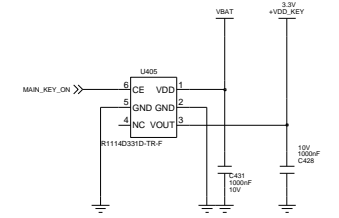


| | |
|---------------|------|
| +VDD_IO_HIGH | 2.9V |
| +VDD_IO_LOW | 1.8V |
| +VDD_VIB | 2.9V |
| +VDD_IMAGE | 1.9V |
| +VDD | 2.6V |
| +VDD_HFA | 2.6V |
| +VDD_RX_TX | 2.8V |
| +VDD_GSM_CORE | 1.8V |
| +VDD_CORE_B7 | 1.8V |
| +VDD_VIB_2P | 2.9V |
| +VDD_4V | 4V |

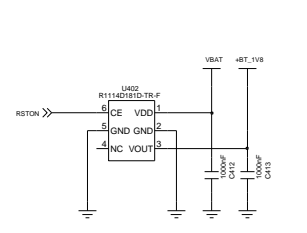
PMIC



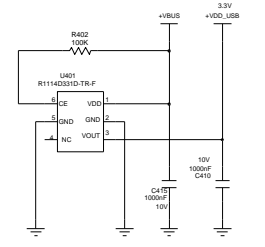
CODEC



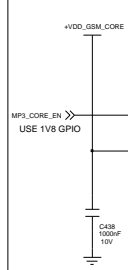
KEY



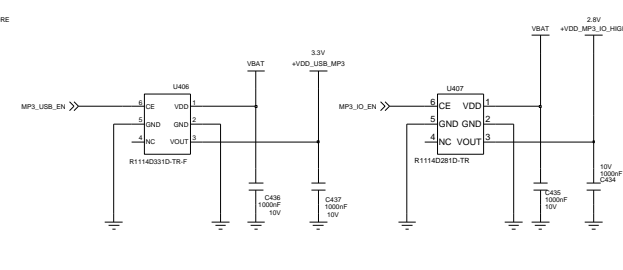
BLUETOOTH

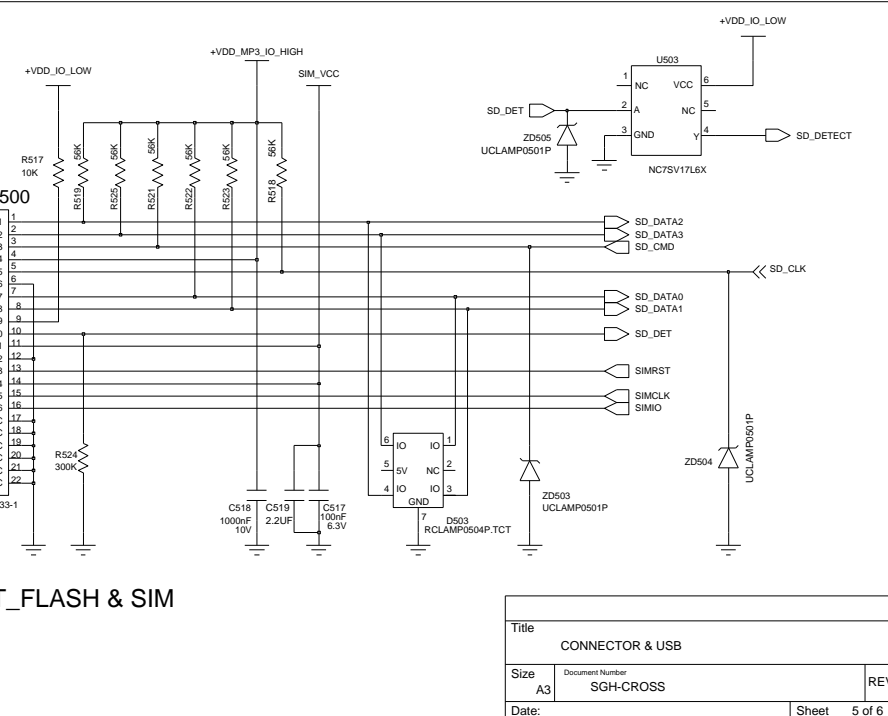
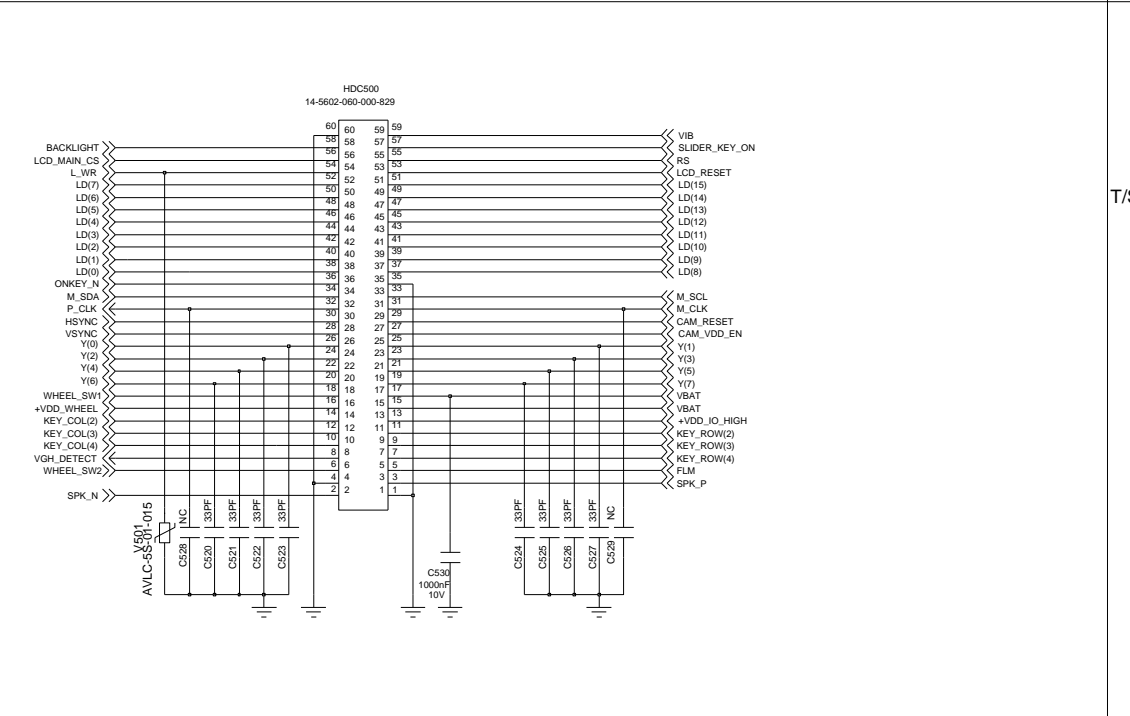
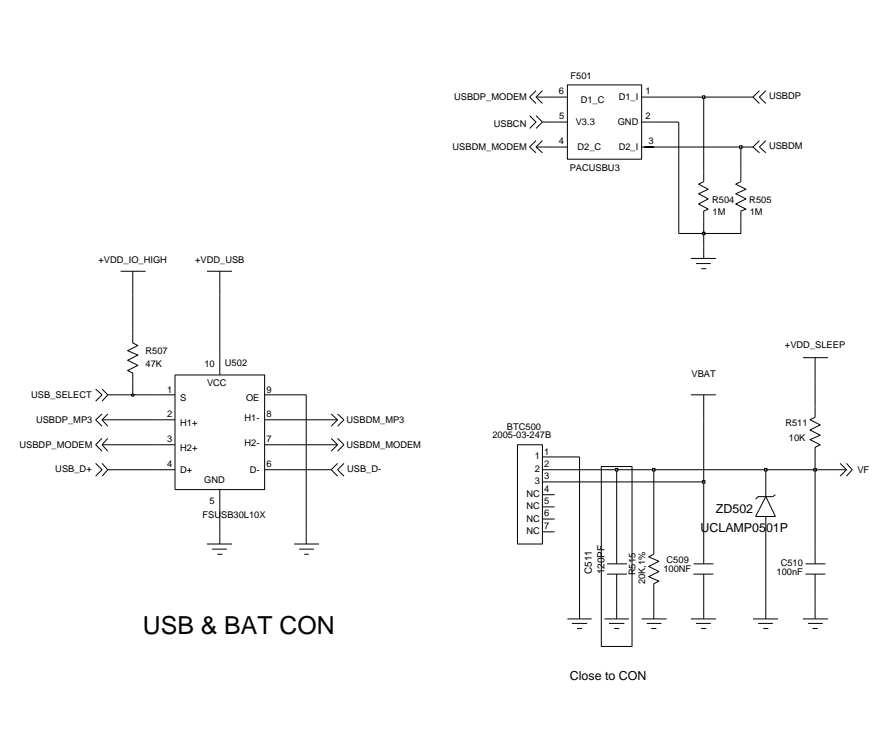
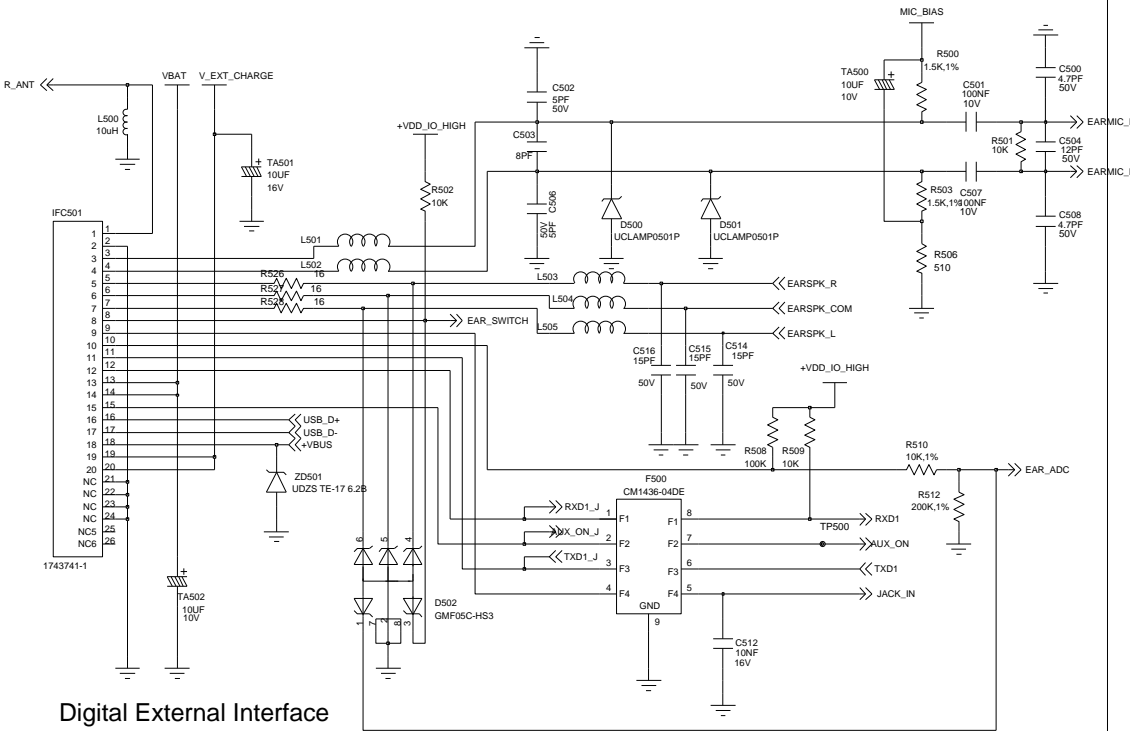


USB

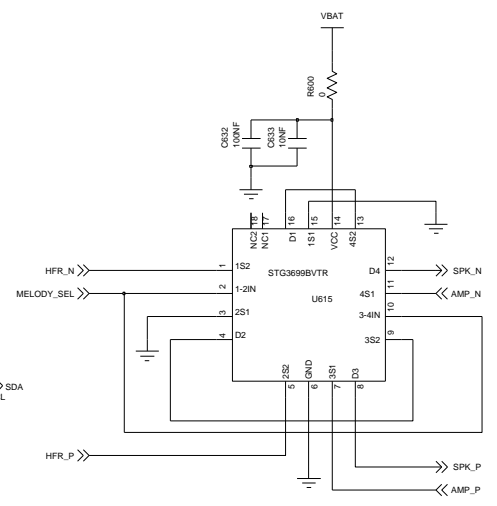
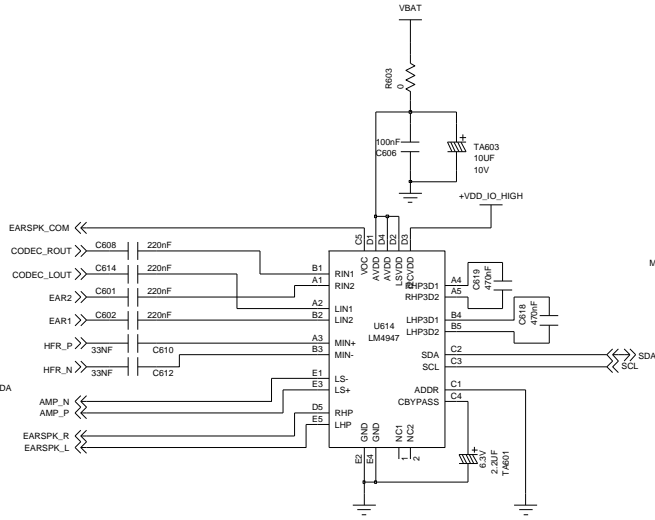
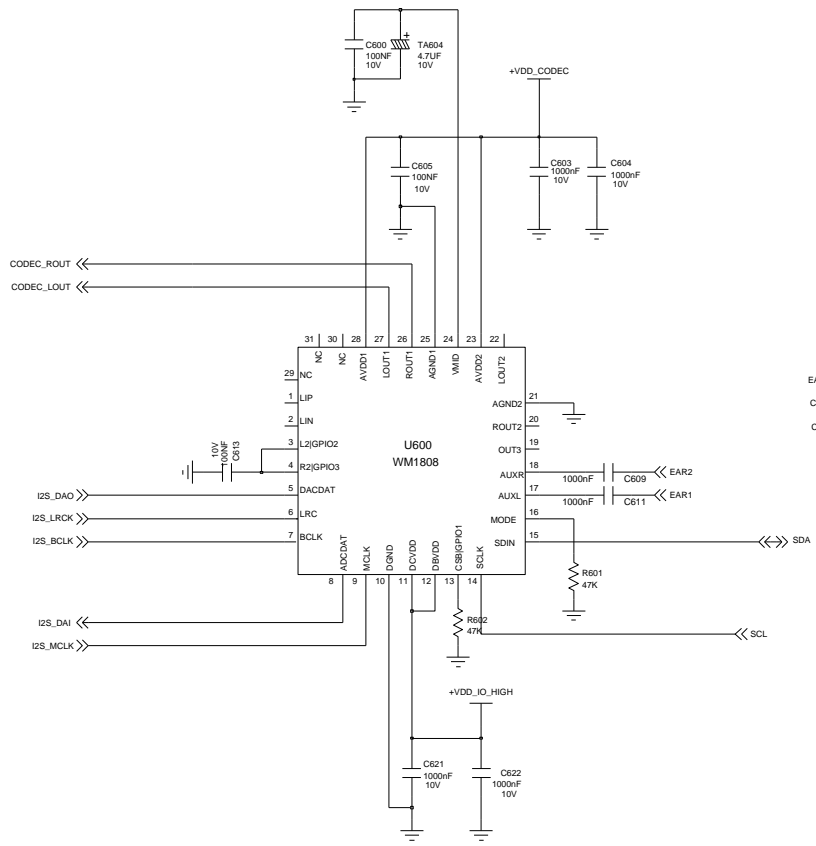


TELECHIPS

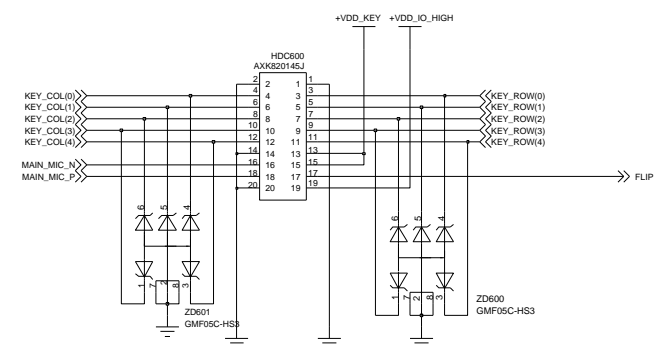
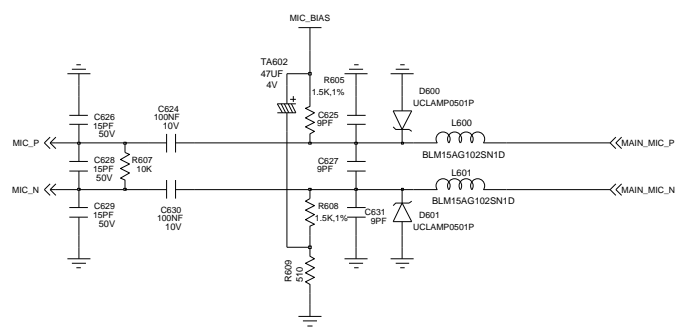




| | | |
|-----------------|-----------------|--------|
| Title | | |
| CONNECTOR & USB | | |
| Size | Document Number | REV0.5 |
| A3 | SGH-CROSS | |
| Date: | Sheet 5 of 6 | |



| | | |
|------------|--------|-------|
| | H | L |
| MELODY_SEL | MELODY | VOICE |



MAIN KEY MAP

