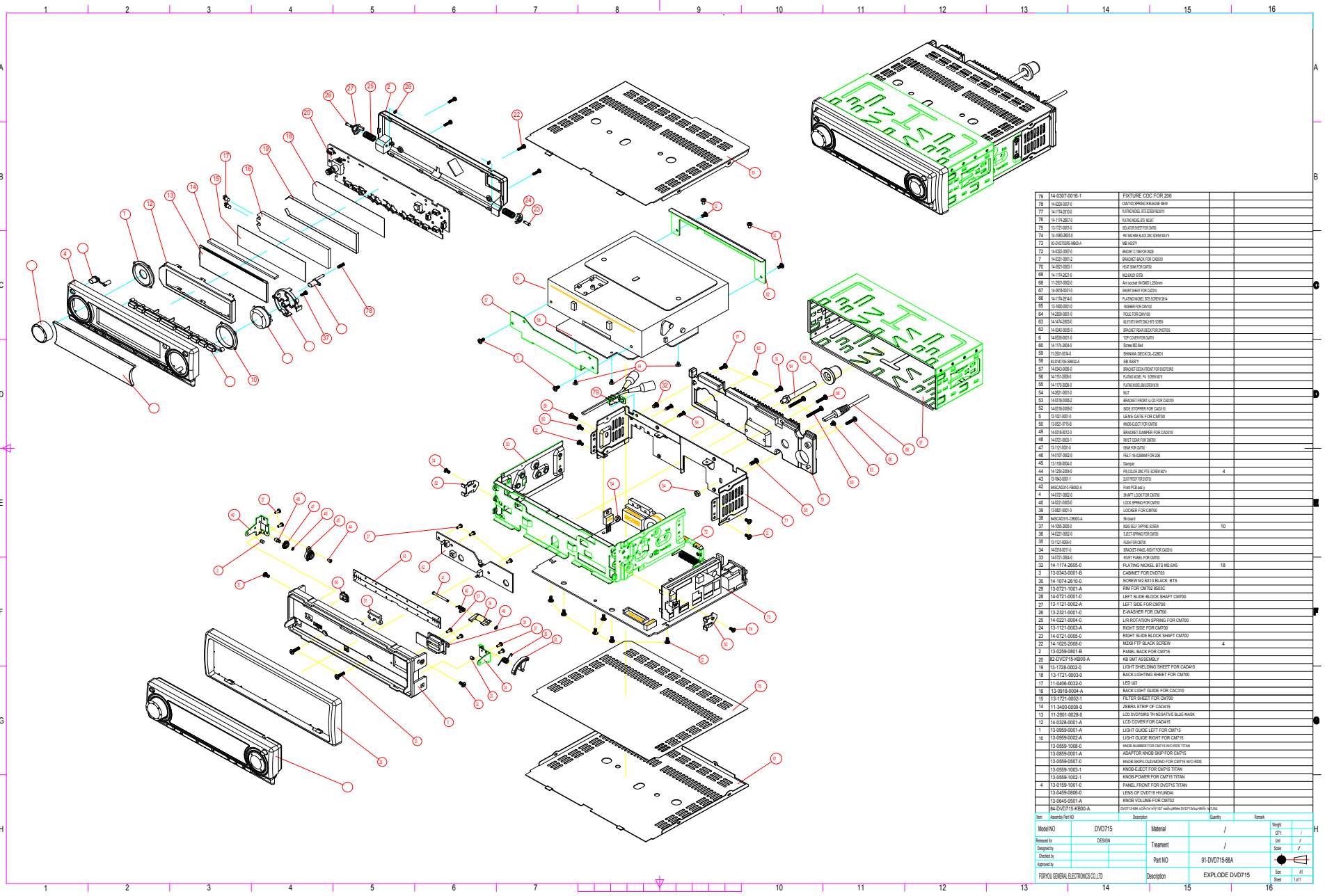
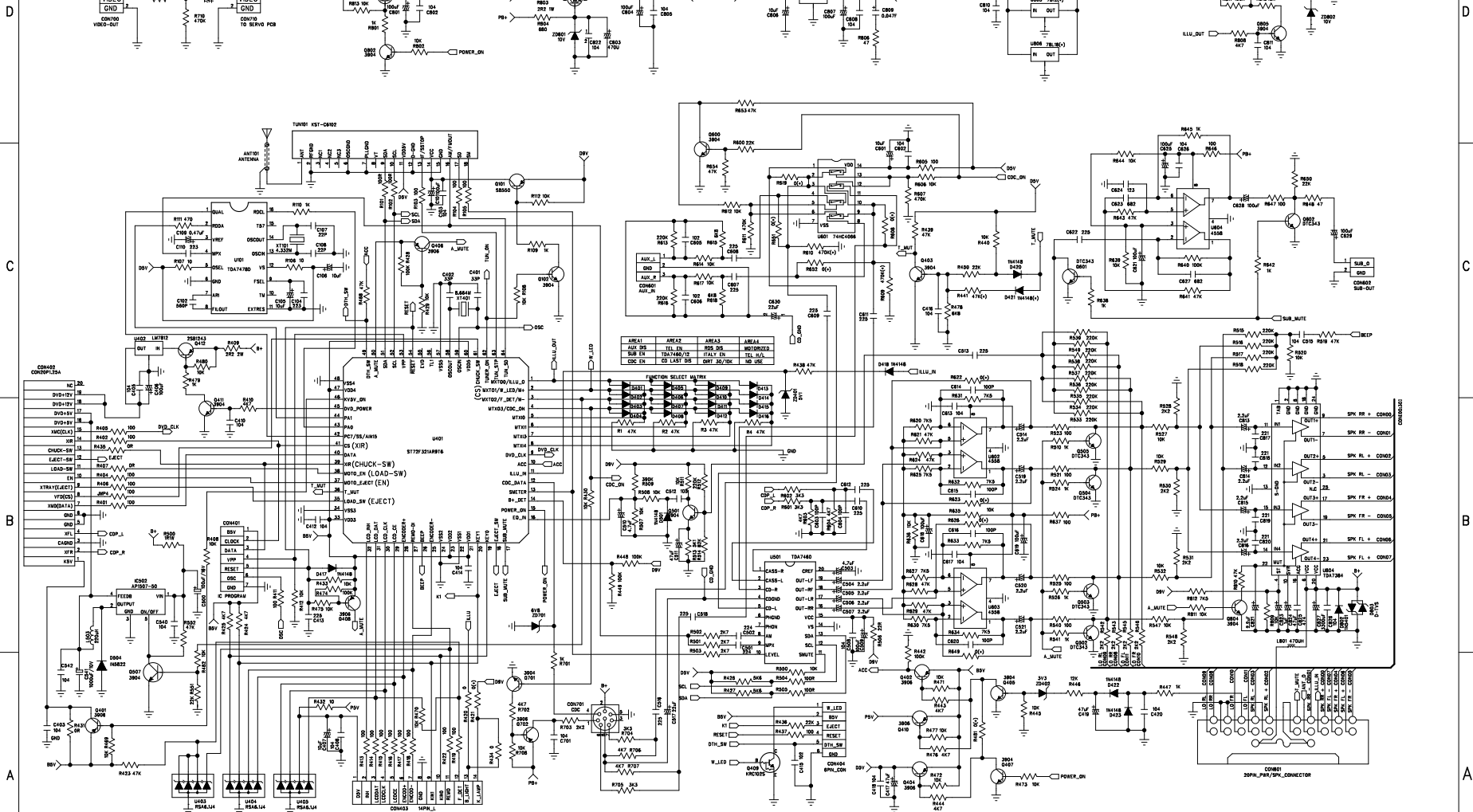


# Service Manual H-CMD7071

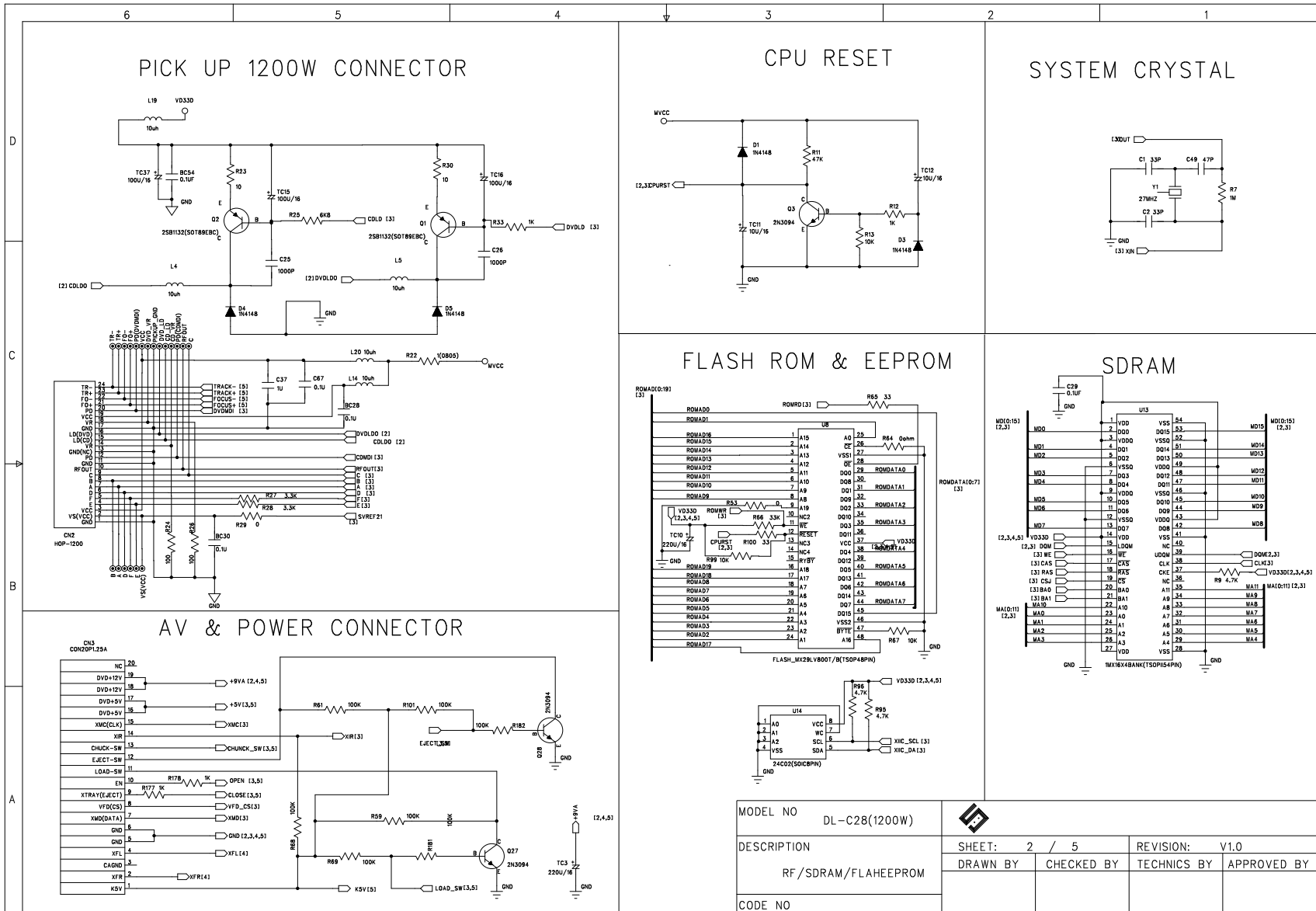


Part No	Description	Quantity	Remarks
79	14-0307-0016-F	1	FIXTURE CORD FOR 200
78	14-0200-01C	1	CONVERTER RESISTOR
77	14-1714-010C	1	PLATING NICKEL B7S BUSH
76	14-1714-010D	1	PLATING NICKEL B7S BUSH
75	13-0214-010	1	BACKLAMP COVER
74	14-1000-010C	1	IN HOME JACKING SCREW SET
73	14-0420-010A	1	MB ASBY
72	14-022-010	1	BRACKET FOR CADDIS
71	14-022-010C	1	BRACKET FOR CADDIS
70	14-021-0001	1	HEAT SHIELD FOR CADDIS
69	14-1714-010E	1	MS BLACK B7S
68	14-020-010C	1	IN HOME BRIDGE LAMP
67	14-018-010	1	SHORT SHEET FOR CADDIS
66	14-1714-010E	1	PLATING NICKEL B7S SCREW 20H
65	14-020-010	1	BRIDGE FOR CADDIS
64	14-020-010A	1	POSS FOR CADDIS
63	14-1424-010C	1	KEYSET BRACKET FOR CADDIS
62	14-0424-010	1	BRACKET FRONT FOR CADDIS
61	14-020-010C	1	TOP COVER FOR CADDIS
60	14-1714-010A	1	Screw M2.6x
59	14-020-010A	1	BRACKET FRONT FOR CADDIS
58	14-0424-010A	1	BRACKET FRONT FOR CADDIS
57	14-0424-010C	1	BRACKET FRONT FOR CADDIS
56	14-1714-010E	1	PLATING NICKEL B7S SCREW
55	14-020-010	1	BRIDGE FOR CADDIS
54	14-020-010	1	NET
53	14-018-010C	1	BRACKET FRONT FOR CADDIS
52	14-018-010	1	BRACKET FRONT FOR CADDIS
51	14-020-010	1	BRIDGE FOR CADDIS
50	13-020-010E	1	INDEX SELECT FOR CADDIS
49	14-020-010	1	BRACKET FRONT FOR CADDIS
48	14-020-010	1	BRACKET FRONT FOR CADDIS
47	13-110-010	1	LENS FOR CADDIS
46	14-020-010	1	FEELER BRUSH FOR CADDIS
45	13-020-010	1	SHIELD
44	14-0424-010	1	BRACKET FRONT FOR CADDIS
43	13-040-010	1	LET PROF FOR CADDIS
42	14-0424-010A	1	SHIELD FOR CADDIS
41	14-020-010	1	BRIDGE FOR CADDIS
40	14-020-010	1	LOCK SPRING FOR CADDIS
39	14-020-010	1	LOCKER FOR CADDIS
38	14-020-010A	1	SHIELD FOR CADDIS
37	14-020-010	1	SELECT SPRING FOR CADDIS
36	13-110-010	1	LENS FOR CADDIS
35	14-020-010	1	BRACKET FRONT FOR CADDIS
34	14-020-010	1	BRACKET FRONT FOR CADDIS
33	14-020-010	1	BRACKET FRONT FOR CADDIS
32	14-1714-010D	1	PLATING NICKEL B7S BUSH
31	13-0424-010B	1	CABINET FOR CADDIS
30	14-1074-2010-D	1	SCREW M2.6X10 BLACK B7S
29	13-0725-1001-A	1	RM FOR CADDIS BRIDGE
28	14-0725-1001-D	1	LEFT BLUE LOCK SHAFT CADDIS
27	13-1121-0002-A	1	LEFT SLIDE FOR CADDIS
26	13-2321-1001-D	1	E-WASHER FOR CADDIS
25	14-0221-0004-D	1	LINK BELT FOR SPRING FOR CADDIS
24	13-1121-0003-A	1	RIGHT SLIDE FOR CADDIS
23	14-0721-0005-D	1	RIGHT BLUE LOCK SHAFT CADDIS
22	14-1025-2100-D	1	MOTOR P/F BLACK SCREW
21	13-0200-010B	1	PANEL BACK FOR CADDIS
20	92-EVD715-8800-A	1	KB BMT ASSEMBLY
19	13-1728-0002-D	1	LIGHT SHIELDING SHEET FOR CADDIS
18	13-1728-0003-D	1	BACK LIGHTING SHEET FOR CADDIS
17	11-0486-0022-D	1	LED LENS
16	13-0918-0004-A	1	BACK LIGHT GUIDE FOR CADDIS
15	11-1741-0002-F	1	FILTER SHEET FOR CADDIS
14	11-0400-0008-D	1	ZERONA STRIP OF CADDIS
13	11-0601-0028-D	1	LCD DIVIDERS IN NEGATIVE BLUE-MASK
12	14-0228-0001-A	1	LIGHT COVER FOR CADDIS
11	13-0909-0001-A	1	LIGHT GUIDE LEFT FOR CADDIS
10	13-0909-0002-A	1	LIGHT GUIDE RIGHT FOR CADDIS
9	13-0909-1008-D	1	KNOB FOR CADDIS WITH TITAN
8	13-0909-1009-A	1	KNOB FOR CADDIS WITH TITAN
7	13-0909-1002-1	1	KNOB SELECT FOR CADDIS TITAN
6	13-0909-1002-1	1	KNOB SELECT FOR CADDIS TITAN
5	13-0909-1001-D	1	PANEL FRONT FOR CADDIS TITAN
4	13-0409-0808-D	1	LENS OF DVD715-HYUNDAI
3	13-0409-0801-A	1	KNOB VOLUME FOR CADDIS
2	92-EVD715-8800-A	1	KB BMT ASSEMBLY

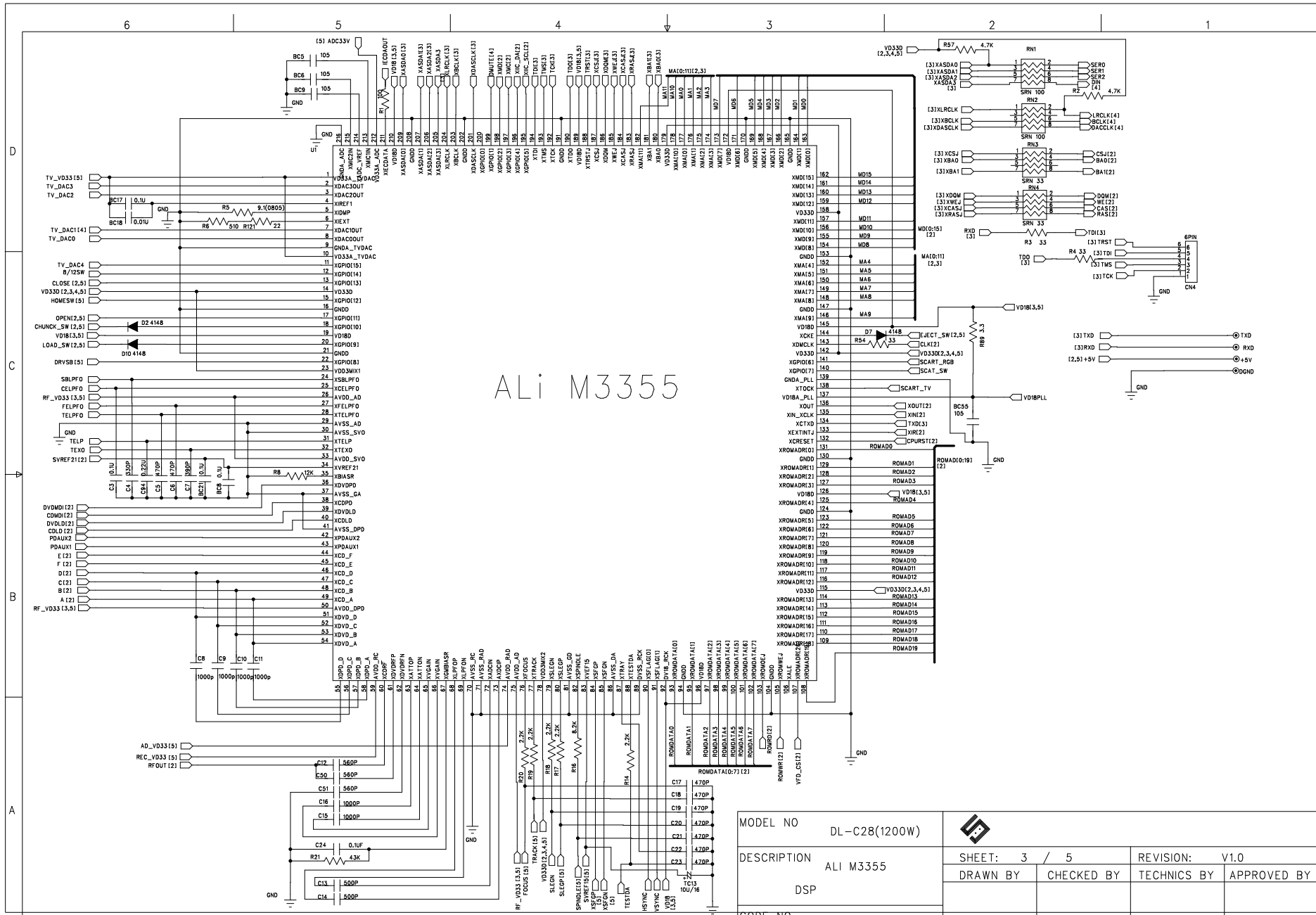
Model NO	DVD715	Material	/	Weight
Released by	DESIGN	Treatment	/	g
Designed by		Part NO	91-DVD715-88A	mm
Checked by				Scale
Approved by				Size A1
FSP/GEN/EL/EXPLODE		Description	EXPLODE DVD715	Sheet 1 of 1



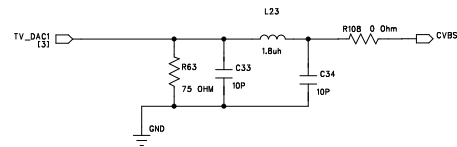
FORYOU MULTIMEDIA ELECTRONICS CO., LTD.		MATERIAL:		DRAWING BY	
FILE NAME	DVD703RS-MB	VERSION	A1.0	CHECKED BY	
BLOCK	PAGE 1	DATE	Sep.20 2005	APPROVED BY	



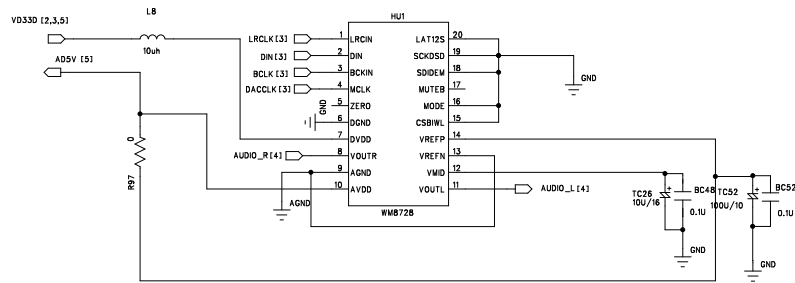
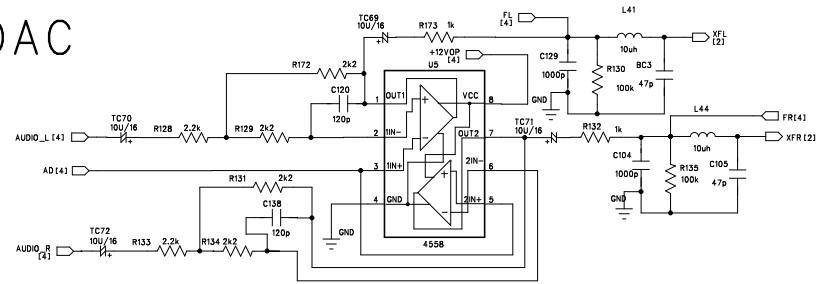
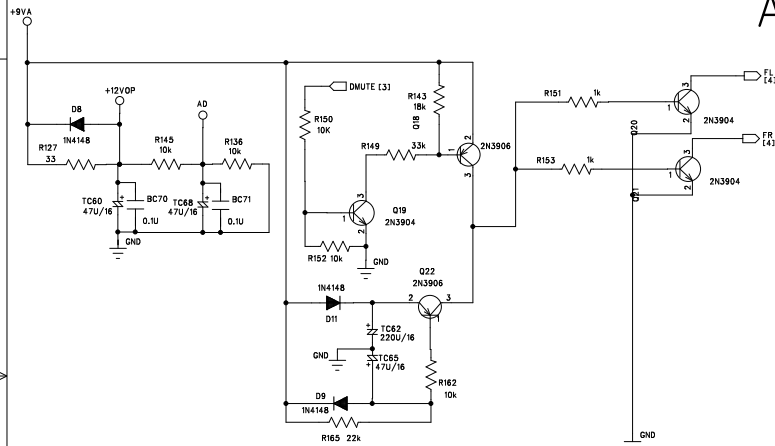
MODEL NO	DL-C28(1200W)		
DESCRIPTION	RF/SDRAM/FLASH/EEPROM		
CODE NO		SHEET: 2 / 5	REVISION: V1.0
		DRAWN BY	CHECKED BY
		TECHNICS BY	APPROVED BY



# Video Channel

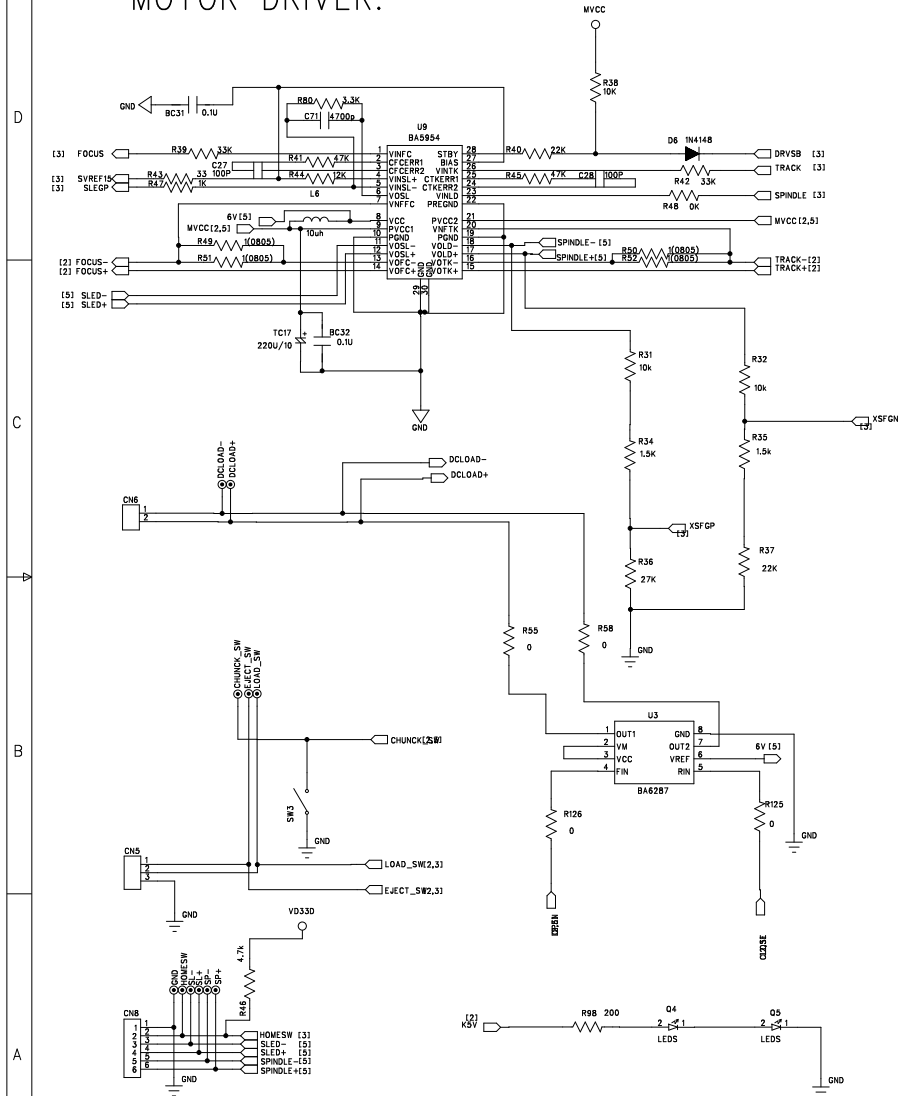


# Audio DAC

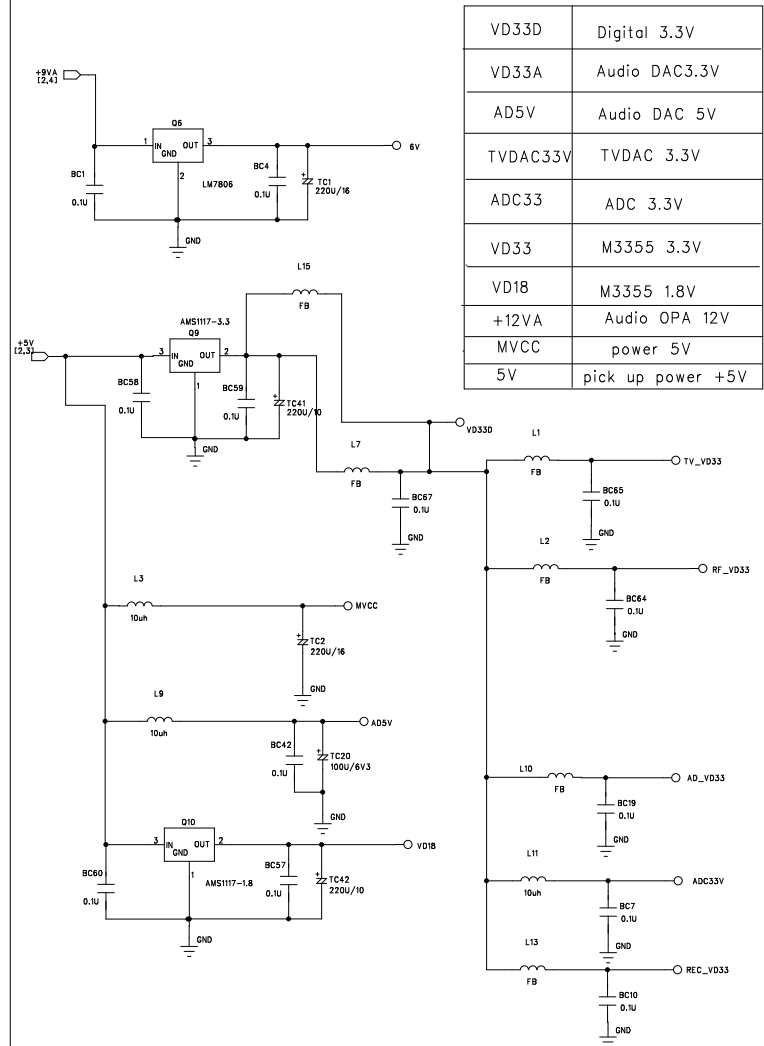


MODEL NO	DL-C28(1200W)			
DESCRIPTION	SHEET: 4 / 5		REVISION: V1.0	
	DRAWN BY	CHECKED BY	TECHNICS BY	APPROVED BY
CODE NO				

# MOTOR DRIVER:

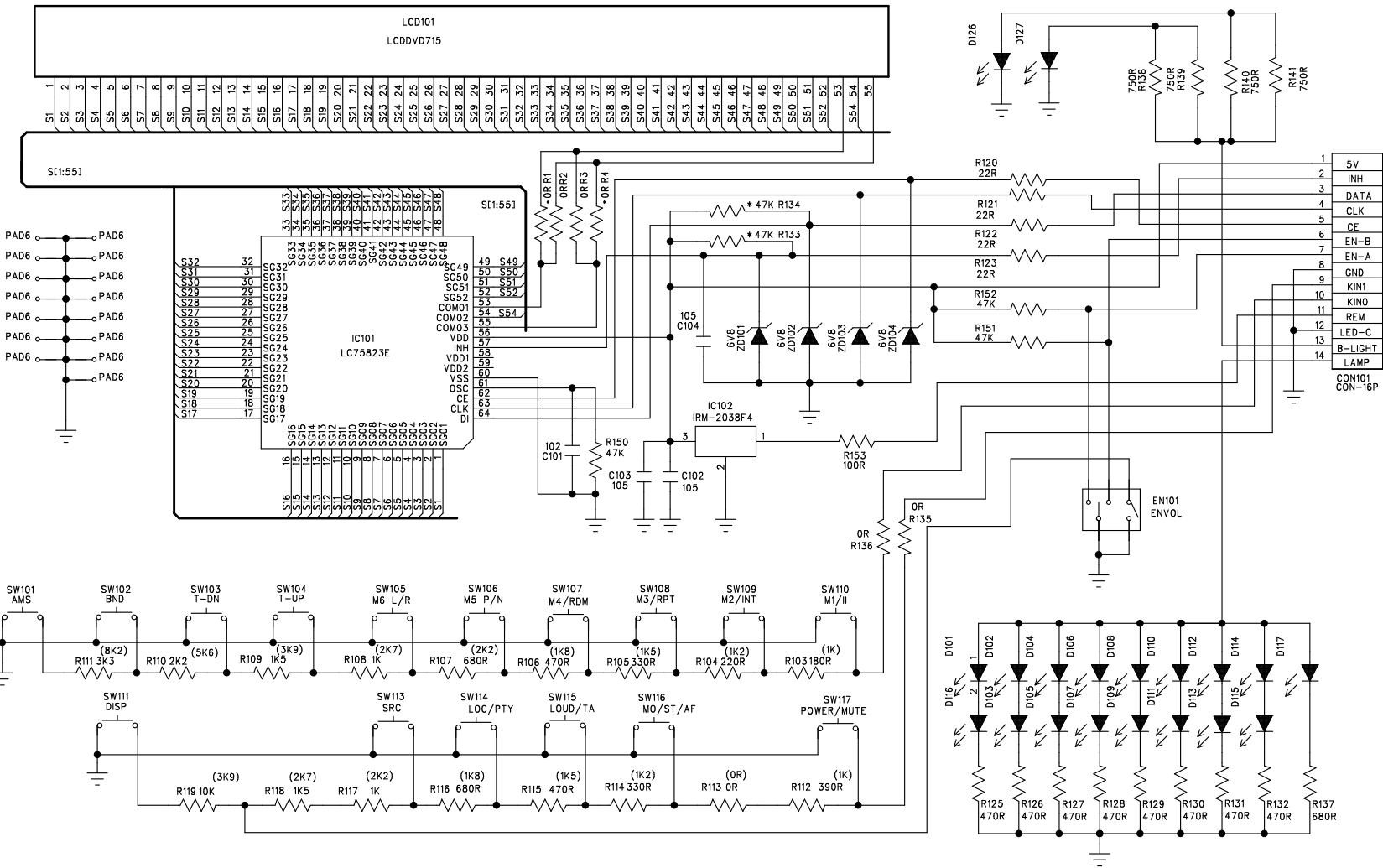


# POWER SUPPLY:



VD33D	Digital 3.3V
VD33A	Audio DAC3.3V
AD5V	Audio DAC 5V
TVDAC33V	TVDAC 3.3V
ADC33	ADC 3.3V
VD33	M3355 3.3V
VD18	M3355 1.8V
+12VA	Audio OPA 12V
MVCC	power 5V
5V	pick up power +5V

MODEL NO	DL-C28(1200W)		
DESCRIPTION	POWER /DRIVER		
SHEET: 5 / 5		REVISION: V1.0	
DRAWN BY		CHECKED BY	TECHNICS BY
APPROVED BY			
CODE NO			



	R103	R104	R105	R106	R107	R108	R109	R110	R111	R112	R113	R114	R115	R116	R117	R118	R119
DVD715RS	180R	220R	330R	470R	680R	1K	1K5	2K2	3K3	390R	OR	330R	470R	680R	1K	1K5	10K
DVD715T	1K	1K2	1K5	1K8	2K2	2K7	3K9	5K6	8K2	1K	OR	1K2	1K5	1K8	2K2	2K7	3K9

	R1	R2	R3	R4
DVD715RS LCD 11-2601-0028-0	/	OR	OR	/
DVD715RS LCD 11-2602-0027-0	/	OR	OR	/
DVD715RS LCD 11-2602-0021-0	OR	/	/	OR

FORYOU MULTIMEDIA ELECTRONICS CO., LTD.		MATERIAL: 1.2MM DOUBLE SIDE		DRAWING BY	
FILE NAME	DVD715RSKB	VERSION	B	CHECKED BY	
BLOCK	PCB NO:11-1821-0910--0	DATE	2005 NOV-28	APPROVED BY	
PAGE	1				



**DVD715 / H-CMD7071 BOM**

<b>Description</b>	<b>Unit</b>	<b>Qty</b>	<b>Position1</b>
DVD715-68A Titan panel□button in red backlight, DVD7	PCS	1	
DVD715 red backlight, SMT KB ASS'Y	PCS	1	
RMF 0Ω 1/16W ±5% SMT 0603	PCS	3	R135 R136 R113
RMF 180Ω 1/16W ±5% SMT 0603	PCS	1	R103
RMF 220Ω 1/16W ±5% SMT 0603	PCS	1	R104
RMF 330Ω 1/16W ±5% SMT 0603	PCS	2	R105 R114
RMF 470Ω 1/16W ±5% SMT 0603	PCS	2	R106 R115
RMF 22Ω 1/16W ±5% SMT 0603	PCS	4	R120~123
RMF 680Ω 1/16W ±5% SMT 0603	PCS	2	R107 R116
RMF 1KΩ 1/16W ±5% SMT 0603	PCS	2	R108 R117
RMF 1K2Ω 1/16W ±5% SMT 0603	PCS	2	R109 R118
RMF 2K2Ω 1/16W ±5% SMT 0603	PCS	1	R110
RMF 3K3Ω 1/16W ±5% SMT 0603	PCS	1	R111
RMF 10KΩ 1/16W ±5% SMT 0603	PCS	1	R119
RMF 47KΩ 1/16W ±5% SMT 0603	PCS	4	R150~R152 R133
RMF 680Ω 1/10W ±5% SMT 0805	PCS	1	R137
RMF 470Ω 1/10W ±5% SMT 0805	PCS	8	R125~R132
RMF 750Ω 1/10W ±5% SMT 0805	PCS	4	R138~141
CC1000PF/50V ±10% 0603(X7R)	PCS	1	C101
CC 1μF/25V -80% +20% SMT 0805	PCS	3	C102 C103 C104
LED 2.2V 10MA RED SMT 0603	PCS	17	D101~117
IC PT6523 LCD DRIVE	PCS	1	IC101
KEY SWITCH 4.3MM	PCS	16	SW101~SW111,SW113~SW117
RMF 100Ω 1/16W ±5% SMT 0603	PCS	1	R153
KB 166.5X40.0X1.2mm DVD715RS D/S FR4	PCS	1	
DOUBLE SIDE TAPE FOR LENS 206	PCS	1	
PANEL BACK FOR CM715	PCS	1	
PANEL FRONT FOR DVD715 TITAN	PCS	1	
KNOB-VOLUME FOR CM702	PCS	1	
KNOB-POWER FOR CM715 TITAN	PCS	1	
KNOB-NUMBER FOR CM715 W/O RDS TITAN	PCS	1	
KNOB-SKIP/LOUD/MONO FOR CM715 W/O RDS Platini	PCS	1	
KNOB-EJECT FOR CM715 TITAN	PCS	1	
LENS OF DVD715 HYUNDAI	PCS	1	
CMV100,SPRING RELEASE NEW	PCS	1	
M2X8 FTP BLACK SCREW	PCS	4	FOR PANEL
LEFT-SLIDE FOR CM700	PCS	1	
LEFT SLIDE BLOCK SHAFT CM700	PCS	1	
RIGHT-SLIDE FOR CM700	PCS	1	
RIGHT SLIDE BLOCK SHAFT CM700	PCS	1	
L/&R ROTATING SPRING FOR CM700	PCS	2	
ADAPTOR-KNOB-SKIP FOR CM715	PCS	1	
LIGHT GUIDE LEFT FOR CM715	PCS	1	
LIGHT GUIDE RIGHT FOR CM715	PCS	1	
M2X5 SELF TAPPING SCREW	PCS	1	
LCD BEZEL FOR CA-D415	PCS	1	
ZEBRA STRIP OF CAD415	PCS	1	
FILTER SHEET FOR CM700	PCS	1	
LIGHT SHIELDING SHEET FOR CAD415	PCS	1	
BACK LIGHT GUIDE FOR CA-C310	PCS	1	
BACK LIGHTING SHEET FOR CM700	PCS	1	
E-WASHER FOR CM700	PCS	2	
SHADE SPONGE FOR 226	PCS	1	
ECB12(7X5)(PV)S17	PCS	1	EN101
LED 3.5V 25MA WHITEΦ3MM (FCWHWAO-AO)	PCS	2	D126,D127
LCD DVD703RS TN NEGATIVE BLUE-MASK	PCS	1	LCD101
14PIN SOCKET MALE ESTF2-14-01	PCS	1	CON101
REMOTE-CRM HEADER	PCS	1	IC102(KB)
REMOTE CONTROL SPONGE FOR 206	PCS	1	
4X2V ESP OIRT DSP AUXIN MB MI ASS'Y	PCS	1	
4X2V ESP OIRT DSP AUXIN MB SMT ASS'Y	PCS	1	
4X2V ESP OIRT DSP AUXIN MB AI ASS'Y	□	1	
RCF 10Ω 1/8W ±5% RTS	PCS	1	R432
RCF 100Ω 1/8W ±5% RTS	PCS	2	R637 R403
RCF 1KΩ 1/8W ±5% RTS	PCS	5	R526 R541 R447 R510 R524

RCF 10K $\Omega$ 1/8W $\pm$ 5% RTS	PCS 11	R108 R408 R470 R527 R529 R532 R547 R550 R802 R811 R473
RCF 100K $\Omega$ 1/8W $\pm$ 5% RTS	PCS 2	R448-449
RCF 220K $\Omega$ 1/8W $\pm$ 5% RTS	PCS 8	R517-518 R534 R536 R538-539 R515-516
RCF 2K7 $\Omega$ 1/8W $\pm$ 5% RTS	PCS 1	R503
RCF 4K7 $\Omega$ 1/8W $\pm$ 5% RTS	PCS 4	R410 R424-425 R807
RCF 47K $\Omega$ 1/8W $\pm$ 5% RTS	PCS 2	R519 R423
RCF 22 $\Omega$ 1/8W $\pm$ 5% RTS	PCS 1	R506
RCF 680 $\Omega$ 1/8W $\pm$ 5% RTS	PCS 1	R804
RCF 7.5K $\Omega$ 1/8W $\pm$ 5% RTS	PCS 1	R812
RCF 2 $\Omega$ 2W $\pm$ 5% RTS	PCS 1	R803
RCF 56 $\Omega$ 1W $\pm$ 5% RTS	PCS 1	R805
DIODE IN4148 1/2W	PCS 10	D411,D415,D417,D418,D420, D422~D423,D501,D410,D405
DIODE IN4001	PCS 1	D801
ZENER DIODE 5.1V 1/2W	PCS 1	ZD401
ZENER DIODE 3V3 1/2W	PCS 1	ZD402
ZENER DIODE 10V 1/2W	PCS 2	ZD801-802
PCB DVD703RS MB S/S 193.6X151.7X1.6MM	PCS 1	
JUMP WIRE 6MM $\square$ 0.5MM	PCS 16	J135,J138,J149,J174,J187,J191,J198,J204, J156,J202,J211,J212,J220,J227
JUMP WIRE 7MM $\square$ 0.5MM	PCS 5	J136,J192,J171,J228,J205
JUMP WIRE 8MM $\square$ 0.5MM	PCS 2	J134,J190
JUMP WIRE 9MM $\square$ 0.5MM	PCS 3	J127,J130,J230
JUMP WIRE 10MM $\square$ 0.5MM	PCS 13	J111,J112,J114,J122,J125,J126,J140,J183, J184,J185,J186,J226 J196
JUMP WIRE 11MM $\square$ 0.5MM	PCS 8	J103,J104,J105,J116,J100,J210,J215,J147
JUMP WIRE 12MM $\square$ 0.5MM	PCS 10	J106,J107,J124,J133,J151,J157,J160,J167,J214,J189
JUMP WIRE 13MM $\square$ 0.5MM	PCS 4	J154,J155,J152,J101
JUMP WIRE 14MM $\square$ 0.5MM	PCS 3	J180,J181,J161
JUMP WIRE 15MM $\square$ 0.5MM	PCS 6	J144,J145,J195,J213,J201,J200
JUMP WIRE 16MM $\square$ 0.5MM	PCS 5	J108,J131,J132,J219,J128
JUMP WIRE 17MM $\square$ 0.5MM	PCS 5	J177,J216,J229,J115,J123
JUMP WIRE 18MM $\square$ 0.5MM	PCS 6	J102,J118,J137,J218,J146,J178
JUMP WIRE 20MM $\square$ 0.5MM	PCS 1	J221
JUMP WIRE 21MM $\square$ 0.5MM	PCS 6	J109,J110,J113,J141,J163,J217
JUMP WIRE 23MM $\square$ 0.5MM	PCS 1	J168
RCF 10 $\Omega$ 1/4W $\pm$ 5% RTS	PCS 1	R113
RCF 2K2 $\Omega$ 1/8W $\pm$ 5% RTS	PCS 4	R542,R543,R545,R546
RCF 10 $\Omega$ 1W $\pm$ 5% RTS	PCS 1	R814
CM703RS OTP IC V1.0	$\square$ 1	U401
IC ST72F321AR9TA TQFP64 10X10	PCS 1	U401
IC TDA7460N AUDIOPROCESSOR SO 20	PCS 1	U501
IC TDA7478D RDS DEMODULATOR SO 16	PCS 1	U101
RMF 0 $\Omega$ 1/16W $\pm$ 5% SMT 0603	PCS 3	R407,R651~R652
RMF 100 $\Omega$ 1/16W $\pm$ 5% SMT 0603	PCS 25	R101-105 R401-402 R404 R406 R411 R413-419 R422 R437 R521 R523 R525
RMF 1K $\Omega$ 1/16W $\pm$ 5% SMT 0603	PCS 1	R109
RMF 1K $\Omega$ 1/10W $\pm$ 5% SMT 0805	PCS 2	R801 R815
RMF 10K $\Omega$ 1/16W $\pm$ 5% SMT 0603	PCS 29	R508 R511 R520 R412 R440 R469 R429 R471-472 R614 R617 R445 R112 R636 R477
RMF 100K $\Omega$ 1/16W $\pm$ 5% SMT 0603	PCS 4	R428 R442 R474 R817
RMF 12K $\Omega$ 1/16W $\pm$ 5% SMT 0603	PCS 1	R446
RMF 22K $\Omega$ 1/16W $\pm$ 5% SMT 0603	PCS 3	R436 R450 R551
RMF 220K $\Omega$ 1/16W $\pm$ 5% SMT 0603	PCS 3	R512 R613 R616
RMF 2K7 $\Omega$ 1/16W $\pm$ 5% SMT 0603	PCS 2	R501-502
RMF 1K5 $\Omega$ 1/16W $\pm$ 5% SMT 0603	PCS 2	R601-602
RMF 390K $\Omega$ 1/16W $\pm$ 5% SMT0603	PCS 1	R509
RMF 4K7 $\Omega$ 1/16W $\pm$ 5% SMT 0603	PCS 6	R603-604 R444 R808 R443 R476
RMF 47K $\Omega$ 1/16W $\pm$ 5% SMT 0603	PCS 13	R438-439 R468 R810 R552 R628 R629 R621 R624 R5 R6 R7 R8
RMF 470K $\Omega$ 1/16W $\pm$ 5% SMT 0603	PCS 3	R710,R609,R610
RMF 5K1 $\Omega$ 1/16W $\pm$ 5% SMT 0603	PCS 1	R513
RMF 5K6 $\Omega$ 1/16W $\pm$ 5% SMT 0603	PCS 2	R426-427
RMF 6K8 $\Omega$ 1/16W $\pm$ 5% SMT 0603	PCS 3	R478,R615 R618
RMF 7K5 $\Omega$ 1/16W $\pm$ 5% SMT 0603	PCS 8	R632-634 R631 R620 R625 R627 R630
RMF 82K $\Omega$ 1/16W $\pm$ 5% SMT 0603	PCS 1	R514
RMF 0 $\Omega$ 1/10W $\pm$ 5% SMT 0805	PCS 3	R420 R434 R114

RMF 47Ω 1/10W ±5% SMT 0805	PCS	1	R700
CC100PF/50V ±5% 0603(NPO)	PCS	6	C603-604 C614-616 C620
CC1000PF/50V ±10% 0603(X7R)	PCS	3	C415 C605-606
CC0.1μF/16V +80% -20% 0603	PCS	24	C103 C403 C405 C408 C410 C412 C414 C416 C418 C420 C508 C515
CC33PF/50V ±5% SMT 0603	PCS	2	C401-402
CC 1μF/25V -80% +20% SMT 0805	PCS	1	C512
CC0.22μF/16v +80% -20% 0805	PCS	2	C501-502
CC2.2μF/16V +80% -20% 0805	PCS	8	C413 C513 C607-612
TR DTC343TK(SMT SOT-23)	PCS	4	Q502-505
TR 3904(SMT SOT-23)NPN	PCS	10	Q102 Q403 Q405 Q407 Q411 Q501 Q802 Q804-805 Q507
TR 3906(SMT SOT-23)PNP	PCS	7	Q401-402 Q404 Q406 Q408 Q410 Q808
TR S8550 SMT SOT-23	PCS	1	Q101
IC MC 4558 SOP-8	PCS	2	U602-603
CC 220PF/25V ±5.0% NPO 0603	PCS	4	C817~820
CC0.47μF/25V -80% +20% 0603	PCS	1	C825
TR KRC102 KEC(SMT SOT-23)	PCS	1	Q409
RMF 1KΩ 1/4W ±5% SMT 1206	PCS	1	R479
IC AP1507-50 DC/DC CONVERTER 3A	PCS	1	IC502
IC MM74HC4066M SOP-14 PHILIPS	PCS	1	U601
20PIN FFC 120MM PITCH=1.0MM T=0.4MM	PCS	1	
CE 1μF/50V ±20% 4X5 105°C	PCS	1	C823
CE 10μF/16V ±20% 4X5 105°C	PCS	3	C407 C806 C812
CE 100μF/16V±20%6.3X5 105°C	PCS	9	C101 C406 C509 C618-619 C801 C804 C807 C500
CE 2.2μF/50V±20% 4X5 105°C	PCS	13	C504-507 C514 C519-521 C813-816 C821
CE 22μF/16V±20% 4X5 105°C	PCS	1	C630
CE 4.7μF/16V ±20% 4X5 105°C	PCS	2	C503,C510
CE 47μF/16V ±20% 5X5 105°C	PCS	4	C417 C419 C511 C824
CE 220μF/16V ±20% 8X7 105°C	PCS	1	C700
CE 1000μF/10V±20%8X16 105°C	PCS	1	C541
CE3300μF/16V±20%12.5X25 105	PCS	1	C827
STAND INDUCTOR 150μH	PCS	1	R500
TR B1243 POWER SWITCH	PCS	2	Q412 Q801
IC HTC LM2950 5.0V 100MA LDO REG	PCS	1	U801
IC.78R12 TO-220	PCS	1	U802
I.C.TDA7386	PCS	1	U804
CRYSTAL 8.664M DIP W/30P (-20□ +70□)	PCS	1	XT401
FM/OIRT/AM KST-C6102LVD-100	PCS	1	TUN101
20PIN PWR/SPK EST-KNT-20-04	PCS	1	CON801
2PIN SOCKET PITCH=2.0MM(180°)	PCS	1	CON700
6PIN WAFER PH P=2.0MM	PCS	1	CON404
14PIN WAFER 90° P=2.0MM	PCS	1	CON403
DIODE IN5401	PCS	1	D802
BRACKET IC 7386 FOR CM226	PCS	1	
15A DIN FUSE	PCS	1	
CE 470μF/16V±20% 8X11 105°C	PCS	1	C803
RMF 2.2Ω 2W ±5% RTS	PCS	1	R409
7PIN CONNECT 90 P=2.0MM	PCS	1	CON401
STAND INDUCTOR 220μH 2A	PCS	1	L503
DIODE IN5822	PCS	1	D504
20PIN S TYPE PITCH=1.0	PCS	1	CON402
CHOKE INDUCTOR 470μH(CM206)	PCS	1	
PCB CM206 CB S/S 36*30*1.6MM	PCS	1	
DVD705 ESP SB ASS'Y	PCS	1	
DVD705 ESP SB SMT ASS'Y	PCS	1	
CC10PF/50V ±5% 0603(NPO)	PCS	2	C33 C34
CC33PF/50V ±5% SMT 0603	PCS	2	C1 C2
CC 47PF/50V ±5% SMT 0603(NPO)	PCS	3	C49 C105 BC3
CC100PF/50V ±10% 0603(X7R)	PCS	2	C27 C28
CC120PF/50V ±5% 0603(NPO)	PCS	2	C120 C138
CC330PF/50V ±5% SMT 0603	PCS	1	C4
CC 390PF/50V ±10% SMT 0603	PCS	1	C7
CC470PF/50V ±10% 0603(X7R)	PCS	9	C5 C6 C17-C23
CC 510PF/50V ±10% SMT 0603	PCS	2	C13 C14
CC 560PF/50V 0603(COG)	PCS	3	C12 C50 C51
CC1000PF/50V ±10% 0603(X7R)	PCS	10	C8 C9 C10 C11 C15 C16 C25 C26 C104 C129
CC 4700PF/50V ±10% SMT 0603	PCS	1	C71
CC 0.22μF/16V +80% -20% 0603	PCS	1	C94

CC0.1μF/25V±10% X7R 0603	PCS	35	BC1,BC4,BC7,BC8,BC17,BC19,BC21,BC28,BC30,BC31,BC32,BC42,BC48,BC11,BC52
CC0.01μF/50V±20% 0603	PCS	1	BC18
CC 1μF/25V ±10% X5R 0603	PCS	5	BC5,BC6,BC9,BC55,C37
RMF 0Ω 1/16W ±5% SMT 0603	PCS	6	R29,R48,R55,R58,R64,R97
RMF 1Ω 1/10W ±5% SMT 0805	PCS	5	R22,R49,R50,R51,R52
RMF 3R3Ω 1/10W ±5% 0805	PCS	1	R89
RMF 9.1Ω 1/10W ±5% SMT 0805	PCS	1	R5
RMF 10Ω 1/16W ±5% SMT 0603	PCS	2	R23 R30
RMF 22Ω 1/16W ±5% SMT 0603	PCS	2	R121,R74
RMF 33Ω 1/16W ±5% SMT 0603	PCS	7	R3,R4,R43,R54,R65,R100,R127
RMF 75Ω 1/16W ±5% SMT 0603	PCS	1	R63
RMF 100Ω 1/16W ±5% SMT 0603	PCS	3	R24 R26 R98
RMF 510Ω 1/16W ±5% SMT 0603	PCS	1	R6
RMF 1KΩ 1/16W ±5% SMT 0603	PCS	9	R47 R132 R151 R153 R173 R12 R33 R177 R178
RMF 1K5Ω 1/16W ±5% SMT 0603	PCS	2	R34 R35
RMF 2K2Ω 1/16W ±5% SMT 0603	PCS	11	R14 R17 R18 R19 R20 R128 R133 R131 R134 R172 R129
RMF 6K8Ω 1/16W ±5% SMT 0603	PCS	2	R25 R80
RMF 3K3Ω 1/16W ±5% SMT 0603	PCS	2	R27 R28
RMF 4K7Ω 1/16W ±5% SMT 0603	PCS	6	R2 R9 R46 R57 R95 R96
RMF 8K2Ω 1/16W ±5% SMT 0603	PCS	1	R16
RMF 10KΩ 1/16W ±5% SMT 0603	PCS	12	R31,R32,R38,R11,R67,R99,R136,R145,R150,R152,R162,R72
RMF 12KΩ 1/16W ±5% SMT 0603	PCS	2	R44 R8
RMF 18KΩ 1/16W ±5% SMT 0603	PCS	1	R143
RMF 22KΩ 1/16W ±5% SMT 0603	PCS	4	R37 R40 R165 R13
RMF 27KΩ 1/16W ±5% SMT 0603	PCS	1	R36
RMF 33KΩ 1/16W ±5% SMT 0603	PCS	4	R39 R42 R66 R149
RMF 43KΩ 1/16W ±5% SMT 0603	PCS	1	R21
RMF 47KΩ 1/16W ±5% SMT 0603	PCS	2	R45 R41
RMF 100KΩ 1/16W ±5% SMT 0603	PCS	11	R130 R135 R181 R182 R101 R69 R73 R59 R61 R62 R68
RMF 1MΩ 1/16W ±5% SMT 0603	PCS	1	R7
RMF 4X33Ω 1/16W ±5% SMT 0603	PCS	2	RN3,RN4
RMF 4X10Ω 1/10W ±5% SMT 0603	PCS	2	RN1,RN2
F MLCI 1.8μH /50MA ±10% 0805	PCS	1	L23
F COIL 10μH ±10% SMT 1206	PCS	1	L3
F COIL 10μH ±10% SMT 0805	PCS	4	L4 L5 L9 L11
FB 120Ω 3000MA SMT 0805	PCS	12	L1,L2,L7,L8,L10,L13,L14,L15,L19,L20,L41,L44,
TR 3904(SMT SOT-23)NPN	PCS	6	Q3 Q19 Q20 Q21 Q27 Q28
TR 3906(SMT SOT-23)PNP	PCS	3	Q22 Q18 Q7
TR-PNP 2SB1132 MPT3	PCS	2	Q1 Q2
IC UTC1117 1.8V SOT-223	PCS	1	Q10
IC UTC1117 3.3V SOT-223	PCS	1	Q9
IC BA5954FP HSOP-28 ROMH	PCS	1	U9
IC BA6287F SOP-8 ROMH	PCS	1	U3
IC M3355 LQFP-216/EPD	PCS	1	U1
IC IS42S16400A TSOPII-54	PCS	1	U13
CD DETECTOR CDX100	PCS	1	SW3
IC.24C02. EEPROM	PCS	1	U14
IC XWM8728EDS SSOP-20	PCS	1	U4
IC 78M06 REGULATOR ST	PCS	1	Q6
IC MC 4558 SOP-8	PCS	1	U5
PCB DVD703B SB D/S 107X109X1.2MM	PCS	1	
FPC CONNETOR 20PIN S PITCH=1.0	PCS	1	CN3
DIODE IN4001 SMT 1210	PCS	2	D14 D15
DVD705 FLASH IC	PCS	1	U8
IC MX29LV800BBTC-70□TSOP-48	PCS	1	U8
CT 47μF/10V ±20% SMT 3216	PCS	1	TC37
CT 100μF/6.3V ±20% SMT (C Package)	PCS	3	TC15 TC16 TC20
DIODE IN4148 SMT 1/2W	PCS	10	D2,D7,D10,D12,D4,D5,D8,D9,D11,D13
24PIN FPC SOCKET PITCH=0.5MM	PCS	1	CN2
CE 10μF/16V ±20% 4X5 105°C	PCS	8	TC13 TC26 TC69-72 TC11 TC12
CE 47μF/16V ±20% 5X5 105°C	PCS	1	TC65
CE 100μF/16V±20%6.3X5 105°C	PCS	1	TC52
CE 220μF/10V±20% 6.3X7 105	PCS	12	TC2 TC10 TC41 TC42 TC17 TC4 TC3 TC1 TC6 TC62 TC60 TC68
XT 27.000MHZ(-30°C~+80°C)	PCS	1	Y1
DIODE IN4148 1/2W	PCS	3	D1 D3 D6

PHOTOTRANSISTOR IR928-6C	PCS	2	Q4 Q5
SHINWA DVD DECK DL-C28D1	PCS	1	
LASER WARNING LABEL FOR CMV100	PCS	1	
SPONGE FOR FPC FOR 206	PCS	1	
PW,COLOR ZINC□PTS□ SCREW	PCS	2	
2PIN WIRE PI=2.0MM L=200MM(SOCKET WITH PIN)	PCS	1	CN10
DVD715 SA ASS'Y	PCS	1	
RCF 470Ω 1/8W ±5% RTS	PCS	1	R101
RED LED 204SRD Φ3mm L=30MM	PCS	2	D101,D102
CM703RS FB 110X24X1.2MM VER1.0	PCS	1	
CM700 SK D/S 103.3X67.8X1.2MM VER.3	PCS	1	
TACT SWITCH DP1130X	PCS	1	SW103
TACT SW 250GF 4.3MM(MI)CHIFENG	PCS	1	SW101
TACT SWITCH TS-06V-ASM	PCS	1	SW102
14PIN SOCKET FEMALE ESTF2-14-0	PCS	1	CON501
6PIN AWG28 FLAT CABLE=90MM GRA	PCS	1	CON101
14PIN AWG28-FLAT CABLEL=50MM G	PCS	1	CON502
JUMP WIRE 6MM □0.5MM	PCS	1	J102
KNOB-EJECT FOR CM700	PCS	1	
LOCKER FOR CM700	PCS	1	
LENS GATE FOR CM700	PCS	1	
GEAR FOR CM226N □65g□	PCS	1	
GEAR FOR CM700	PCS	1	
PUSH FOR CM700	PCS	1	
LCD STOPPER FOR CM700□EVA□	PCS	1	
DUST PROOF FOR DVD703	PCS	1	
FELT-16-025MM FOR 206	PCS	2	
EJECT-SPRING FOR CM700	PCS	1	
LOCK SPRING FOR CM700	PCS	1	
BRACKET-PANEL-RIGHT FOR CAD310	PCS	1	
BRACKET-DAMPER FOR CAD310	PCS	1	
SHAFT LOCK FOR CM700	PCS	1	
RIVET CEAR FOR CM700	PCS	1	
RIVET PANEL FOR CM700	PCS	2	
M2X5 SELF TAPPING SCREW	PCS	9	
PW,COLOR ZINC□PTS□ SCREW	PCS	1	
SIDE STOPPER FOR CAD310	PCS	2	
M2.6X10.0 BLACK □BTS SCREW	PCS	2	CABINET TO F U BKT X2
PM MACHINE BLACK ZINC SCREW	PCS	2	SIDE STOPPER X2
BRACKET-FRONT-U-CD FOR CAD310	PCS	1	
CABINET FOR DVD703	PCS	1	
SA Label T=0.07 FOR CD700/CM700/CMV700	PCS	1	
REM-PET PANEL DVD715 68A HYUNDAI	PCS	1	
DVD123 REMOTE	PCS	1	
CE 47u F/10V ±20% 4X5 85□	PCS	1	E1
INFRARED LED 3MM	PCS	1	IR1
SCREW M1.7X4 FA	PCS	5	
METAL BATTERY FLAKE+ CR2025	PCS	1	
RC400 DVD123 Remote Control, SMT	PCS	1	
RMF 2R2Ω 1/10W ±5% SMT 0805	PCS	1	R1
CC 100PF/50V±5% SMT 0805(NPO)	PCS	2	C1,C2
TR S8050 SMT SOT-23	PCS	1	Q1
RC400 REM PCB ASS'Y	PCS	1	
IC SC6122 PAD	PCS	1	IC1
PCB PD710B REM S/S 94V0 104X42X1.0MM	PCS	1	
DIODE IN4148 SMT 1/2W	PCS	1	D1
RMF 100KΩ 1/10W ±5% SMT 0805	PCS	1	R2
METAL BATTERY FLAKE-CR2025	PCS	1	
CER RESONATOR 455KHZ	PCS	1	CT1
REM BOTTOM COVER FOR RMT400	PCS	1	
BATTERY COVER FOR RMT400	PCS	1	
REM-PET PANEL DVD715 68A HYUNDAI	PCS	1	
PASS LABEL FOR REM	PCS	1	
VIDEO OUT WIRE RCA L=235MM 1PIN AWG#26 YELL	PCS	1	CON710
CR2025 3V BATTERY	PCS	1	
REMOTE CELL POLYBAG CMV100	PCS	1	
RIM FOR CM702 8503C	PCS	1	
SPONGE FOR PANEL BOX	PCS	2	

BROWN BOX FOR CD101	PCS	1	
PULP FOAM FOR PHILIPS	PCS	2	
PULP FOAM FOR PANEL BOX	PCS	1	
PANEL BOX FOR HYUNDAI	PCS	1	
LCD STOPPER FOR CM700 EVA	PCS	1	
SERIAL NO.LABEL OF HYUNDAI	PCS	2	
WARRANTY LABEL ENGLISH CMV100	PCS	1	
SCREW LABEL OF HYUNDAI	PCS	1	
QC PASS LABEL	PCS	2	
POLY BAG SIDE LOCK FOR CMV100	PCS	1	
POLY BAG RIM FOR CMV100	PCS	3	
POLY BAG MANUAL FOR CMV100	PCS	1	
POLY BAG UNIT FOR CMV100	PCS	1	
SIDE-LOCK FOR CAD310	PCS	2	
PLATING NICKEL BM SCREW	PCS	4	
PLATING NICKEL BM SCREW	PCS	4	
SHORT SHEET FOR CAD310	PCS	1	
RUBBER FOR CMV100	PCS	1	
POLE FOR CMV100	PCS	1	
TOP COVER FOR CM701	PCS	2	
BRACKET-BACK FOR CAD510	PCS	1	
FILTER BOX FOR 206	PCS	1	
HEAT SINK FOR CM700	PCS	1	
PLATING NICKEL BTS M2.6X5	PCS	17	FTORU BKTX4,CABINET TO FU BKTX2, F&R U BKT TO PCBX3,F&R DECK BKTX4, TOP COVERX1
PLATING NICKEL BTS SCREW	PCS	10	
PLATING NICKEL BTS SCREW	PCS	1	
PLATING NICKEL BTS SCREW	PCS	1	HEATSINK TO R U BKT
PLATING NICKEL BTS M2.6X7	PCS	1	HEATSINK TO R U BKT
PLATING NICKEL PA SCREW	PCS	2	FOR SOCKET
M2.6X21 BTB Plating	PCS	2	FOR AMP IC
MUT M3	PCS	2	
BRACKET-DECK-FRONT FOR DVD703RS	PCS	1	
BRACKET REAR DECK FOR DVD703S	PCS	1	BACK OF DECK
BTS WHITE ZINC BTS SCREW	PCS	2	
PLATING NICKEL BTS SCREW 2614	PCS	2	HEATSINK TO R U BKT
20P PWR/SPK 2RCA A4/7CHANGE CM206	PCS	1	
PLATING NICKEL BM SCREW M3*8	PCS	2	
WASHER 3.0*0.6MM FOR 206	PCS	2	
SPONGE FOR FPC FOR 206	PCS	1	
WASHER FOR CM206	PCS	1	
2PIN AUX-IN RCA WIRE 400MM	PCS	1	CON501
PLATING NI,PTS,SCREW PTS2605	PCS	2	DECK BRACKET REAR
E-MARK LABEL CM110/226/700	PCS	2	
WARRANTY CARD HYUNDAI	PCS	1	
CUSTOMER INSTRUCTION MANUAL HYUNDAI	PCS	1	
BARCODE LABEL OF GIFT BOX DVD715 68A HYUNDAI	PCS	1	
BARCODE LABEL OF CARTON DVD715 68A HYUNDAI	PCS	1	
MODEL LABEL OF DVD715 68A HYUNDAI	PCS	1	
MANUAL OF DVD715 68A HYUNDAI	PCS	1	
GIFT BOX OF DVD715 68A HYUNDAI 292X222X95	PCS	1	
CARTON OF DVD715 68A HYUNDAI 595X310X240	PCS	1	
T.R.BD435S SAMSUNG	PCS	1	Q803
ANTENNA WIRE WITH NYLON CONNECT EST-TNZ-0	PCS	1	ANT101
IC L7809 REGULATOR ST	PCS	1	U402