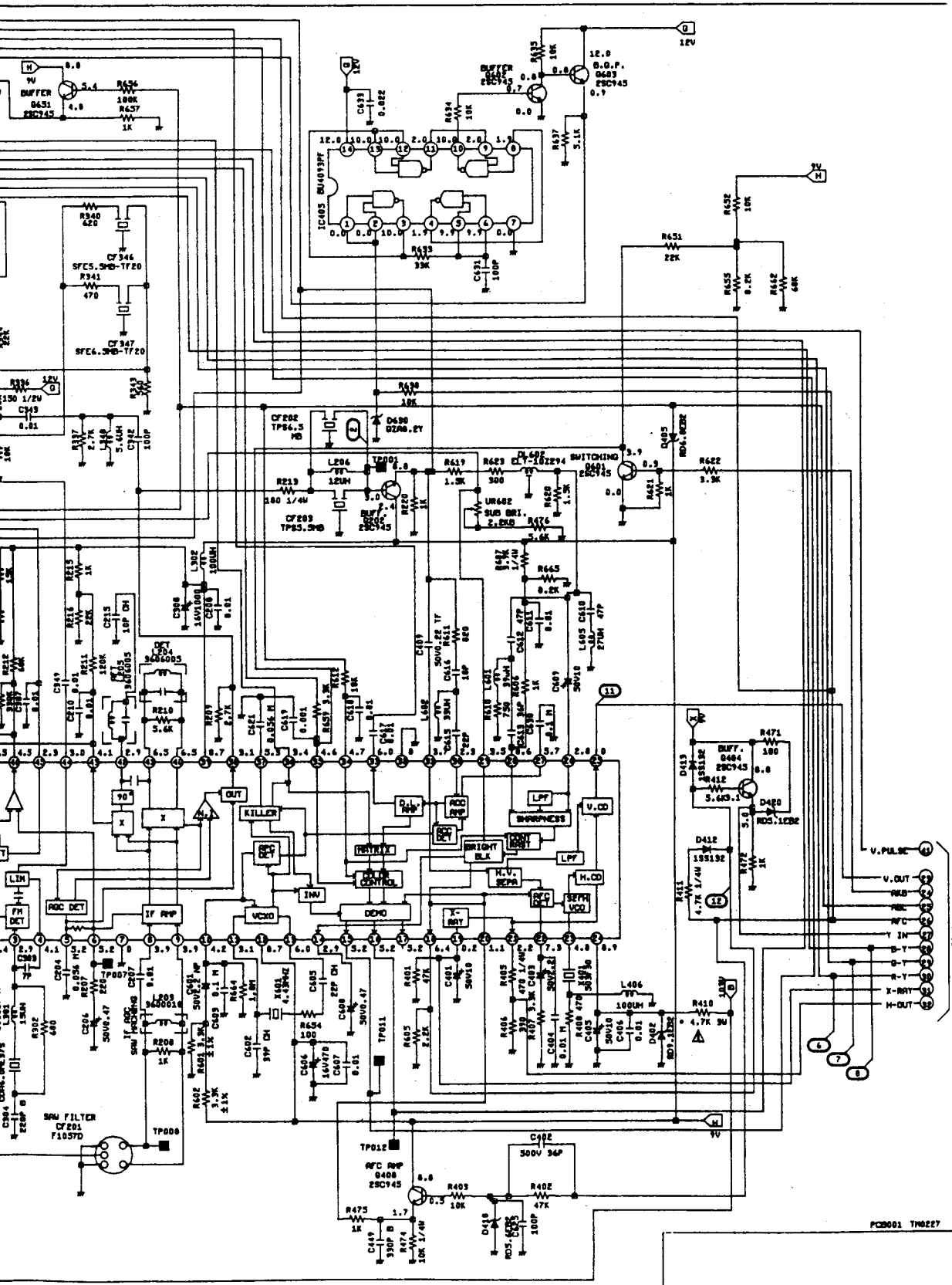
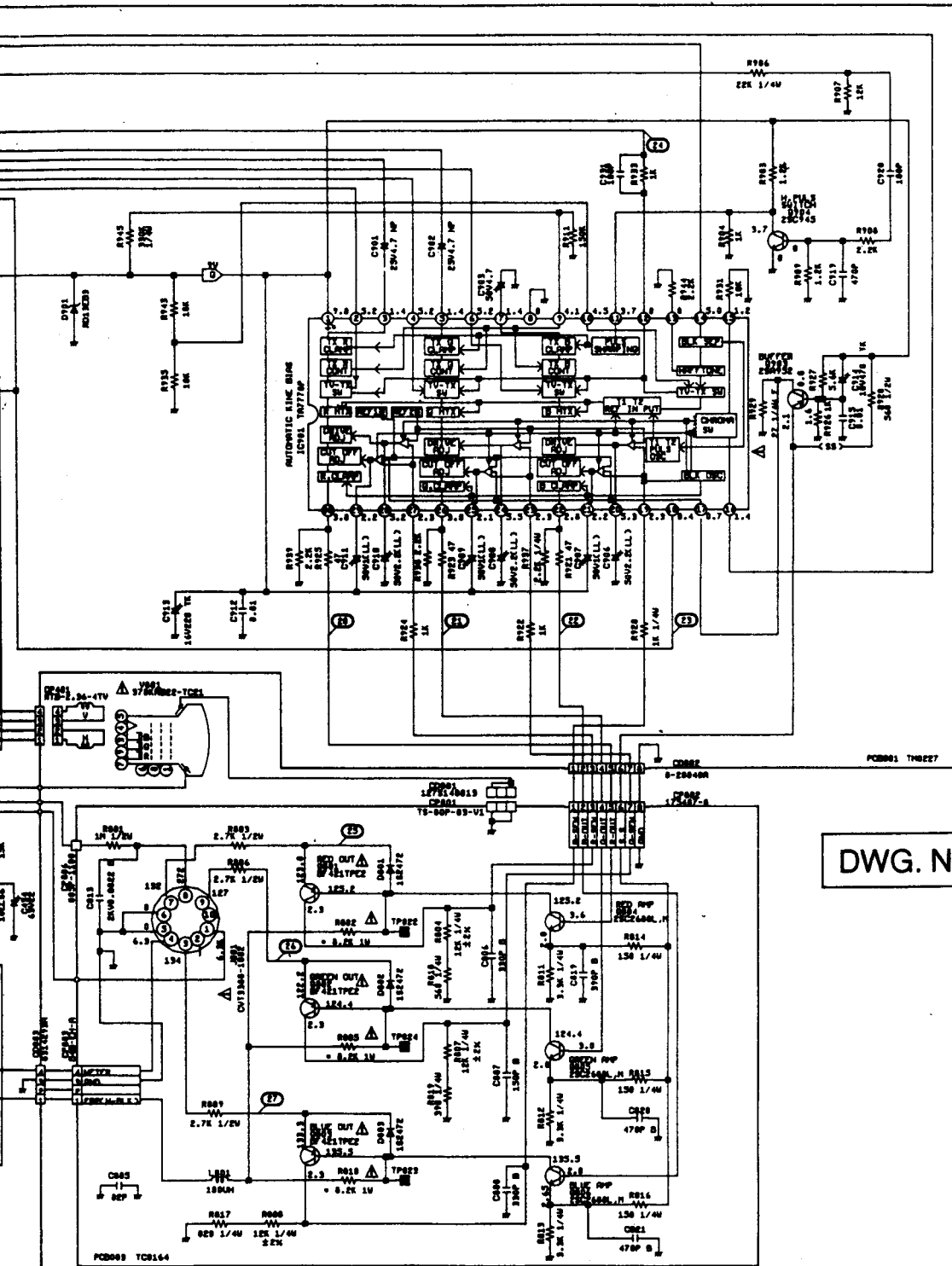


MODEL: 14J

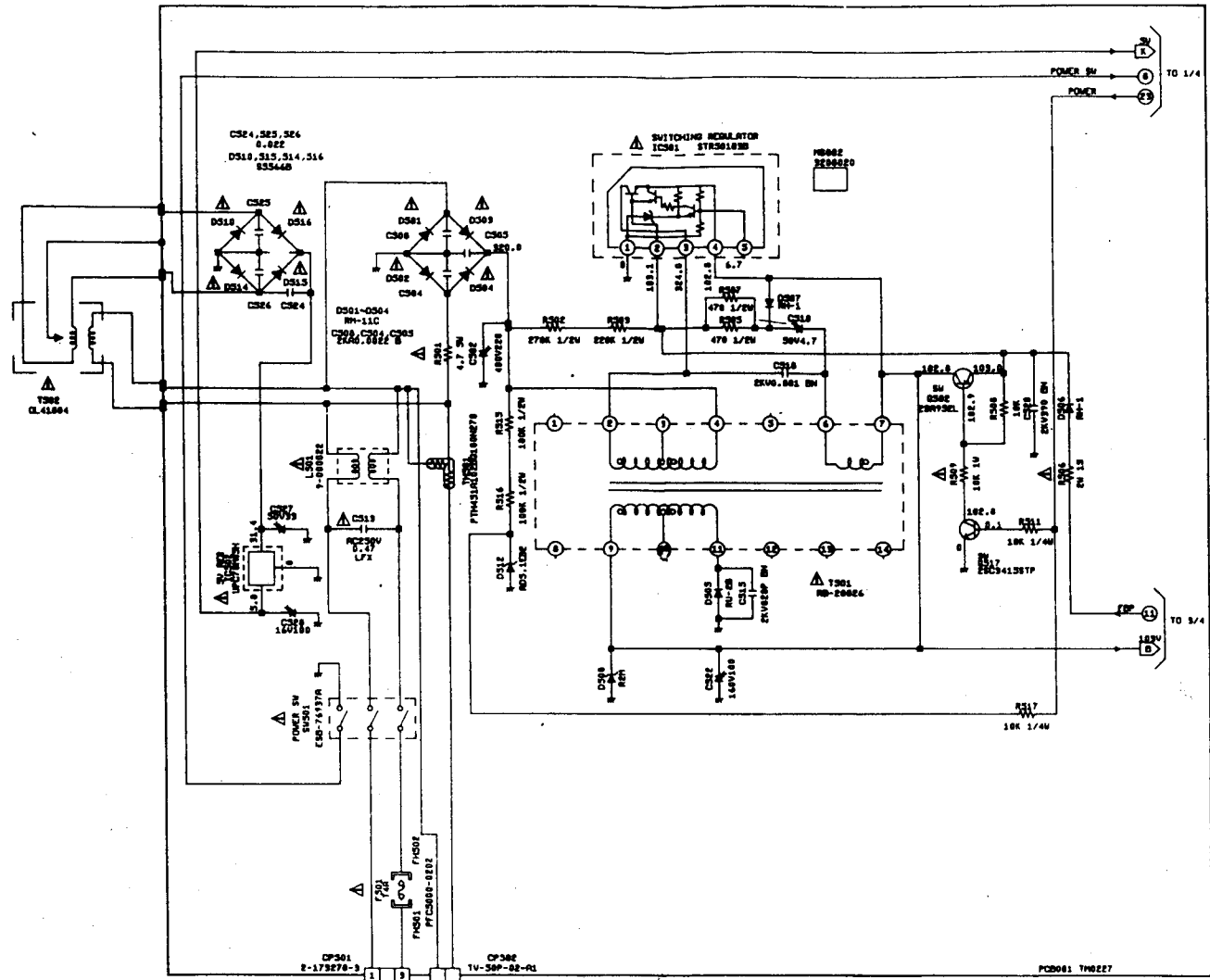
DWG. NO. F-7143H



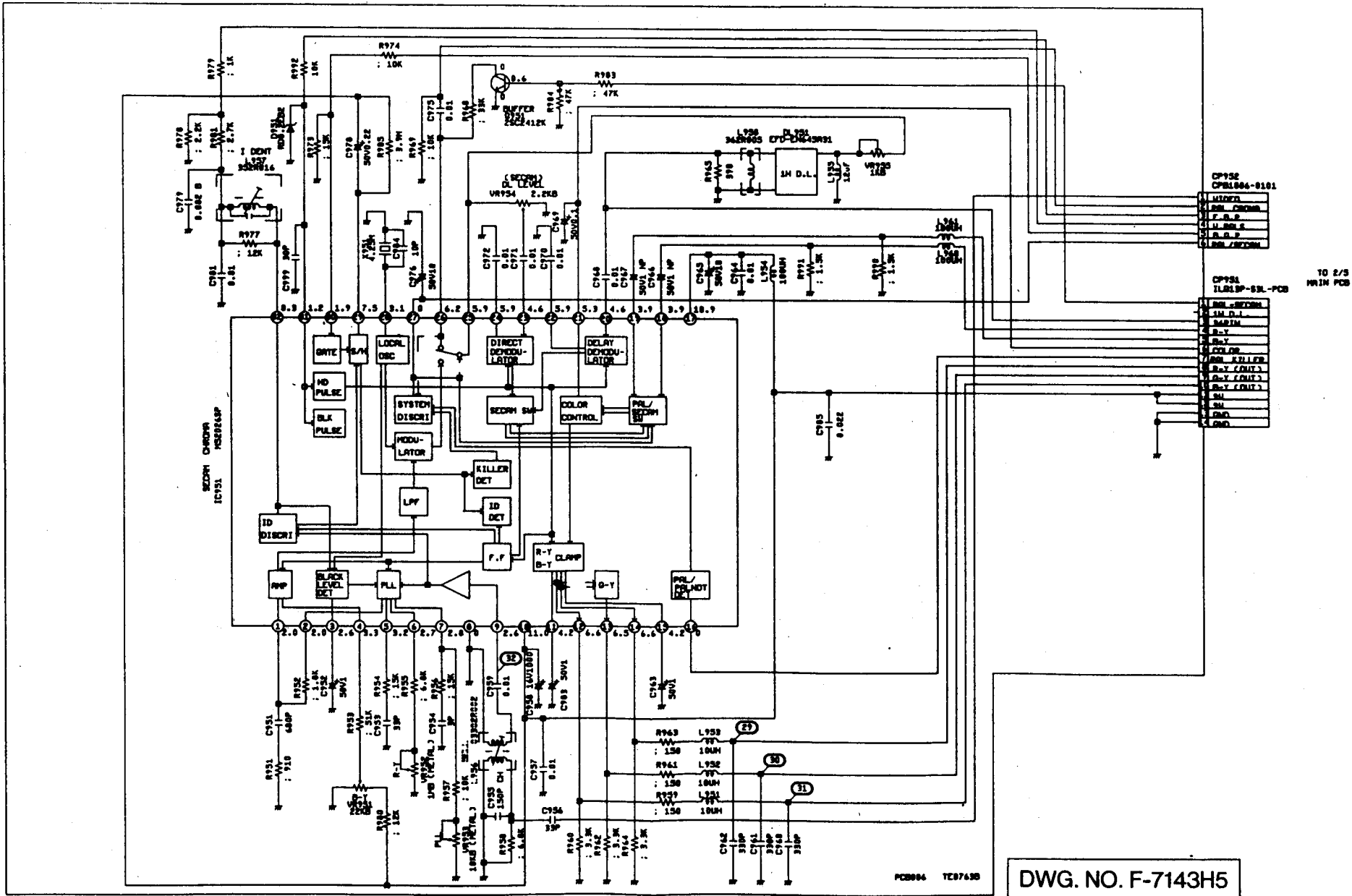
DWG. NO. F-7143H2



DWG. NO. F-7143H3



DWG. NO. F-7143H4



- CP752
 CH2586-0101
- 1. VIDEO
 - 2. SEC. CHROMA
 - 3. F.S.P.
 - 4. U.S.S.P.
 - 5. S.S.P.
 - 6. SEC. CHROMA

- CP751
 IL615P-SL-PCB
- 1. SEC. CHROMA
 - 2. IN D.L.
 - 3. L938
 - 4. R-Y
 - 5. B-Y
 - 6. G-Y
 - 7. SEC. CHROMA
 - 8. R-Y (OUT)
 - 9. B-Y (OUT)
 - 10. G-Y (OUT)
 - 11. SEC. CHROMA
 - 12. IN D.L.

TO 2/3
 MAIN PCB

PCB084 YC97430

DWG. NO. F-7143H5