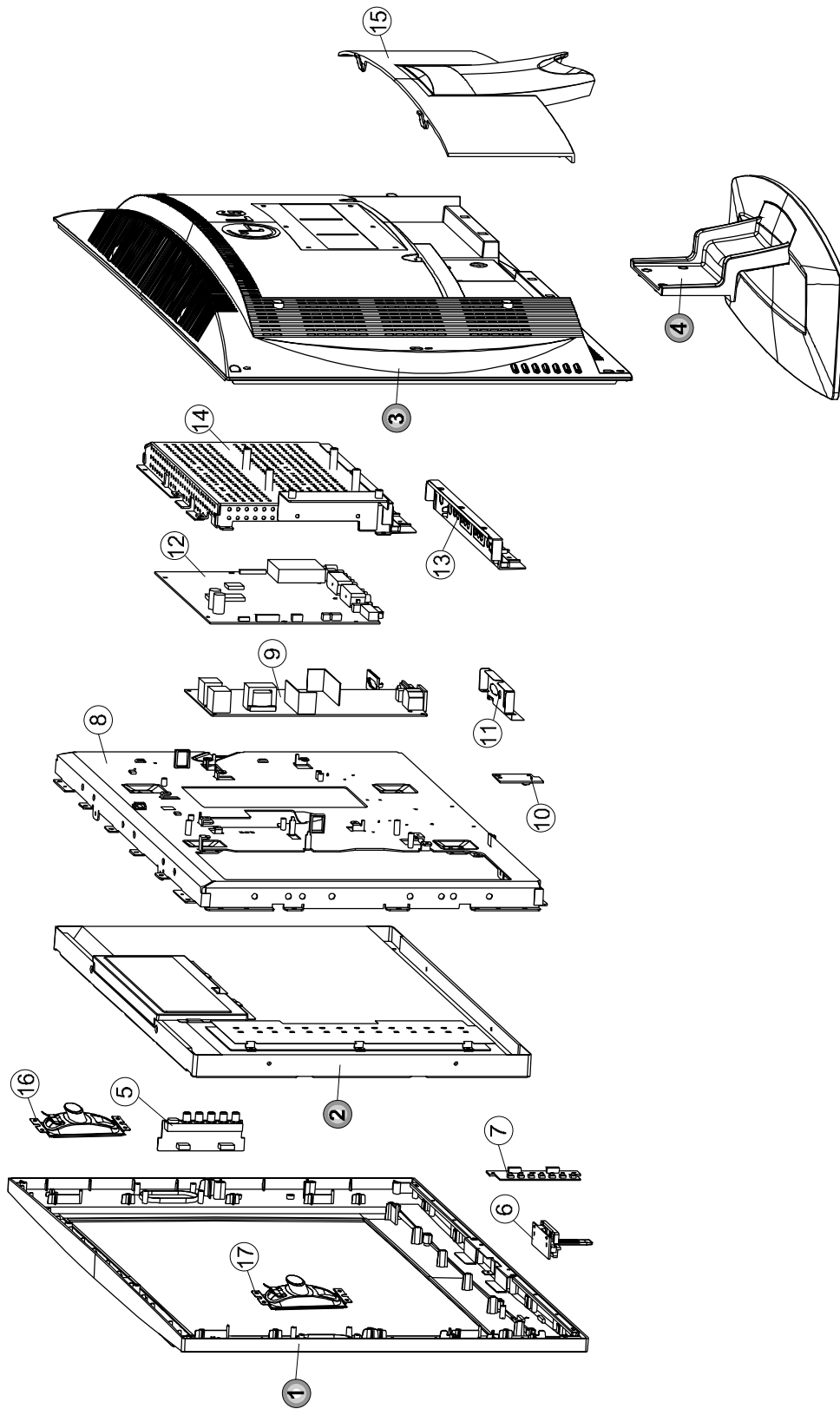


**EXPLODED VIEW**



## EXPLODED VIEW PARTS LIST

No.	PART NO.	DESCRIPTION
1	3091TKE013A	CABINET ASSEMBLY, RZ-26LZ50 BRAND 3090TKE006A 407AF
	3091TKE013B	CABINET ASSEMBLY, RZ-26LZ50 BRAND 3090TKE006A 407AF LGEWA C/SKD
2	6304FLP118B	LCD(LIQUID CRYSTAL DISPLAY), LC260W01-A5K5 LG PHILPS TFT COLOR WXGA,450NIT,LVDS,LG INNOTECK INVERTER
	6304FAU020A	LCD(LIQUID CRYSTAL DISPLAY), T260XW01 AU TFT COLOR WXGA,MVA 600NITS 25MSS 16 CCFL LVDS
3	3809TKE013A	BACK COVER ASSEMBLY, RZ-26LZ50 3808TKE005A 407AF
	3809TKE013H	BACK COVER ASSEMBLY, RZ-26LZ50 3808TKE005A 407AF CIS
	3809TKE013B	BACK COVER ASSEMBLY, RZ-26LZ50 3808TKE005A 407AF LGEWA C/SKD
4	3043TKK171A	TILT SWIVEL ASSEMBLY, RZ-26LZ50 NONE NONE
	3043TKK171B	TILT SWIVEL ASSEMBLY, RZ-26LZ50 LGEWA C/SKD
5	6871TVT370A	PWB(PCB) ASSEMBLY,VIDEO, RZ-30LZ50 SIDE A/V SUB TOTAL BRAND .
6	6871TST590A	PWB(PCB) ASSEMBLY,SUB, 26&27LZ50 PWR&LED LED & P/SW TOTAL BRAND PWR&LED BOARD
7	6871TST589A	PWB(PCB) ASSEMBLY,SUB, 26LZ50 KEY SUB TOTAL BRAND KEY BOARD
8	4951TKS156A	METAL ASSEMBLY, FRAME LPL RZ-26LZ50
	4951TKS156C	METAL ASSEMBLY, FRAME AUO RZ-26LZ50
	4951TKS156B	METAL ASSEMBLY, FRAME LPL RZ-26LZ50 C/SKD
9	6871TPT275A	PWB(PCB) ASSEMBLY,POWER, RZ-30LZ50 POWER TOTAL BRAND ML-041A, 23",26",27",30",32" AUTOBAN
10	6871TST588B	PWB(PCB) ASSEMBLY,SUB, 26/27LZ50 IR SUB TOTAL BRAND .
11	4814TKK280A	SHIELD, REAR POWER
	4814TKK280B	SHIELD, REAR POWER C/SKD
12	3313TP2016A	MAIN TOTAL ASSEMBLY, RZ-26LZ50 LPL BRAND ML-041A
	3313TP2017A	MAIN TOTAL ASSEMBLY, RZ-26LZ50 AUO BRAND ML-041A
13	3551TKK516A	COVER ASSEMBLY, RZ-30LZ50 REAR NON AV
	3551TKK516B	COVER ASSEMBLY, RZ-30LZ50 REAR NON AV C/SK
14	4951TKK169A	METAL ASSEMBLY, REAR RZ-26LZ50
	4951TKK169D	METAL ASSEMBLY, REAR RZ-26LZ50 LGEWA
15	3550TKK516A	COVER, RZ-26LZ50 REAR
	3550TKK516B	COVER, RZ-26LZ50 REAR C/SKD
16	6401TZZ052A	SPEAKER ASSEMBLY, RZ-23/26/27 R 4P
17	6401TZZ052B	SPEAKER ASSEMBLY, RZ-23/26/27 L 5P