

PARTS CATALOG

PowerShot A620/A610



© CANON INC., 2005

商標

商標「Canon」、キヤノン製品の名称、サービス名等は、キヤノン株式会社の商標または登録商標です。（キヤノングループ各社の商標、登録商標の場合もあります。）
Adobe、Adobeロゴ、Acrobat、AcrobatロゴおよびReaderは、Adobe Systems Incorporated（アドビシステムズ社）の米国ならびに他の国における商標または登録商標です。
本サービスマニュアル中に記載されているその他の製品等の名称は、一般に各社の商標または登録商標です。

著作権

本サービスマニュアルの著作権は、キヤノン株式会社が保有しています。
事前にキヤノン株式会社の書面による許可を得ることなく、本サービスマニュアルの全部または一部を複製、転載、他の言語への翻訳等することを禁止します。

Trademarks:

Canon Inc.'s trademark, logos, product names, service marks and those trademark, logos, product names, service marks licensed to Canon Inc. by any of its affiliate or subsidiary are registered or unregistered marks of Canon Inc. or such affiliate or subsidiary in Japan and/or other countries.
Adobe, the Adobe logo, Acrobat, the Acrobat logo and Reader are either registered trademarks or trademarks of Adobe Systems Incorporated in the United States of America and/or other countries.
All other trademarks, product names, service marks are generally either registered or unregistered marks of their respective owners.

Copyright:

All copyrights in the content of this Service Manual are owned or controlled by Canon Inc. You are not permitted to copy, reproduce, download, modify, adapt or translate in any way the content of this Service Manual for any purpose other than the purpose contemplated herein without prior written consent of Canon Inc.

CONTENTS

PowerShot A620/A610

Casing Parts -----	Pg1
Internal Parts-1 -----	Pg2
LCD Unit -----	Pg3
Internal Parts-2 -----	Pg4
Optical Unit -----	Pg5
Fuse -----	Pg6
Accessories-1 -----	Pg7
Accessories-2 -----	Pg8
Waterpro Case-1 -----	Pg9
Waterpro Case-2 -----	Pg10
Service Tools-1 -----	Pg11
Service Tools-2 -----	Pg12

CLASS凡例

- A: 使用頻度 高
- B: 使用頻度 中
- C: 使用頻度 低
- D: 安全規格部品
- E: 消耗部品
- F: 標準ネジ、ワッシャー
- S: 供給制限品
- Y: サービス工具

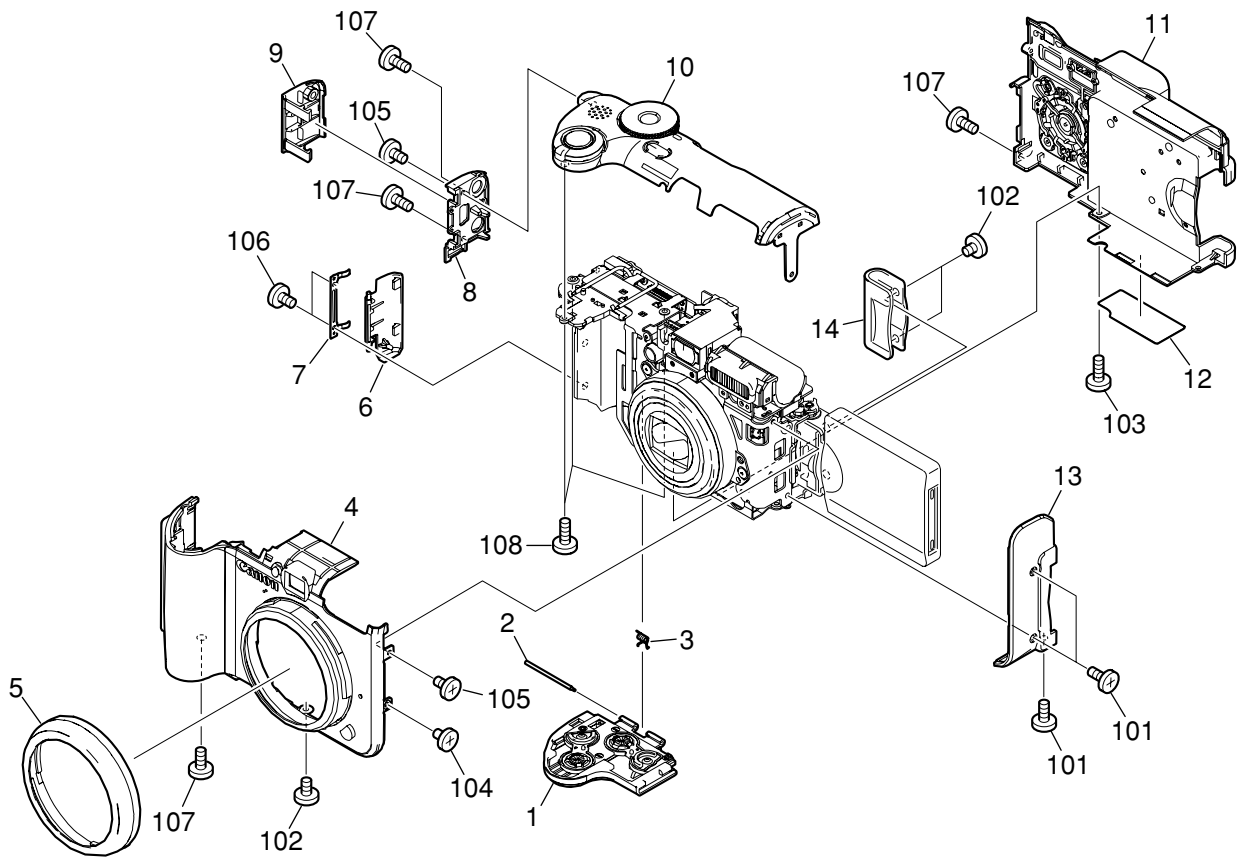
Category of CLASS

- A: Frequency of use: High
- B: Frequency of use: Middle
- C: Frequency of use: Low
- D: Safety-related critical parts
- E: Consumable parts
- F: Standard screws and washers
- S: Supply of the parts is limited
- Y: Service Tools

CAUTION

⚠ がついている部品は安全上重要な部品です。交換時は、必ず指定の部品を使用してください。
Especially critical parts in the power circuit block should not be replaced with other marks.
Critical parts are marked with ⚠ in this parts list

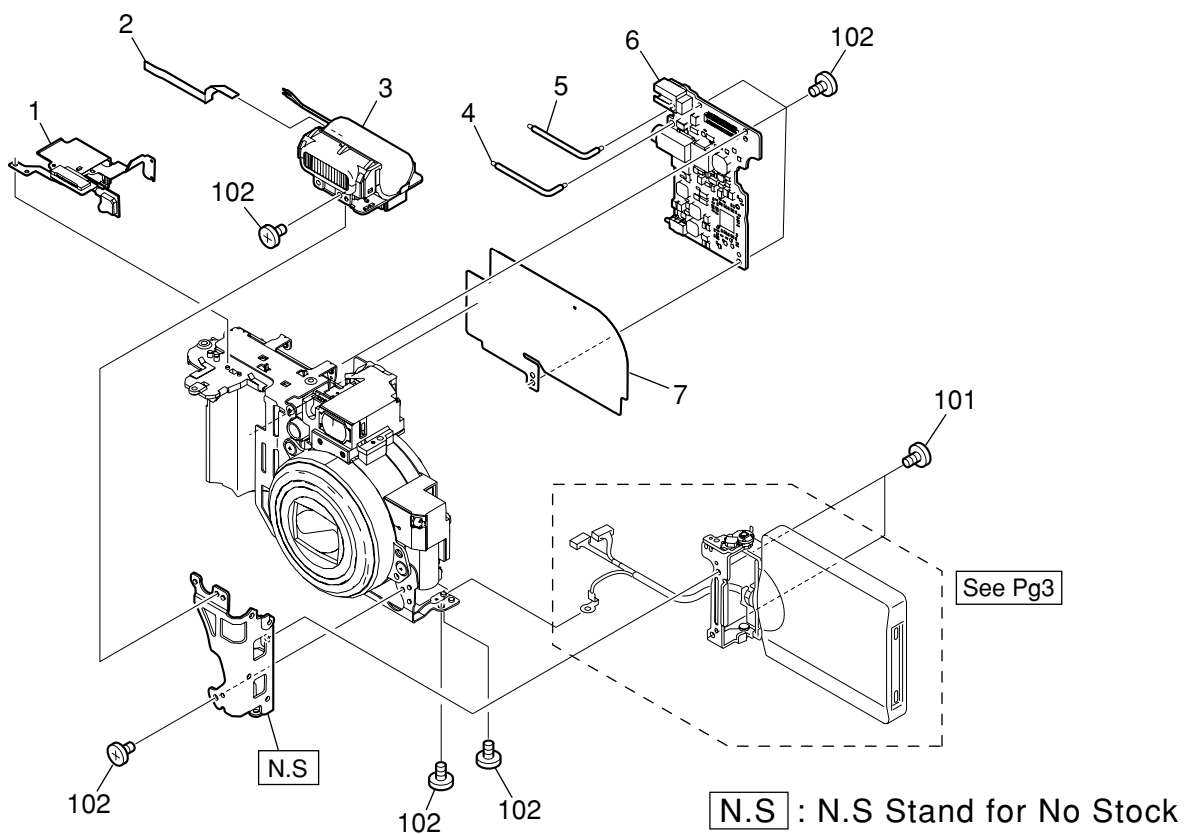
Casing Parts



PARTS LIST

NEW	SYMBOL	PARTS NO.	CLASS	QTY	DESCRIPTION	REMARKS
*	1	CM1-3041-000	B	1	COVER UNIT, BATTERY	PowerShot A620
*		CM1-3212-000	B	1	COVER UNIT, BATTERY	PowerShot A610
*	2	CD3-4064-000	C	1	SHAFT, BATTERY COVER	
*	3	CD3-4065-000	C	1	SPRING, BATTERY COVER	
*	4	CY1-6431-000	B	1	COVER UNIT, FRONT	PowerShot A620
*		CY1-6432-000	B	1	COVER UNIT, FRONT	PowerShot A610
*	5	CM1-3039-000	B	1	BAYONET CUP UNIT	PowerShot A620
*		CM1-3210-000	B	1	BAYONET CUP UNIT	PowerShot A610
*	6	CD3-4070-000	B	1	COVER, CARD SLOT	PowerShot A620
*		CD3-4521-000	B	1	COVER, CARD SLOT	PowerShot A610
*	7	CD3-4071-000	C	1	SPRING, PLATE	
*	8	CD3-4074-000	B	1	BASE, JACK	PowerShot A620
*		CD3-4523-000	B	1	BASE, JACK	PowerShot A610
*	9	CD3-4073-000	B	1	COVER, JACK	PowerShot A620
*		CD3-4522-000	B	1	COVER, JACK	PowerShot A610
*	10	CM1-3043-000	B	1	COVER UNIT, TOP	PowerShot A620
*		CM1-3221-000	B	1	COVER UNIT, TOP	PowerShot A610
*	11	CM1-3042-000	B	1	COVER UNIT, REAR	PowerShot A620
*		CM1-3213-000	B	1	COVER UNIT, REAR	PowerShot A610
*	12	CY1-6427-000	B	1	PLATE, BODY NUMBER	PowerShot A620 #13061xxxxx
*		CY1-6428-000	B	1	PLATE, BODY NUMBER	PowerShot A610 #13061xxxxx
*	13	CD3-4121-000	B	1	COVER, SIDE	
*	14	CD3-4134-000	B	1	COVER, HINGE	PowerShot A620
*		CD3-4534-000	B	1	COVER, HINGE	PowerShot A610
*	101	CD3-4127-000	C	3	SCREW	
*	102	CD3-4128-000	C	3	SCREW	
*	103	CD3-4129-000	C	1	SCREW	
	104	XA1-7170-167	F	1	SCREW	
	105	XA1-7170-257	F	2	SCREW	
	106	XA4-5140-257	F	2	SCREW	
	107	XA4-9170-357	F	4	SCREW	
	108	XA4-9170-457	F	3	SCREW	

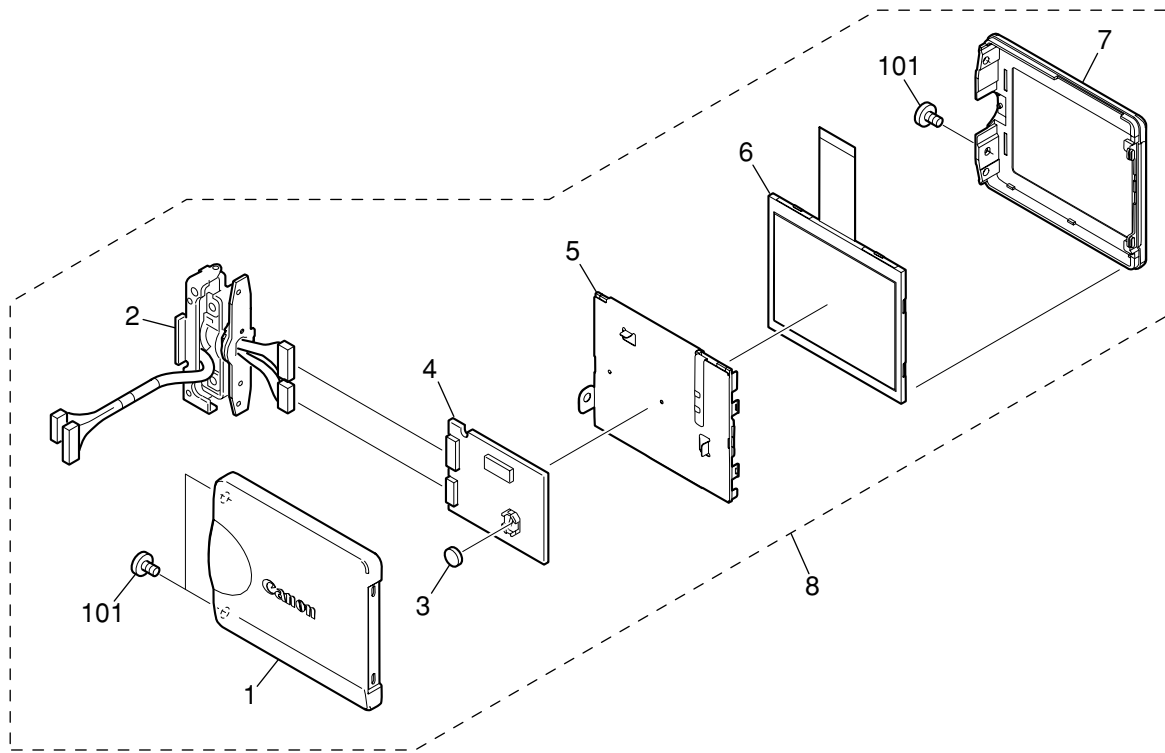
Internal Parts-1



PARTS LIST

NEW	SYMBOL	PARTS NO.	CLASS	QTY	DESCRIPTION	REMARKS
*	1	CM1-3077-000	C	1	FPC ASS'Y, MAIN-DC	
*	2	CK2-2280-000	C	1	FPC, MAIN-FLASH	
*	3	CM1-3012-000	C	1	FLASH UNIT	PowerShot A620
*		CM1-3219-000	C	1	FLASH UNIT	PowerShot A610
*	4	CK2-2281-000	C	1	WIRE, DC-BATTERY, RED	
*	5	CK2-2282-000	C	1	WIRE, DC-BATTERY, BLACK	
*	6	CM1-3071-000	C	1	PCB ASS'Y, DC/OPERATION	
*	7	CD3-4056-000	C	1	SHEET, MAIN	
	101	CD3-1400-000	C	2	SCREW	NK GRIP
	102	XA1-7170-257	G	7	SCREW	

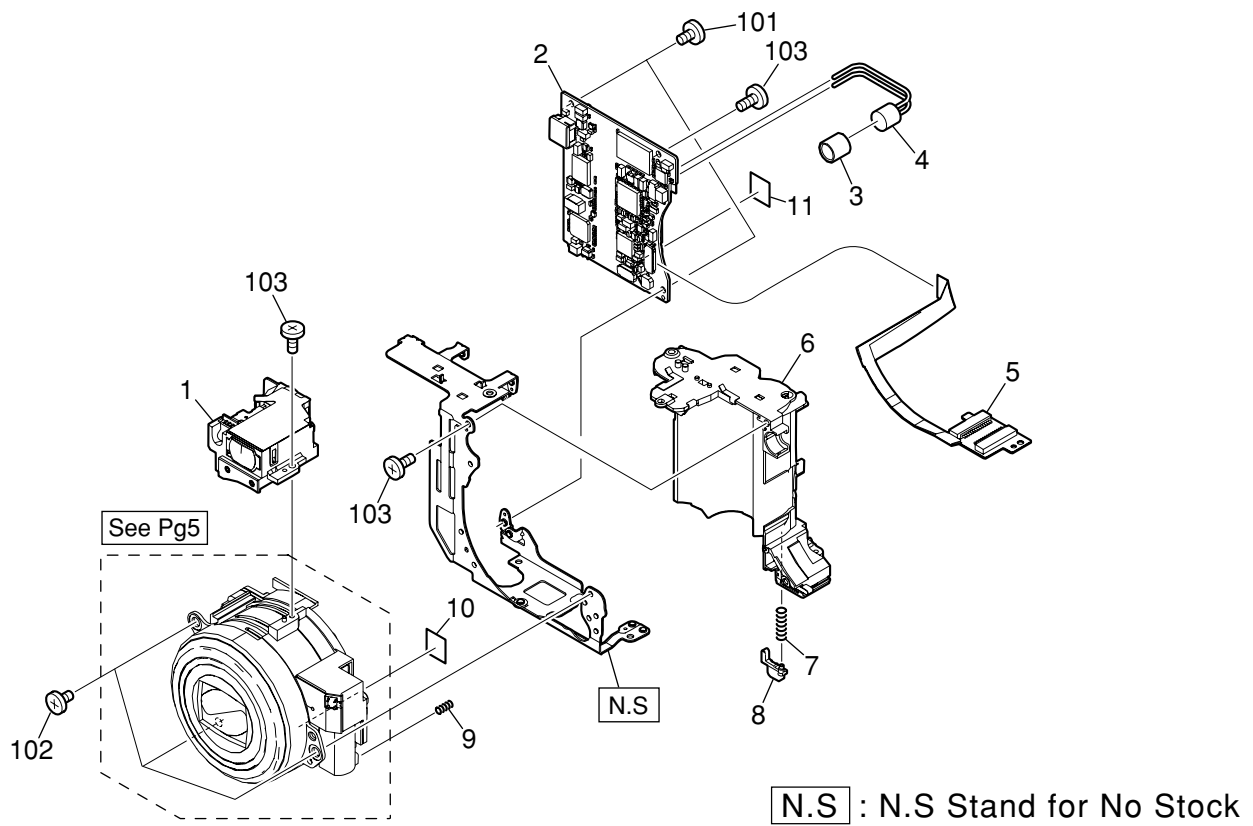
LCD Unit



PARTS LIST

NEW	SYMBOL	PARTS NO.	CLASS	QTY	DESCRIPTION	REMARKS
*	1	CD3-4132-000	B	1	COVER, LCD TOP	PowerShot A620
*		CD3-4532-000	B	1	COVER, LCD TOP	PowerShot A610
*	2	CM1-3013-000	C	1	LCD HINGE UNIT	
	3	WK1-5132-000	D	1	BATTERY, LITHIUM-ION	CELL/MS614FS<2ND>
*	4	CM1-3073-000	C	1	PCB ASS'Y, LCD	
*	5	CM1-3011-000	C	1	BACK LIGHT UNIT	
*	6	CK9-1156-000	B	1	PANEL, LCD	
*	7	CD3-4133-000	B	1	COVER, LCD BOTTOM	PowerShot A620
*		CD3-4533-000	B	1	COVER, LCD BOTTOM	PowerShot A610
*	8	CY1-6429-000	B	1	LCD UNIT (SELECTION)	PowerShot A620
*		CY1-6430-000	B	1	LCD UNIT (SELECTION)	PowerShot A610
	101	XA1-7170-257	F	3	SCREW	

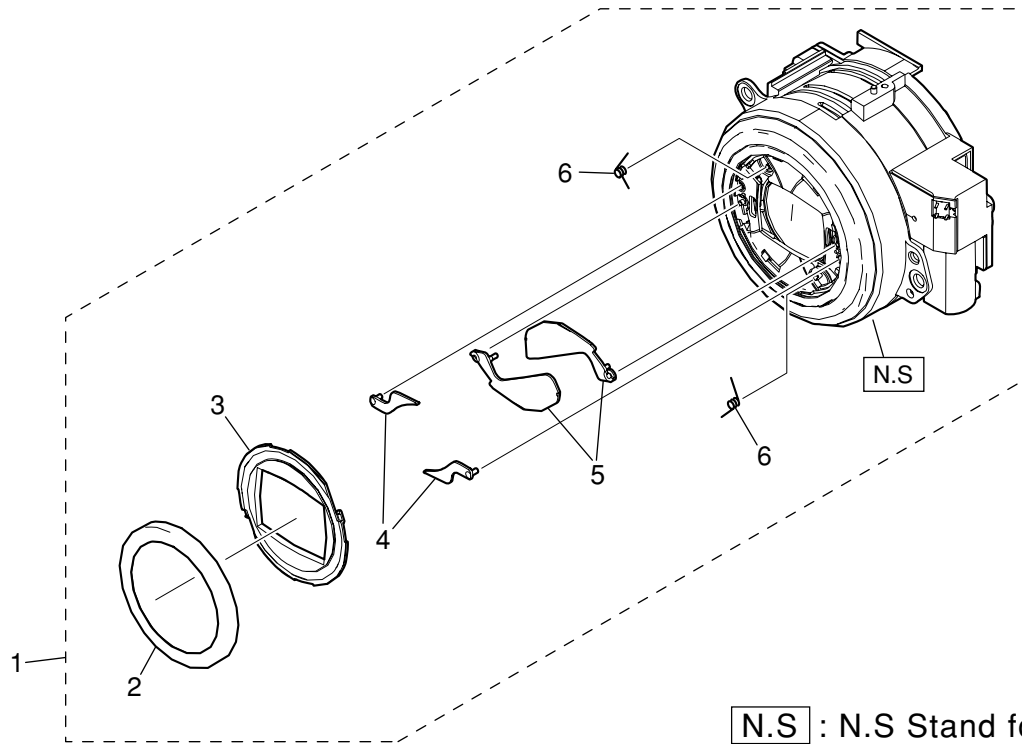
Internal Parts-2



PARTS LIST

NEW	SYMBOL	PARTS NO.	CLASS	QTY	DESCRIPTION	REMARKS
*	1	CM1-3024-000	C	1	FINDER UNIT	
*	2	CM1-3025-000	C	1	PCB ASS'Y, MAIN	PowerShot A610
*		CM1-3070-000	C	1	PCB ASS'Y, MAIN	PowerShot A620
*	3	CD3-4052-000	C	1	BUSHING, MICROPHONE	
*	4	CM1-3036-000	C	1	MICROPHONE UNIT	
*	5	CM1-3078-000	C	1	FPC ASS'Y, MAIN-LCD	
*	6	CM1-3040-000	C	1	BATTERY BOX UNIT	PowerShot A620
*		CM1-3211-000	C	1	BATTERY BOX UNIT	PowerShot A610
*	7	CD3-4054-000	C	1	SPRING, DETECTOR	
*	8	CD3-4053-000	C	1	LEVER, SWITCH	
*	9	CD3-4236-000	C	1	SPRING, GND	
*	10	CD3-4068-000	C	1	SHEET, EMI	
*	11	CD3-4068-000	C	1	SHEET, EMI	PowerShot A610
	101	XA1-7170-207	F	2	SCREW	
	102	XA1-7170-257	G	3	SCREW	
	103	XA4-9170-357	G	3	SCREW	

Optical Unit

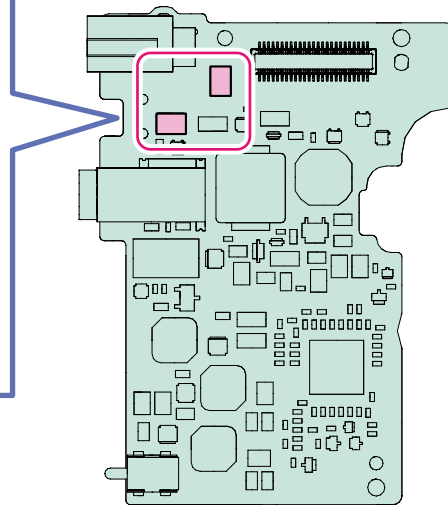
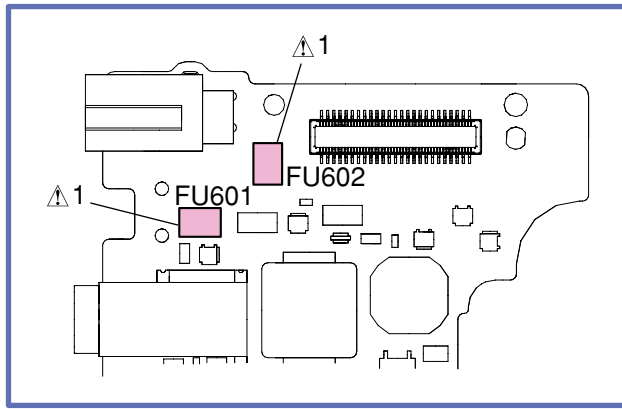


N.S : N.S Stand for No Stock

PARTS LIST

NEW	SYMBOL	PARTS NO.	CLASS	QTY	DESCRIPTION	REMARKS
*	1	CM1-3014-000	B	1	OPTICAL UNIT	PowerShot A620
*		CM1-3201-000	B	1	OPTICAL UNIT	PowerShot A610
*	2	CD3-4260-000	B	1	CAP, FRONT	
*	3	CD3-4258-000	B	1	COVER, BARRIER	
*	4	CD3-4264-000	B	2	PLATE, BARRIER, 2	
*	5	CD3-4263-000	B	2	PLATE, BARRIER, 1	
*	6	CD3-4265-000	C	2	SPRING, BARRIER PLATE, 2	

Fuse



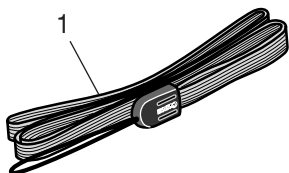
DC/OPERATION PCB ASS'Y
(Primary Side)

PARTS LIST

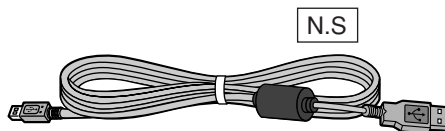
NEW SYMBOL	PARTS NO.	CLASS	QTY	DESCRIPTION	REMARKS
△1	CY4-6074-000	D	2	FUSE, MATSU. DENKI UNHS206	FU601, FU602

Accessories-1

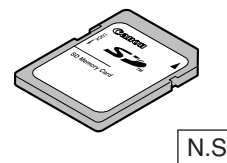
Wrist Strap WS-200



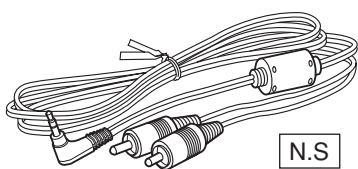
**USB Interface Cable
IFC-400PCU**



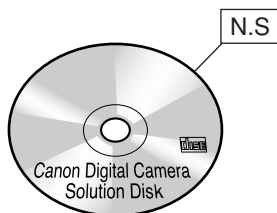
**SD Memory Card SDC-32M
SD Memory Card SDC-16M**



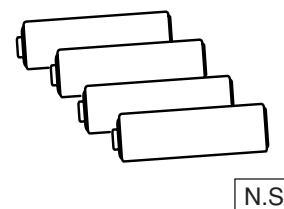
AV Cable AVC-DC300



**Canon Digital Camera
Solution Disk**



Alkaline Batteries (X4)



N.S : N.S Stand for No Stock

PARTS LIST

NEW SYMBOL	PARTS NO.	CLASS	QTY	DESCRIPTION	REMARKS
1	C84-1060-000	B	1	STRAP, WRIST WS-200	

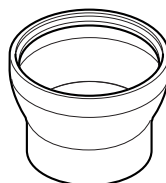
Accessories-2

Compact Power Adapter CA-PS500



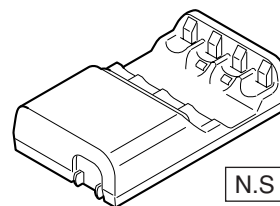
N.S

Conversion Lens Adapter LA-DC58F



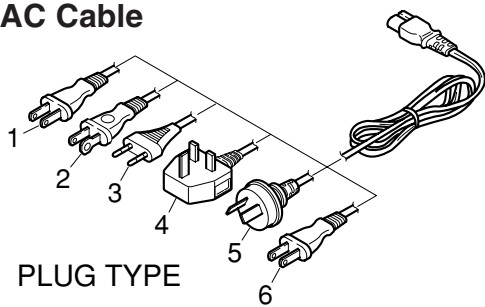
N.S

Battery Charger CB-4AH



N.S

AC Cable

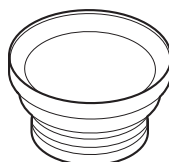


PLUG TYPE

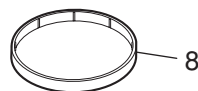
Wide Converter WC-DC58N Tele Converter TC-DC58N



7



N.S



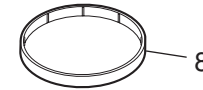
8



9



N.S



8

NiMH Battery NB4-200



N.S

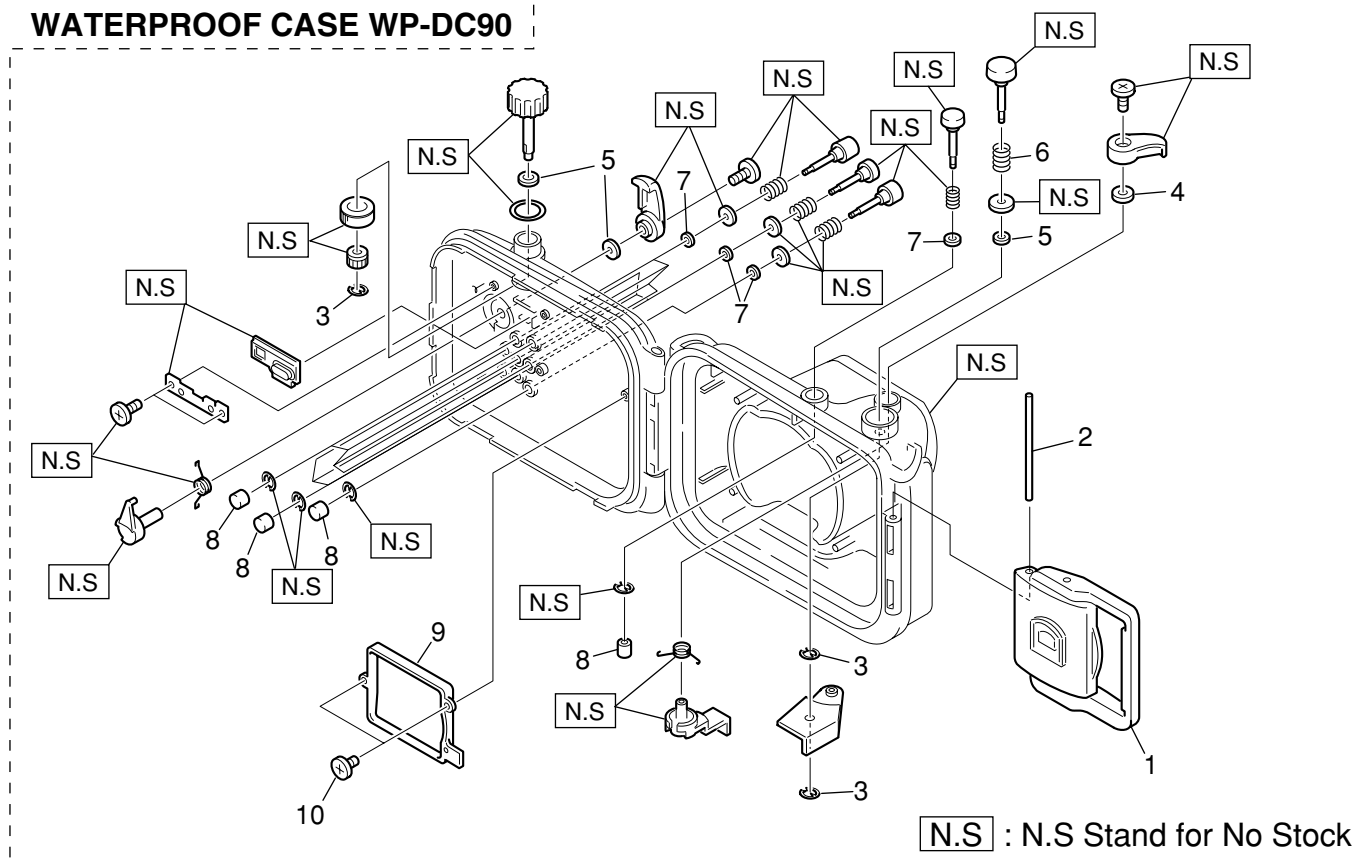
N.S : N.S Stand for No Stock

PARTS LIST

NEW SYMBOL	PARTS NO.	CLASS	QTY	DESCRIPTION	REMARKS
1	D82-0641-000	C	1	CABLE, AC, JAPAN	FOR JAPAN
2	WT3-5063-000	C	1	CABLE, AC, USA	FOR USA, CANADA
3	D82-0643-000	C	1	CABLE, AC, EUROPE	FOR EUROPE, ASIA
4	D82-0644-000	C	1	CABLE, AC, UK	FOR ASIA
5	D82-0645-001	C	1	CABLE, AC, AUSTRALIA	FOR AUSTRALIA
6	WT3-5087-000	C	1	CABLE, AC, CHINA	FOR CHINA
7	CD1-4929-000	B	1	CAP, FRONT	
8	CD1-4931-000	B	1	CAP, REAR	
9	CD1-4933-000	B	1	CAP, FRONT	

Waterproof Case-1

WATERPROOF CASE WP-DC90

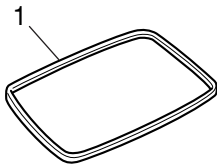


PARTS LIST

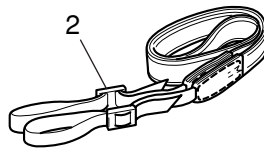
NEW	SYMBOL	PARTS NO.	CLASS	QTY	DESCRIPTION	REMARKS
*	1	CY1-6455-000	C	1	BUCKLE ASS'Y	
	2	CY1-6398-000	C	1	SHAFT, BUCKLE	
	3	CY1-6168-000	C	3	E RING	
	4	CY1-6252-000	C	1	O RING(P-3)	
*	5	CY1-6456-000	C	3	O RING(P-5)	
	6	CY1-6167-000	C	1	SPRING, COIL	
*	7	CY1-6457-000	C	9	O RING(P-2)	
*	8	CY1-6458-000	C	9	CAP, BUTTON(A)	
*	9	CY1-6460-000	C	1	HOOD, INSIDE	
*	10	CY1-6462-000	C	2	SCREW	

Waterproof Case-2

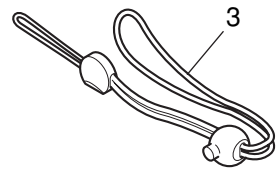
Waterproof Seal



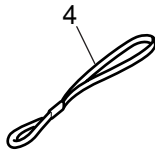
Neck Strap



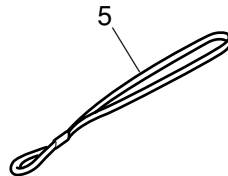
Wrist Strap



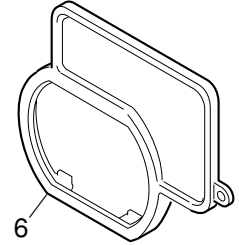
Strap



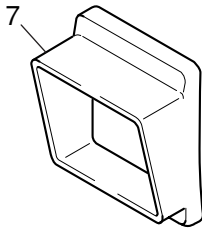
Large Strap



Diffusion Plate Unit



Hood

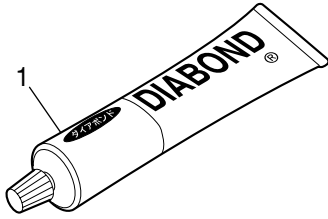


PARTS LIST

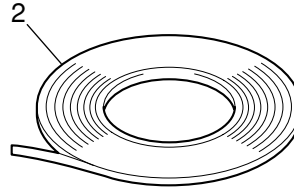
NEW	SYMBOL	PARTS NO.	CLASS	QTY	DESCRIPTION	REMARKS
	1	CY1-6272-000	B	1	PACKING, RUBBER	
	2	CY1-6099-000	B	1	STRAP, NECK	
	3	CY1-6174-000	B	1	STRAP, WRIST	
	4	CY1-6329-000	C	1	STRAP	
	5	CY1-6400-000	C	1	STRAP, LARGE	
*	6	CY1-6461-000	B	1	DIFFUSION PLATE ASS'Y	
*	7	CY1-6459-000	B	1	HOOD	

Service Tools-1

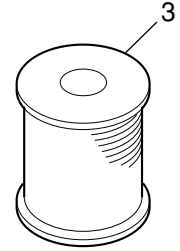
DIABOND NO.1663G Black



**Adhesive Tape SONY T4000
(Double-side Tape)**



Lead Free Solder RMA-98

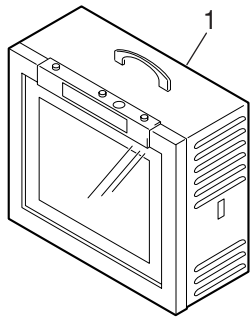


PARTS LIST

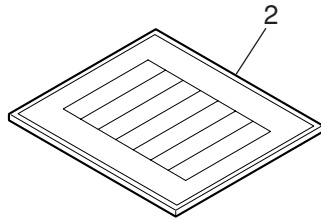
NEW	SYMBOL	PARTS NO.	CLASS	QTY	DESCRIPTION	REMARKS
	1	CY9-8129-000	Y	1	BOND, DIABOND NO.1663G BLACK	
	2	CY4-6012-000	Y	1	ADHESIVE TAPE, SONY T4000	6mm x 50m roll
	3	CY9-4045-000	Y	1	SOLDER, LEAD FREE RMA-98	

Service Tools-2

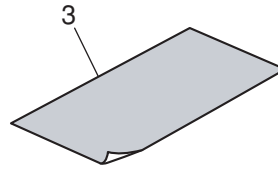
Color Viewer (5500° K)



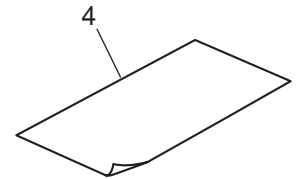
Standard Color Bar Chart



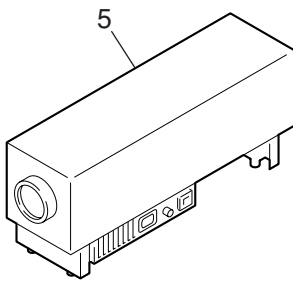
18% Gray Chart



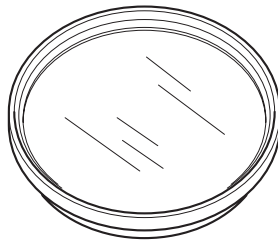
ZOOM / AF Chart (1)



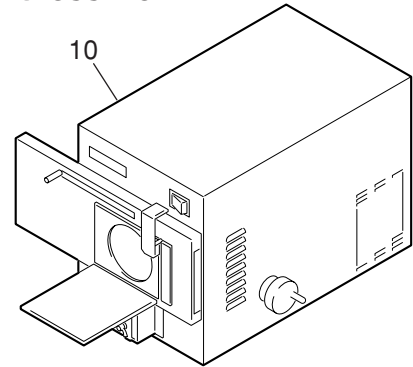
Infinity Collimator



- C-12 Filter ——— 6
- W-10 Filter ——— 7
- FL-W Filter ——— 8
- ND-4 Filter ——— 9



Brightness Box



PARTS LIST

NEW	SYMBOL	PARTS NO.	CLASS	QTY	DESCRIPTION	REMARKS
	1	CY9-1562-100	Y	1	COLOR VIEWER 5500K	FOR 100-120V AC
		CY9-1562-200	Y	1	COLOR VIEWER 5500K	FOR 200-240V AC
	2	DY9-2002-000	Y	1	COLOR BAR CHART	
	3	CY9-1563-000	Y	1	CHART, 18% GRAY	
	4	CY9-1593-000	Y	1	CHART, ZOOM/AF (1)	
	5	CY9-1569-100	Y	1	COLLIMATOR, INFINITY	FOR 100-120V AC
		CY9-1569-200	Y	1	COLLIMATOR, INFINITY	FOR 200-240V AC
	6	CY9-1555-000	Y	1	FILTER, C-12	
	7	CY9-1556-000	Y	2	FILTER, W-10	
	8	CY9-1557-000	Y	1	FILTER, FL-W	
	9	CY9-1553-000	Y	1	FILTER, ND-4	
	10	CY9-1566-100	Y	1	BRIGHTNESS BOX	FOR 100-120V AC
		CY9-1566-200	Y	1	BRIGHTNESS BOX	FOR 200-240V AC