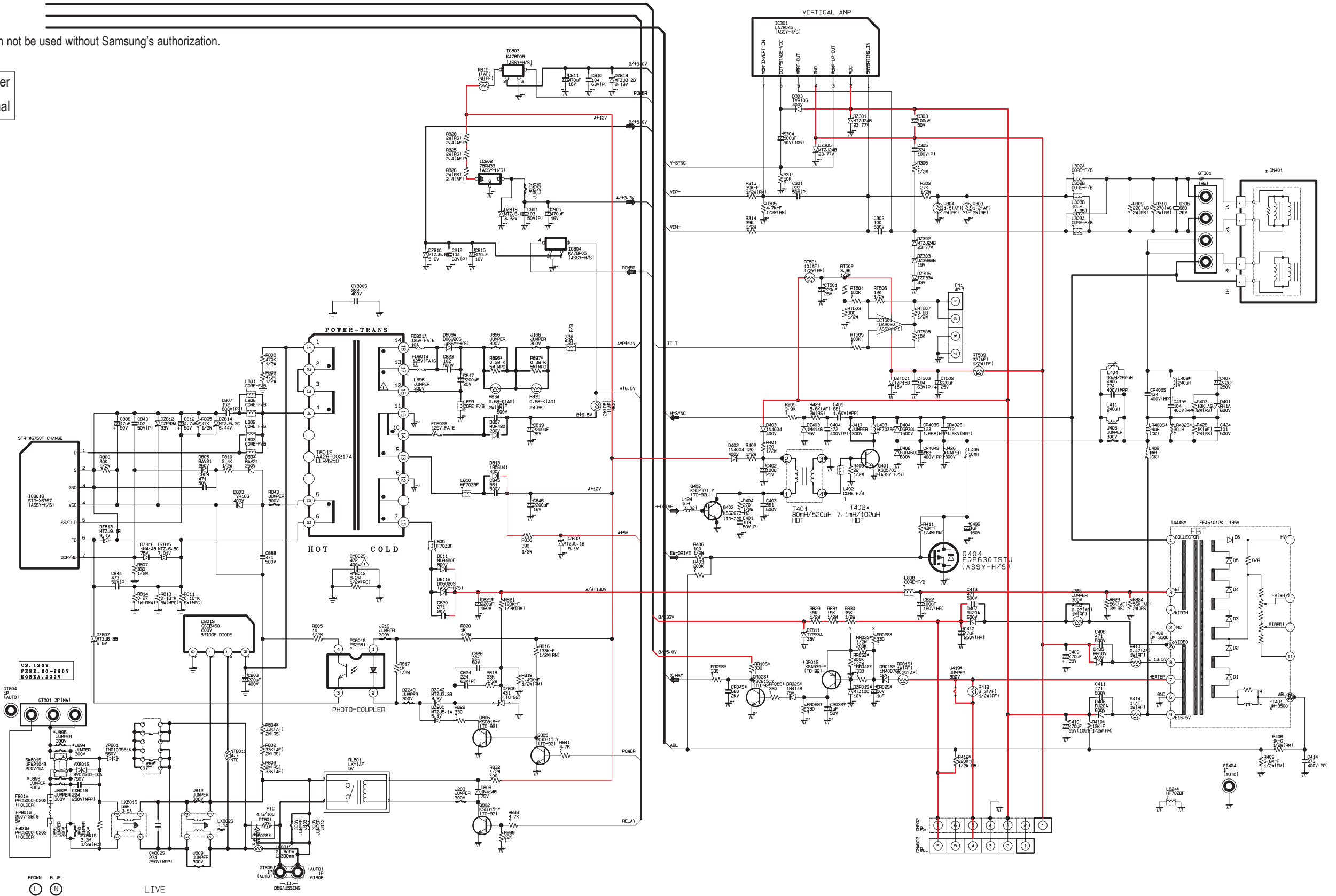


10. Schematic Diagram

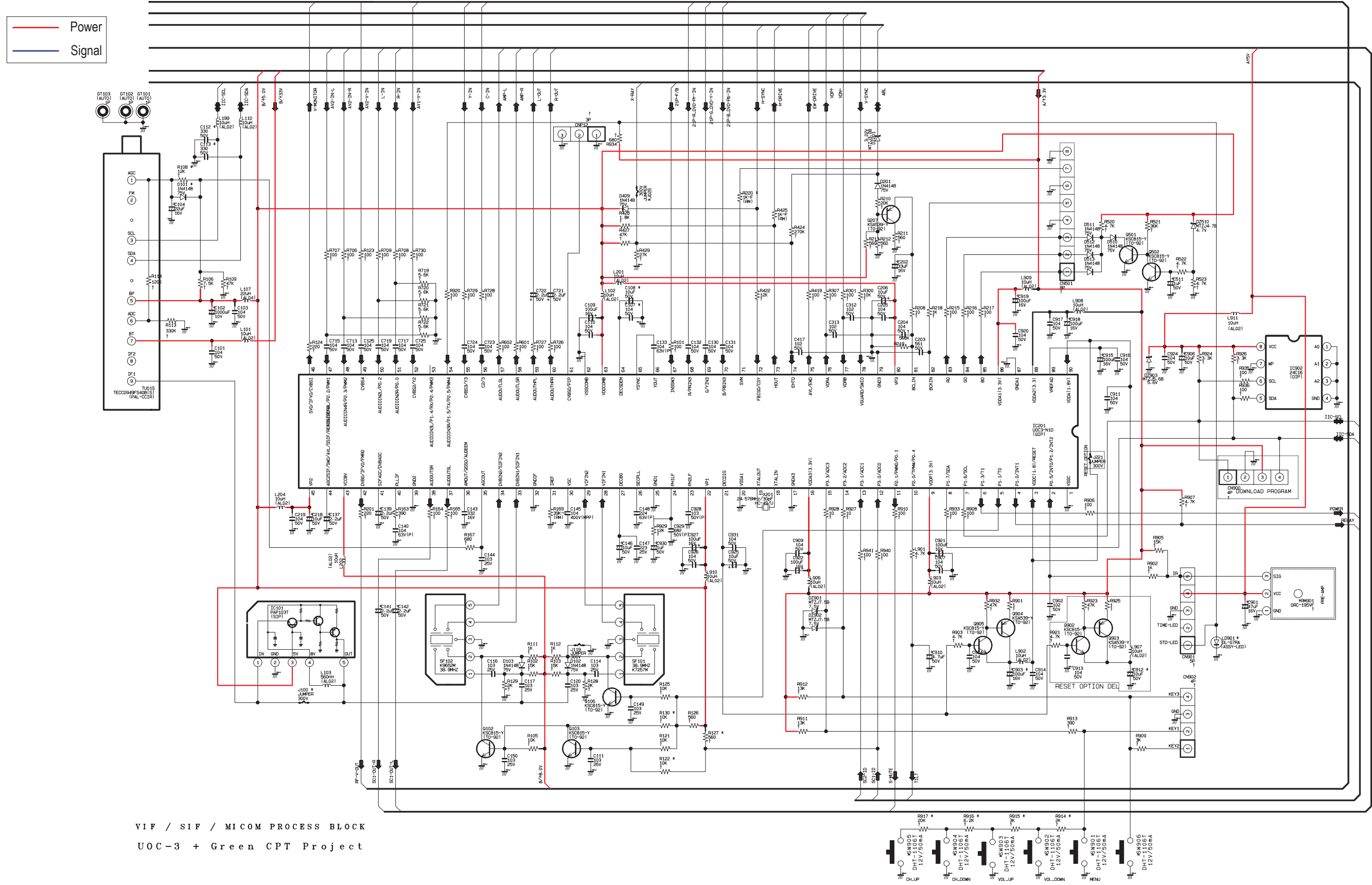
10-1 POWER & DEFLECTION BLOCK

This Document can not be used without Samsung's authorization.



10-2 IF & UOC(CHROMA_MICOM)BLOCK

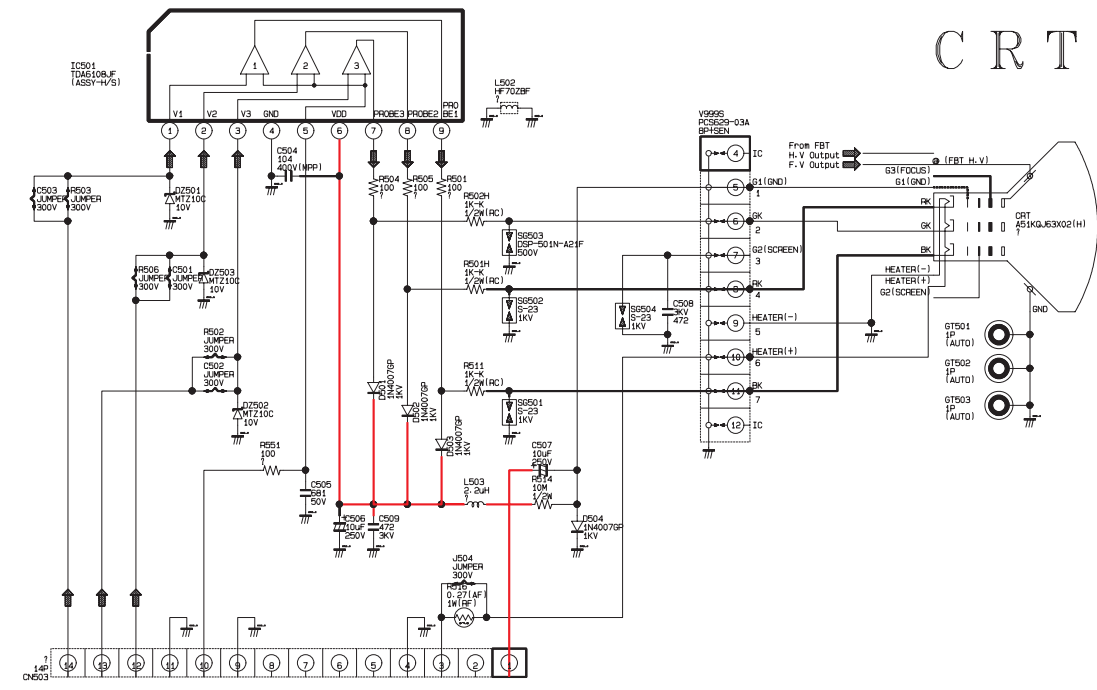
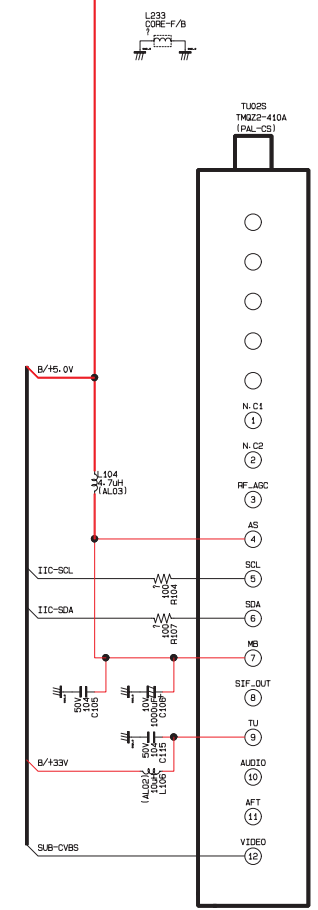
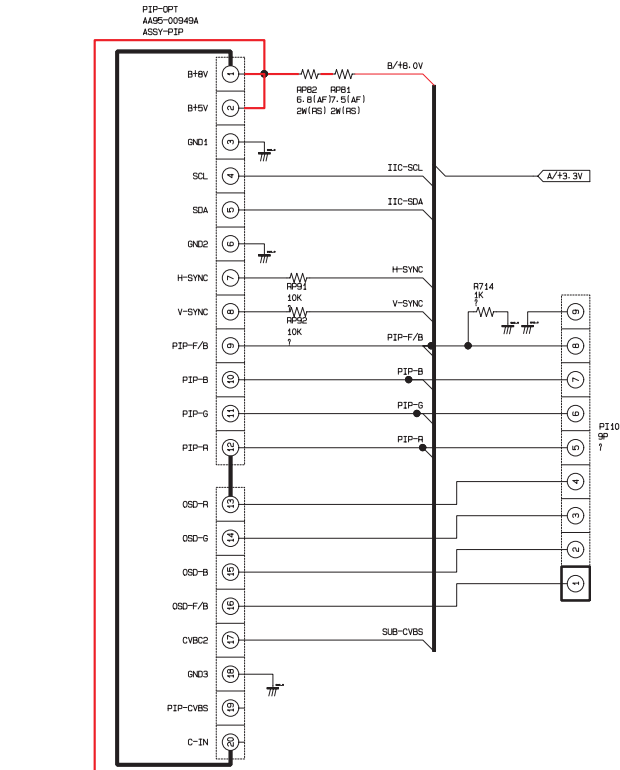
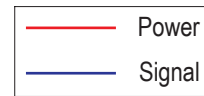
This Document can not be used without Samsung's authorization.



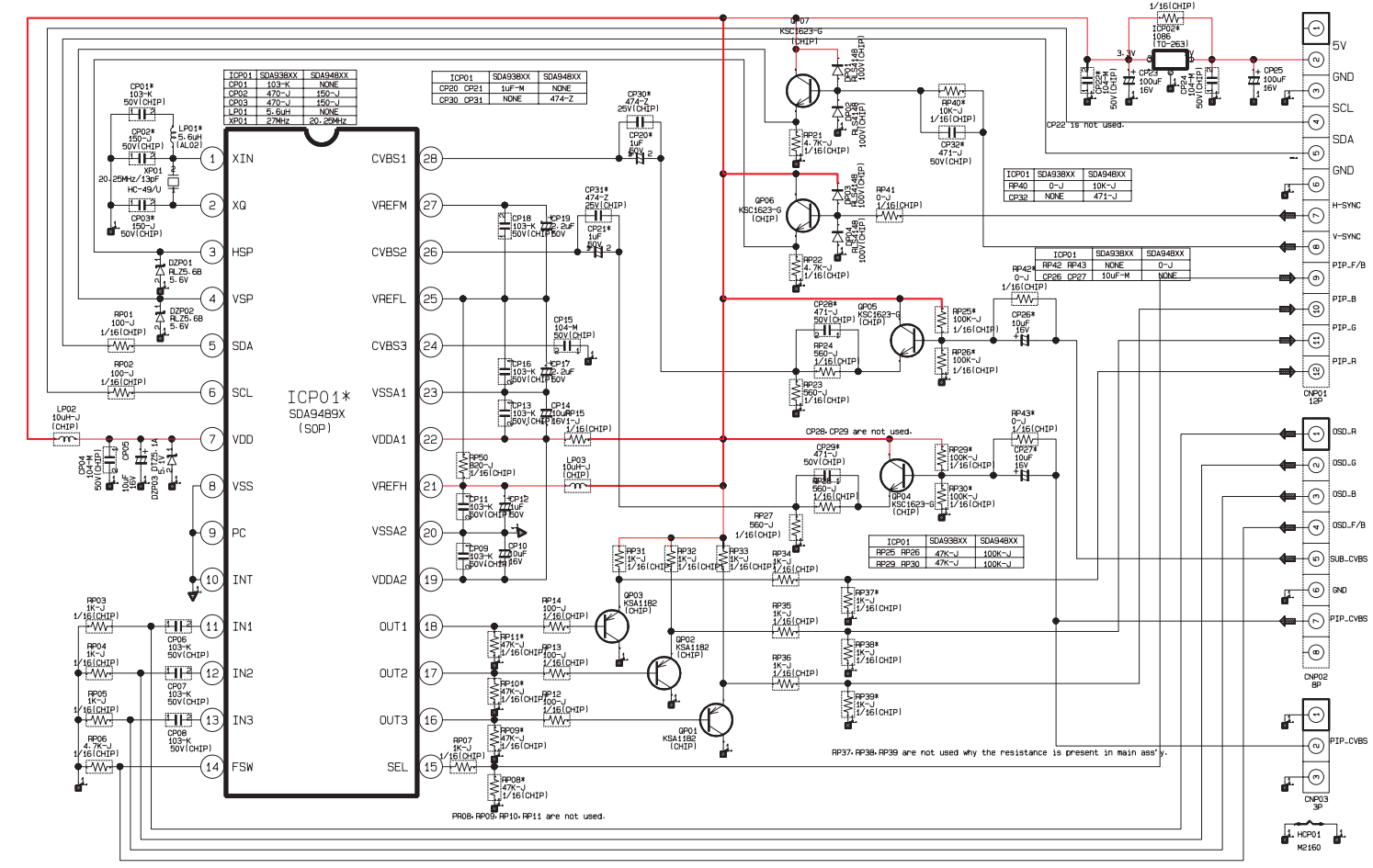
VIF / SIF / MICOM PROCESS BLOCK
 UOC-3 + Green CPT Project

10-3 PIP & CRT BLOCK

This Document can not be used without Samsung's authorization.

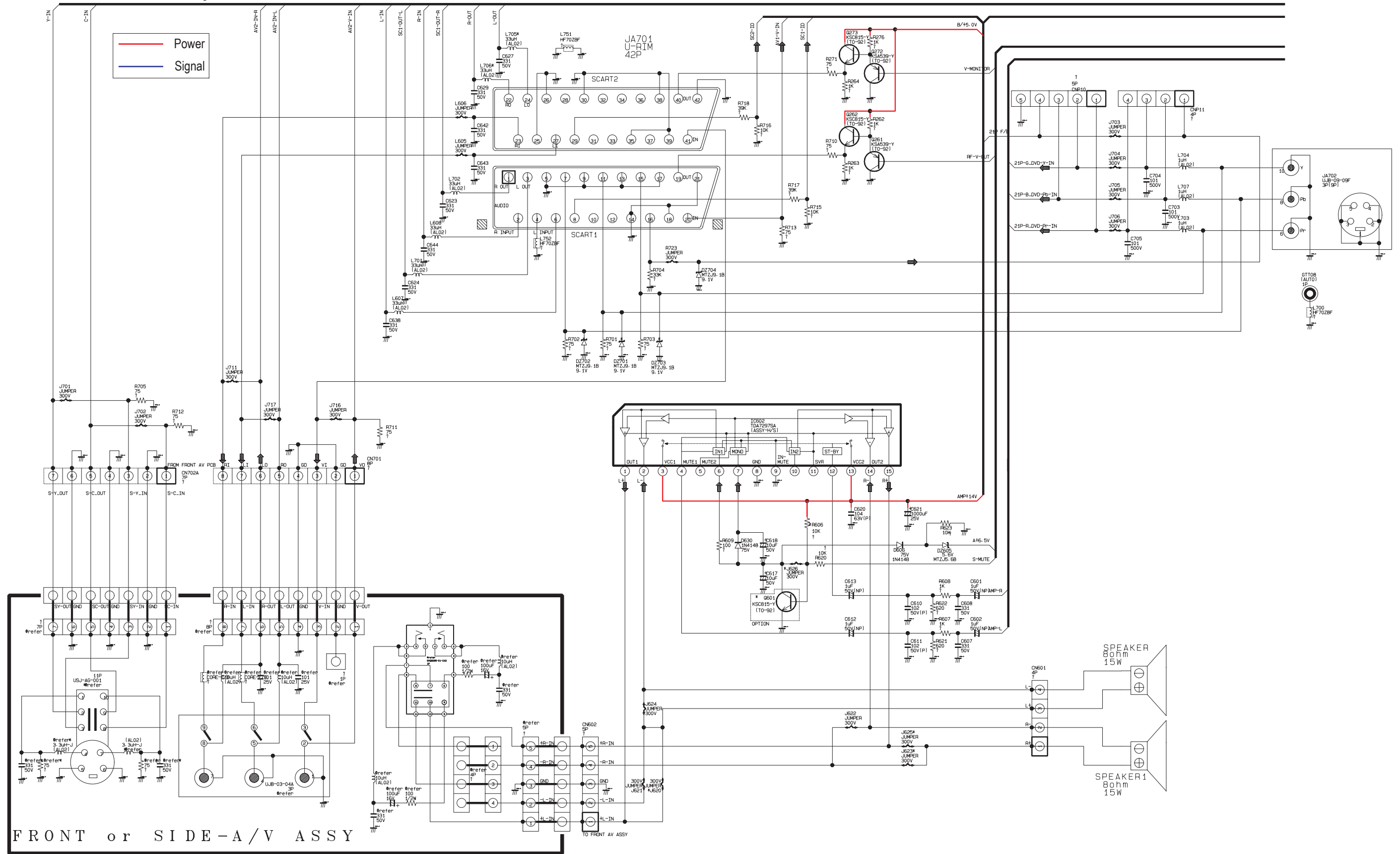


KS2A/KS3A ASS' Y-PIP MODULE



10-4 AV & SOUND BLOCK

This Document can not be used without Samsung's authorization.



FRONT or SIDE-A/V ASSY