

(22)

(19-21)

(16-18)

(15)

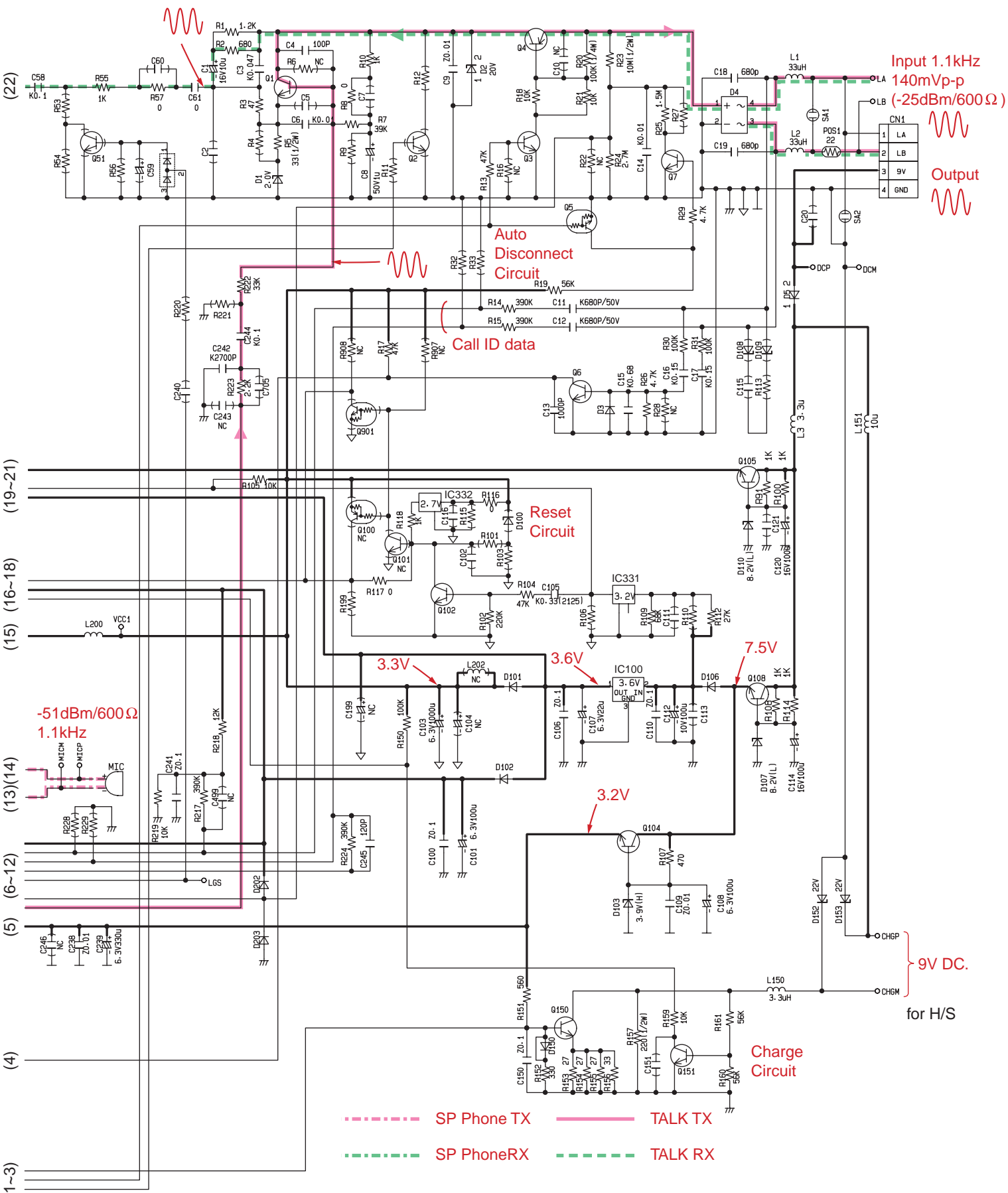
(13)(14)

(6-12)

(5)

(4)

(1-3)



KX-TG2257BXS SCHEMATIC DIAGRAM (Base Unit)