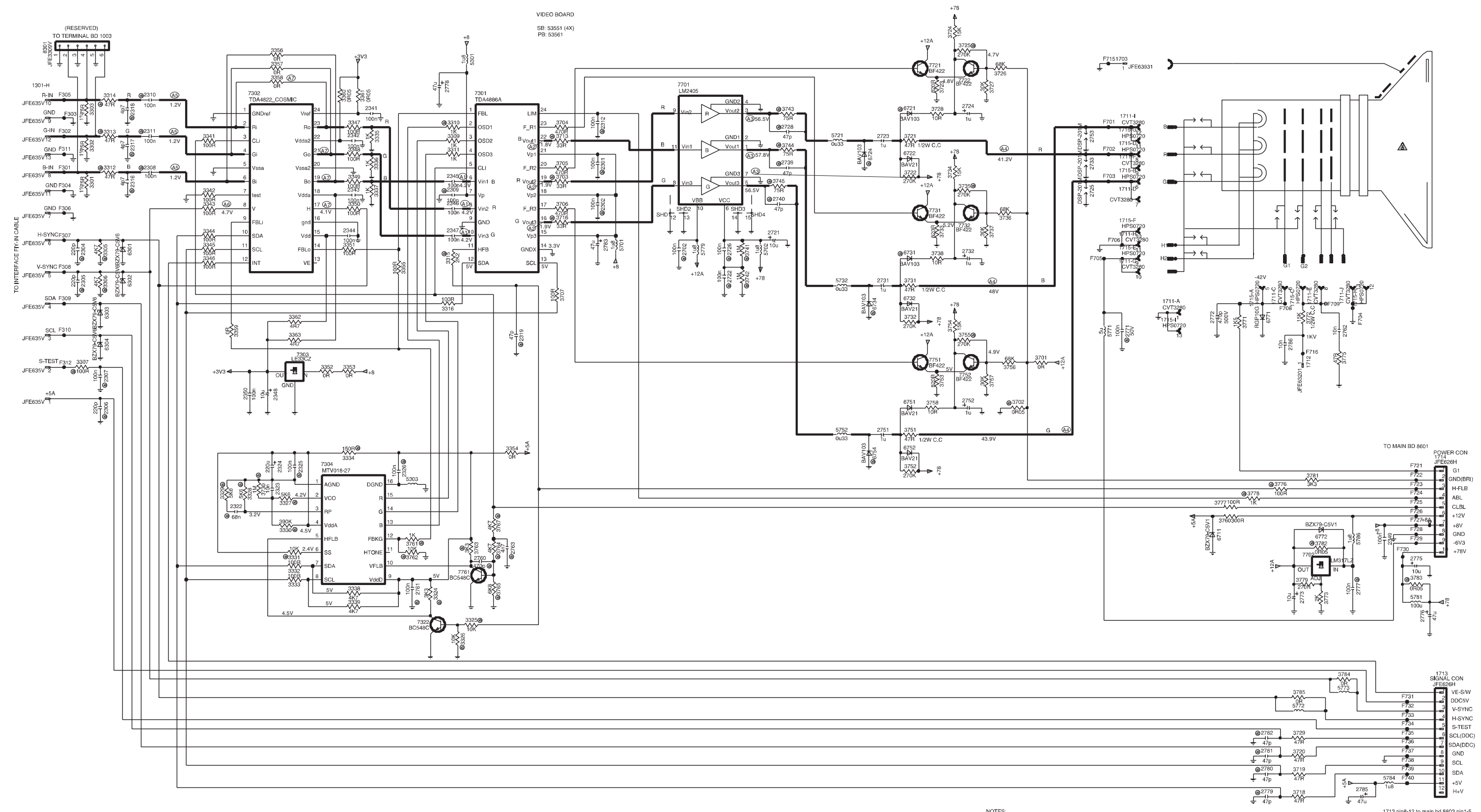


Video Panel (A) Schematic Diagram & Waveforms for Diagram (A)



NOTES:
● STANDS FOR CHIP COMPONENT

1713 pin8-12 to main bd 8603 pin1-5

Power Supply Schematic Diagram

MAIN PCB
SB: 53541

