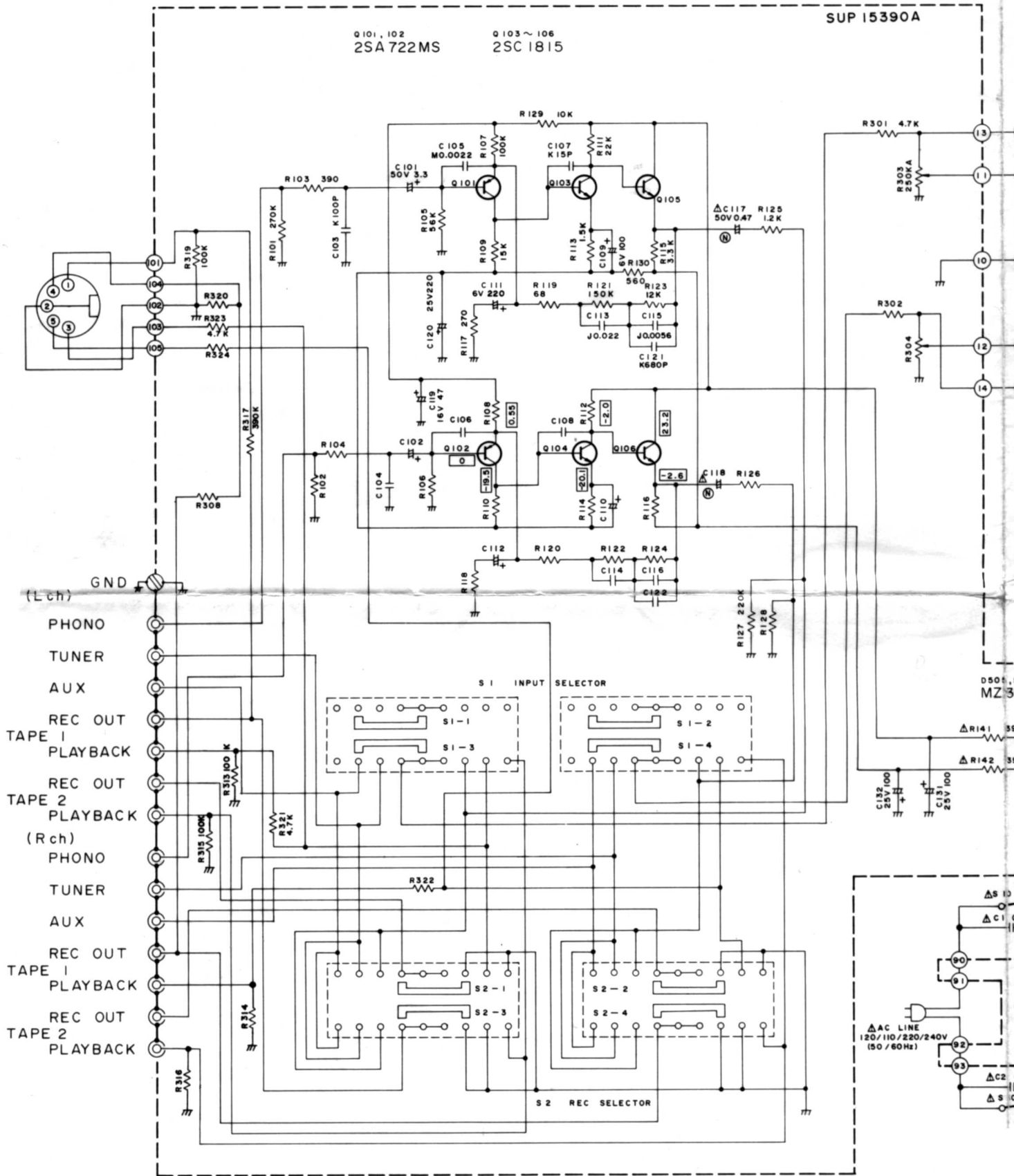
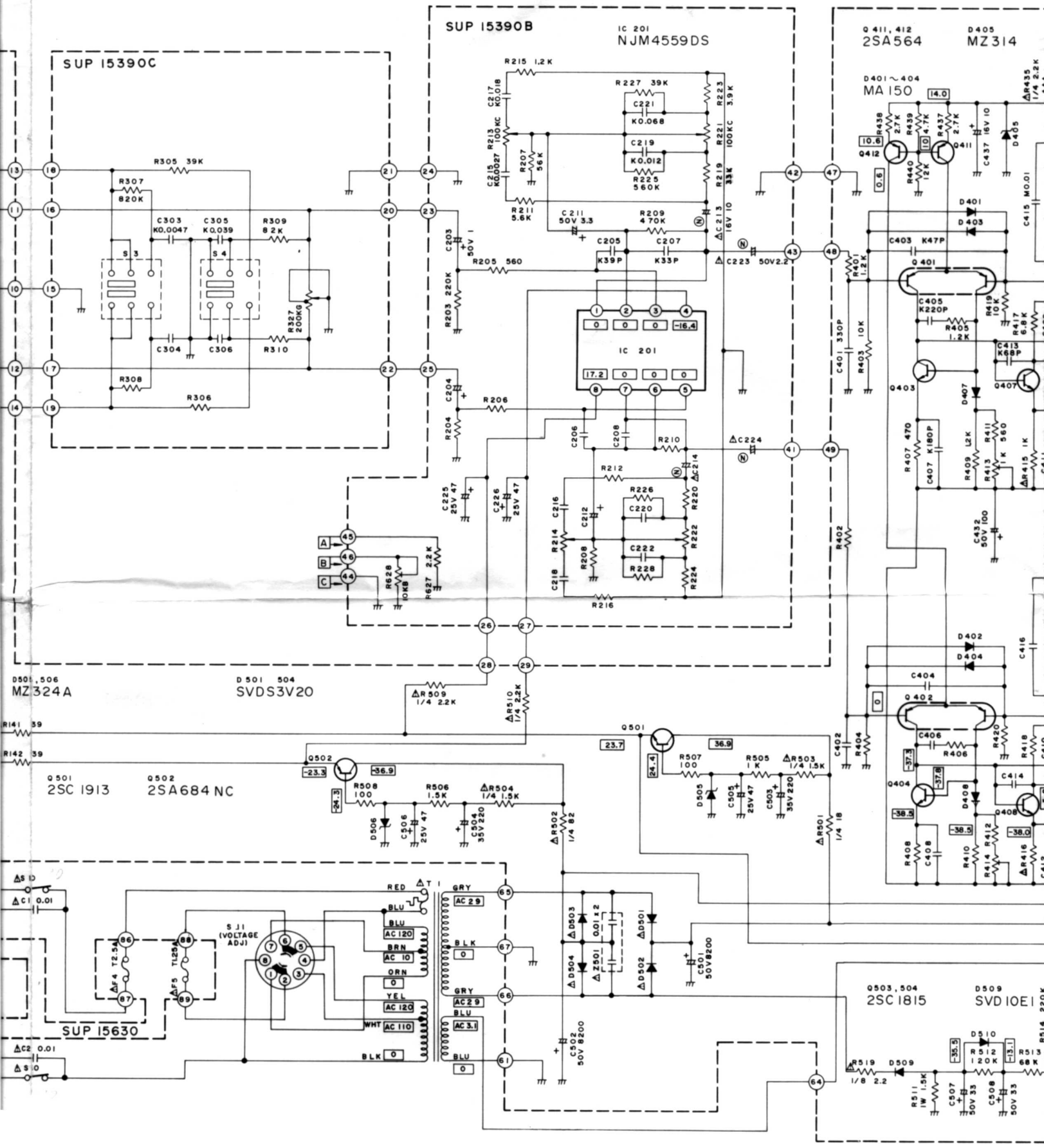


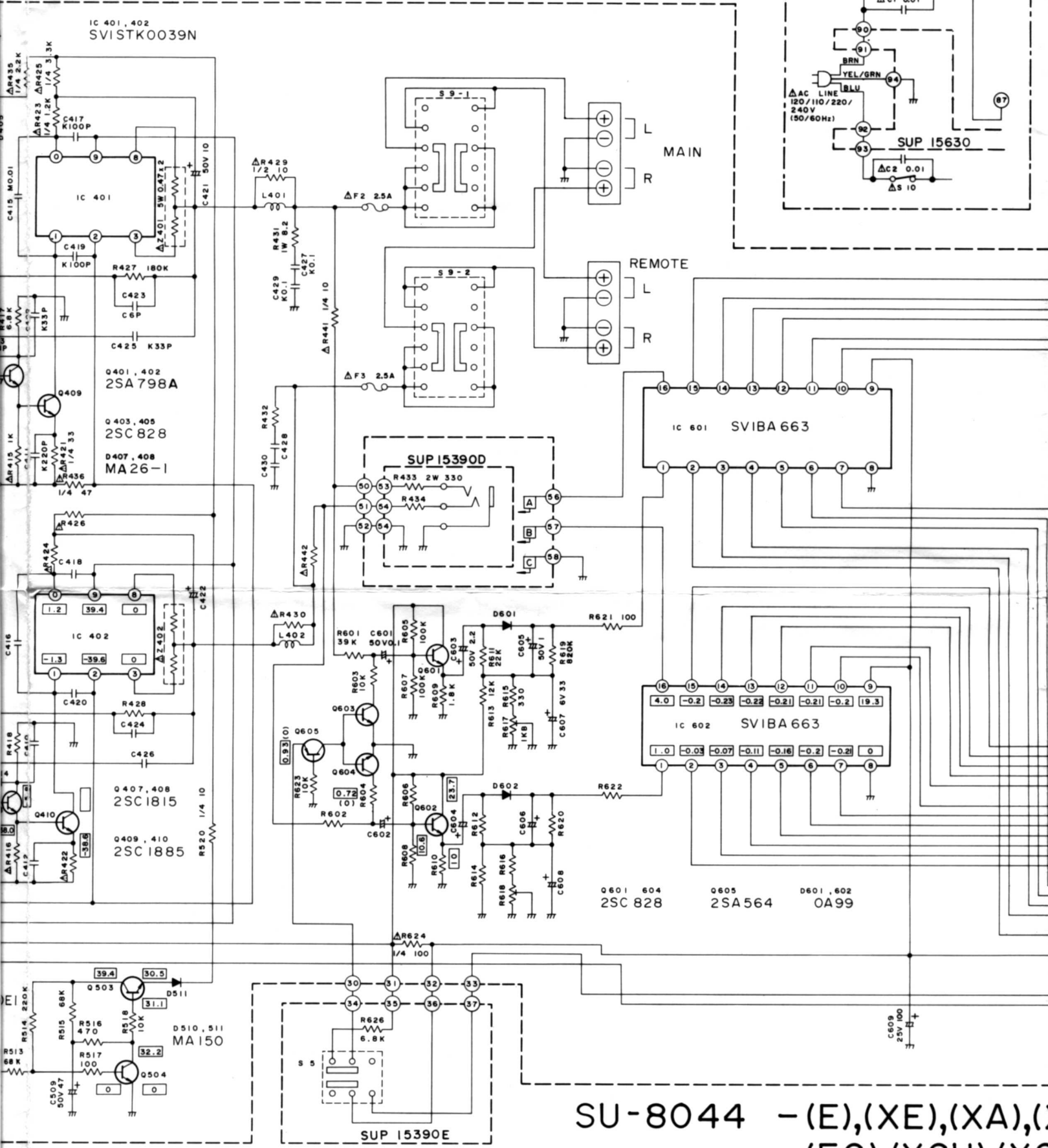
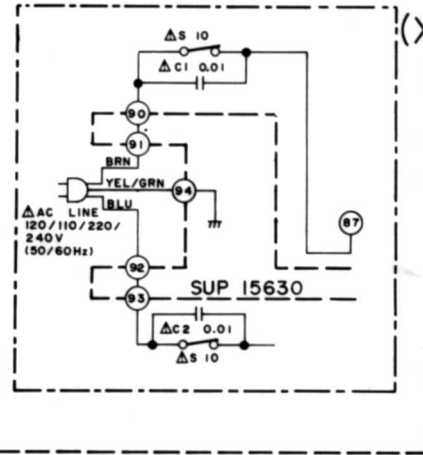
# Schematic Diagram ... Model SU-8044/SU-8044K (This



(This schematic diagram may be modified at any time with the development of new technology)

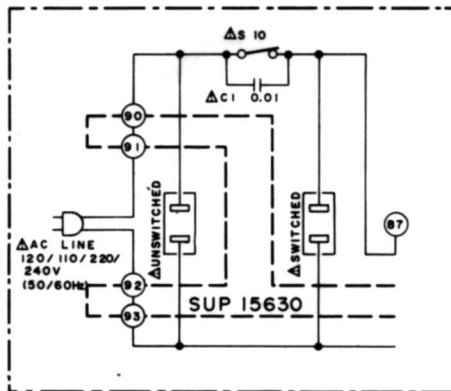
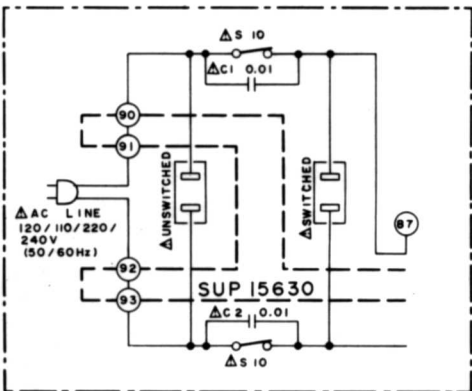


(XAL)

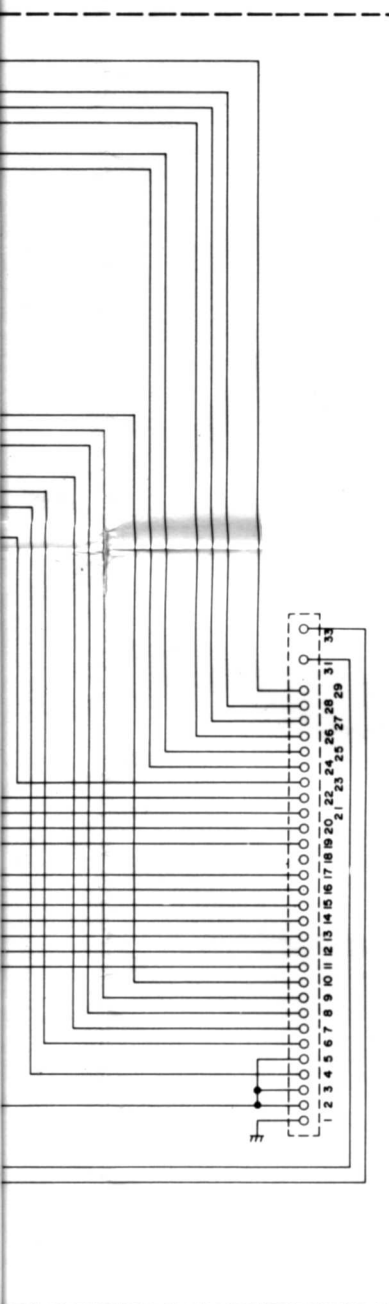


SU-8044 - (E),(XE),(XA),(XAL),  
 (EG),(XGH),(XG)  
 SU-8044K - (E),(XA),(XAL),(XAL)

(XA)



(FE), (ES)



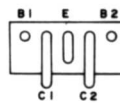
NOTES

- 1, S<sub>1</sub> Input selector switch in "PHONO" position.  
TAPE 2 → TAPE 1 → PHONO → TUNER → AUX
- 2, S<sub>2</sub> Rec selector switch in "OFF" position.  
TAPE 2 1 → TAPE 1 2 → OFF → PHONO → TUNER → AUX
- 3, S<sub>3</sub> High filter switch in "OFF" position.
- 4, S<sub>4</sub> Loudness switch in "OFF" position.
- 5, S<sub>5</sub> Range switch in "x 1" position.  
x 1 → x 0.1
- 6, S<sub>6</sub> Speaker switch in "MAIN" position.  
OFF → MAIN → REMOTE → MAIN + REMOTE
- 7, S<sub>10</sub> Power switch in "ON" position.
- 8, All the resistor otherwise noticed are 1/4W 5%, or 1/8W 5%, carbon film resistars.
- 9, Tolerance  
G ± 2%    J ± 5%    K ± 10%    M ± 20%
- 10, Shorting switch.  
 Nonshorting switch.
- 11, Δ Mark is safety parts. ⊕ Mark is non polar electrolytic.
- 12, DC voltage measurements are taken with DC VTVM from chassis ground.  
 Standard values. ( ) x 0.1
- 13, S<sub>11</sub> Voltage adjustment switch in "240V" position.

BOTTOM VIEW



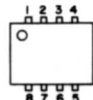
2SA564    2SC1815  
2SA722MS 2SC1885  
2SC628    2SA684NC



2SA798



2SC1913



SVINJM 4559



SVIBA 663



SVISTK 0039N

(A), (XAL), (FE), (ES)  
(XGF), (EB)  
(AL), (EG), (XGH), (EB)