

This file is provided FREE OF CHARGE from the
electromaniacs.com community

You are free to distribute this file to other persons
who needs it , but without of charge

Also on <http://electromaniacs.com> you can find
thousands of service manuals , schematics free of
charge



Service Manual

**20.1" LCD TV
Ver.3 (May. 2003)**

**Chassis no. SL-110P
Model no. DSL-20D1T**

CONTENTS

SAFETY NOTICE.....	2
SPECIFICATIONS.....	3
-Key parts	
-Channel table	
-CNI code	
-SCART connector	
-S-Video connector	
ALIGNMENT INSTRUCTION.....	15
-Service mode	
-Factory mode	
BLOCK DIAGRAM.....	18
SCHEMATIC DIAGRAM.....	19
MECHANICAL EXPLODED VIEW & PARTS LIST.....	23
WIRING DIAGRM.....	24
ELECTRICAL PARTS LIST.....	25

SAFETY NOTICE

WARNING: Only competent service personnel may carry out work involving the testing or repair of this equipment.

This receiver must operate under AC 100-240 volts, 50/60Hz.
Never connect to a DC supply of any other voltage or frequency.

Potential high voltages are present when this receiver is operating.
Operation of the receiver outside the cabinet or with the back cover removed involves a shock hazard from the receiver.
Servicing should not be attempted by anyone who is not thoroughly familiar with the precautions necessary when working on high voltage equipment.

Keep wires away from high voltage or high temperature component.

When replacing a high wattage resistor (oxide metal film resistor) in circuit board, keep the resistor body 10mm away from the circuit board.

Many electrical and mechanical parts in this equipment have special safety-related characteristics.

Replacement parts which have such features are identified by designated symbol on the parts list.

Before replacing any of these components, read the parts list carefully.

If the fuse is blown, replace it with the fuse specified in the Parts List.

SPECIFICATIONS

- Key parts

	Device	Use	Remark
1	LC201V1-A3 [LG Philips LCD]	20.1" TFT LCD panel	
2	TCPQ9091PD27E [SEM]	Tuner with IF	
3	PW164B [Pixelworks]	Image processor + u-Controller	
4	DS1817-10 [Dallas]	Reset (PW164B, SAA5264)	
5	8Mbits	Flash ROM	
6	24C16 (16Kbits)	EEPROM	
7	FSTD3306	Level shifter (I2C bus line)	
8	74LVC541	Buffer/Driver (Local key control)	
9	VPC3230D [Micronas]	Video processing	
10	SDA9400 [Micronas]	SRC	Option
11	MSP3410G [Micronas]	Sound processing	
12	TDA8944J [Philips]	Audio Amp.	
13	SAA5264 [Philips]	Teletext	Option
14	IRF7314 [IR]	MOSFET (LCD panel Vcc on/off)	
15	LA7217 [Sanyo]	Sync. detect	

-Channel table

CH	CCIR	GB	OIRT	Ireland	France	Australia	China
C00						46.25	
C01			49.75	45.75	47.75	57.25	49.75
C02	48.25		59.25	53.75	55.75	64.25	57.75
C03	55.25		77.25	61.75	60.5	86.25	65.75
C04	62.25		85.25	175.25	63.75	95.25	77.25
C05	175.25		93.25	183.25	176	102.25	85.25
C06	182.25		175.25	191.25	184	138.25	168.25
C07	189.25		183.25	199.25	192	175.25	176.25
C08	196.25		191.25	207.25	200	182.25	184.25
C09	203.25		199.25	215.25	208	189.25	192.25
C10	210.25		207.25	223.25	216	196.25	200.25
C11	217.25		215.25	231.25	189.25	209.25	208.25
C12	224.25		223.25	239.25	69.25	216.25	216.25
C13	82.25			247.25	76.25		471.25
C14				49.75	83.25		479.25
C15				57.75	90.25		487.25
C16				65.75	97.25		495.25
C17				77.75			503.25
C18				85.75			511.25
C19							519.25
C20							527.25
C21	471.25	←	←	←	←	←	535.25
C22	479.25	←	←	←	←	←	543.25
C23	487.25	←	←	←	←	←	551.25
C24	495.25	←	←	←	←	←	559.25
C25	503.25	←	←	←	←	←	607.25
C26	511.25	←	←	←	←	←	615.25
C27	519.25	←	←	←	←	←	623.25
C28	527.25	←	←	←	←	←	631.25
C29	535.25	←	←	←	←	534.25	639.25
C30	543.25	←	←	←	←	541.25	647.25
C31	551.25	←	←	←	←	548.25	655.25
C32	559.25	←	←	←	←	555.25	663.25
C33	567.25	←	←	←	←	562.25	671.25
C34	575.25	←	←	←	←	569.25	679.25
C35	583.25	←	←	←	←	576.25	687.25
C36	591.25	←	←	←	←	583.25	695.25
C37	599.25	←	←	←	←	590.25	703.25
C38	607.25	←	←	←	←	597.25	711.25
C39	615.25	←	←	←	←	604.25	719.25
C40	623.25	←	←	←	←	611.25	727.25
C41	631.25	←	←	←	←	618.25	735.25
C42	639.25	←	←	←	←	625.25	743.25
C43	647.25	←	←	←	←	632.25	751.25
C44	655.25	←	←	←	←	639.25	759.25
C45	663.25	←	←	←	←	646.25	767.25
C46	671.25	←	←	←	←	653.25	775.25
C47	679.25	←	←	←	←	660.25	783.25
C48	687.25	←	←	←	←	667.25	791.25
C49	695.25	←	←	←	←	674.25	799.25
C50	703.25	←	←	←	←	681.25	807.25
C51	711.25	←	←	←	←	688.25	815.25
C52	719.25	←	←	←	←	695.25	823.25
C53	727.25	←	←	←	←	702.25	831.25
C54	735.25	←	←	←	←	709.25	839.25
C55	743.25	←	←	←	←	716.25	847.25
C56	751.25	←	←	←	←	723.25	855.25
C57	759.25	←	←	←	←	730.25	863.25
C58	767.25	←	←	←	←	737.25	871.25
C59	775.25	←	←	←	←	744.25	879.25

CH	CCIR	GB	OIRT	Ireland	France	Australia	China
C60	783.25	←	←	←	←	751.25	887.25
C61	791.25	←	←	←	←	758.25	895.25
C62	799.25	←	←	←	←	765.25	903.25
C63	807.25	←	←	←	←	772.25	911.25
C64	815.25	←	←	←	←	779.25	919.25
C65	823.25	←	←	←	←	786.25	927.25
C66	831.25	←	←	←	←	793.25	935.25
C67	839.25	←	←	←	←	800.25	943.25
C68	847.25	←	←	←	←	807.25	951.25
C69	855.25	←	←	←	←	814.25	
C70	863.25						
C71	69.25						
C72	76.25						
C73	83.25						
C74	90.25						
C75	97.25						
C76	59.25						
C77	93.25						
S01	105.25		105.25	103.25	104.75		112.25
S02	112.25		112.25	111.25	116.75		120.25
S03	119.25		119.25	119.25	128.75		128.25
S04	126.25		126.25	127.25	140.75		136.25
S05	133.25		133.25	135.25	152.75		144.25
S06	140.25		140.25	143.25	164.75		152.25
S07	147.25		147.25	151.25	176.75		160.25
S08	154.25		154.25	159.25	188.75		224.25
S09	161.25		161.25	167.25	200.75		232.25
S10	168.25		168.25		212.75		240.25
S11	231.25		231.25		224.75		248.25
S12	238.25		238.25		236.75		256.25
S13	245.25		245.25	255.25	248.75		264.25
S14	252.25		252.25	263.25	260.75		272.25
S15	259.25		259.25	271.25	272.75		280.25
S16	266.25		266.25	279.25	284.75		288.25
S17	273.25		273.25	287.25	296.75		296.25
S18	280.25		280.25	295.25	136		304.25
S19	287.25		287.25	303.25	160		312.25
S20	294.25		294.25				320.25
S21	303.25		303.25		←		328.25
S22	311.25		311.25	←	←		336.25
S23	319.25		319.25	←	←		344.25
S24	327.25		327.25	←	←		352.25
S25	335.25		335.25	←	←		360.25
S26	343.25		343.25	←	←		368.25
S27	351.25		351.25	←	←		376.25
S28	359.25		359.25	←	←		384.25
S29	367.25		367.25	←	←		392.25
S30	375.25		375.25	←	←		400.25
S31	383.25		383.25	←	←		408.25
S32	391.25		391.25	←	←		416.25
S33	399.25		399.25	←	←		424.25
S34	407.25		407.25	←	←		432.25
S35	415.25		415.25	←	←		440.25
S36	423.25		423.25	←	←		448.25
S37	431.25		431.25	←	←		456.25
S38	439.25		439.25	←	←		
S39	447.25		447.25	←	←		
S40	455.25		455.25	←	←		
S41	463.25		463.25	←	←		

-CNI code

VPS data

Country	C	NI	Name	Network
	0x0D	0xC1	'A' 'R' 'D'	ARD bundesweit, Erstes Deutsches Fernsehen
	0x0D	0xC4		ARD-TV-Sternpunkt
	0x0D	0xC5		ARD-TV-Sternpunkt-Fehlersieb, interne Störfallkennung
	0x0D	0xC3	'A' 'R' 'Z' 'D'	ARD-ZDF Common program
	0x0D	0xC2	'Z' 'D' 'F'	ZDF bundesweit, Zweites Deutsches Fernsehen
	0x0D	0xE5	'W' 'D' 'R' 'L' '1'	WDR-1 / Regionalprogramm
	0x0D	0xE6	'W' 'D' 'R' 'L' '3'	WDR-3 / landesweit (split at times)
	0x0D	0xE7		WDR-3 / Bielefeld
	0x0D	0xE8		WDR-3 / Dortmund
	0x0D	0xE9		WDR-3 / Düsseldorf
	0x0D	0xEA		WDR-3 / Köln
	0x0D	0xEB		WDR-3 / Münster
	0x0D	0x9A	'R' 'T' 'L'	RTL / Regional
	0x0D	0x9B		RTL / Schleswig-Holstein
	0x0D	0x9C		RTL / Hamburg
	0x0D	0x9D		RTL / Berlin
	0x0D	0x9E		RTL / Niedersachsen
	0x0D	0x9F		RTL / Bremen
	0x0D	0xA0		RTL / Nordrhein-Westfalen
	0x0D	0xA1		RTL / Hessen
	0x0D	0xA2		RTL / Rheinland-Pfalz
	0x0D	0xA3		RTL / Baden-Württemberg
	0x0D	0xA4		RTL / Bayern
	0x0D	0xA5		RTL / Saarland
	0x0D	0xA6		RTL / Sachsen-Anhalt
	0x0D	0xA7		RTL / Mecklenburg-Vorpommern
	0x0D	0xA8		RTL / Sachsen
	0x0D	0xA9		RTL / Thüringen
	0x0D	0xAA		RTL / Brandenburg
	0x0D	0xAB		RTL Plus
	0x0D	0x8F	'R' 'T' 'L' '2'	RTL 2
	0x0D	0x90		RTL 2 / regional
	0x0D	0x95	'S' 'A' 'T' '1'	SAT 1 / Brandenburg
	0x0D	0x96		SAT 1 / Thüringen D96
	0x0D	0x97		SAT 1 / Sachsen
	0x0D	0x98		SAT 1 / Mecklenburg-Vorpommern
	0x0D	0x99		SAT 1 / Sachsen-Anhalt
	0x0D	0xAD		SAT 1 / Regional
	0x0D	0xAE		SAT 1 / Schleswig-Holstein
	0x0D	0xAF		SAT 1 / Hamburg
	0x0D	0xB0		SAT 1 / Berlin
	0x0D	0xB1		SAT 1 Niedersachsen
	0x0D	0xB2		SAT 1 / Bremen
	0x0D	0xB3		SAT 1 Nordrhein-Westfalen
	0x0D	0xB4		SAT 1 / Hessen
	0x0D	0xB5		SAT 1 / Rheinland-Pfalz
	0x0D	0xB6		SAT 1 / Baden-Württemberg

Country	C	NI	Name	Network
	0x0D	0xB7		SAT 1 / Bayern
	0x0D	0xB8		SAT 1 / Saarland
	0x0D	0xB9		SAT 1
	0x0D	0x94	'P' 'R' 'O' '7'	PRO 7
	0x0D	0xAC	'P' 'R' 'E' 'M' '1'	Premiere
	0x0D	0x92	'K' 'A' 'B' '1' '1'	Kabel 1
	0x0D	0xC7	'3' 'S' 'A' 'T'	Satelliten-Programm "3sat" (ARD/ZDF/ORF/SRG common programme)
	0x0D	0xCA	'B' 'R' '1' '1'	BR-1 / Regionalprogramm
	0x0D	0xCB	'B' 'R' '1' '3'	BR-3 / landesweit (split at times)
	0x0D	0xCC		BR-3 / Süd
	0x0D	0xCD		BR-3 / Nord
	0x0D	0xCE	'H' 'R' '1' '1'	HR-1 / Regionalprogramm
	0x0D	0xE0	'S' 'W' '1' '3'	SW 3 (Südwest 3), Verbund 3 Programme SDR, SR, SWF
	0x0D	0xE1		SW 3 / Regionalprogramm Baden-Württemberg
	0x0D	0xE2		SW 3 / Regionalprogramm Saarland
	0x0D	0xE3		SW 3 / Regionalprogramm Baden-Württemberg Süd
	0x0D	0xE4		SW 3 / Regionalprogramm Rheinland-Pfalz
	0x0D	0xDB	'S' 'F' 'B' '1' '1'	SFB-1 / Regionalprogramm
	0x0D	0xDC	'S' 'F' 'B' '1' '3'	SFB-3 (separation from Nord 3)
	0x0D	0xF7	'W' 'D' 'R'	Lokal-Programm WDR-Dortmund
	0x0D	0xF5	'M' 'D' 'R'	MDR / Dresden
	0x0D	0xF9		MDR / Magdeburg
	0x0D	0xFC		MDR / Erfurt
	0x0D	0xF3	'M' 'D' 'R' '1' '1'	MDR-1 / Landesprogramm Sachsen
	0x0D	0xF6		MDR-1 / Landesprogramm Sachsen-Anhalt
	0x0D	0xFA		MDR-1 / Landesprogramm Thüringen
	0x0D	0xFD		MDR-1 / Regionalprogramm
	0x0D	0xF4	'M' 'D' 'R' '1' '3'	MDR-3 / Sachsen
	0x0D	0xF8		MDR-3 / Sachsen-Anhalt
	0x0D	0xFB		MDR-3 / Thüringen
	0x0D	0xFE		MDR-3 / landesweit
	0x0D	0xD9	'R' 'B' '1' '1'	RB-1 / Regionalprogramm
	0x0D	0xDA	'R' 'B' '1' '3'	RB-3 (separation from Nord 3)
	0x0D	0x8E	'V' 'O' 'X'	VOX Fernsehen
	0x0D	0x8C	'N' 'T' 'V'	n-tv
	0x0D	0x91	'E' 'U' 'R' 'S'	Eurosport
	0x0D	0x88	'V' 'I' 'V' 'A'	VIVA
	0x0D	0x89	'V' 'I' 'V' 'A' '2'	VIVA 2
	0x0D	0x85	'A' 'R' 'T' 'E'	Arte
	0x0D	0x8A	'S' 'R' 'T' 'L'	Super RTL
	0x0D	0x8B	'R' 'T' 'L' 'C'	RTL Club
	0x0D	0xBA	'T' 'M' '3'	TM3 Fernsehen
	0x0D	0xC9	'K' 'I' 'N' 'D'	Kinderkanal ARD/ZDF
	0x0D	0xC8	'P' 'H' 'O' 'E' 'N'	Phoenix ARD/ZDF
	0x0D	0xCF	'H' 'E' 'S' 'S' '3'	Hessen 3 / landesweit
	0x0D	0xD0	'N' 'D' 'R' '1' '1'	NDR-1 / Landesprogramm dreiländerweit (split at times)
	0x0D	0xD1		NDR-1 / Landesprogramm Hamburg

Country	C	NI	Name	Network
	0x0D	0xD2		NDR-1 / Landesprogramm Niedersachsen
	0x0D	0xD3		NDR-1 / Landesprogramm Schleswig-Holstein
	0x0D	0xD4	'N' 'O' 'R' 'D' '3'	Nord-3 (common 3 Programme NDR, SFB, RB, split at times)
	0x0D	0xD5	'N' 'D' 'R' 'L' '3'	NDR-3 / dreiländerweit
	0x0D	0xD6		NDR-3 / Hamburg
	0x0D	0xD7		NDR-3 / Niedersachsen
	0x0D	0xD8		NDR-3 / Schleswig-Holstein
	0x0D	0xDD	'S' 'D' 'R' 'W' 'F'	SDR-1 + SWF-1 / Regionalprogramm Baden-Württemberg
	0x0D	0xDE	'S' 'W' 'F' 'L' '1'	SWF-1 / Regionalprogramm Rheinland-Pfalz
	0x0D	0xDF	'S' 'R' 'L' '1'	SR-1 / Regionalprogramm
	0x0D	0xEC	'S' 'D' 'R' 'L' '1'	SDR -1 / Regionalprogramm
	0x0D	0xED	'S' 'W' 'L' '3'	SW 3 / Regionalprogramm Baden-Württemberg Nord
	0x0D	0xEE		SW 3 / Regionalprogramm Mannheim
	0x0D	0xEF	'S' 'D' 'R' 'W' 'F'	SDR-1 + SWF-1 / Regionalprogramm Baden Württemb und Rhld-Pfalz
	0x0D	0xF0	'S' 'W' 'F' 'L' '1'	SWF-1 / Regionalprogramm
	0x0D	0xF1	'N' 'D' 'R' 'L' '1'	NDR-1 / Landesprogramm Mecklenburg-Vorpommern
	0x0D	0xF2	'N' 'D' 'R' 'L' '3'	NDR-3 / Mecklenburg-Vorpommern
	0x0D	0x81	'O' 'R' 'B' 'L' '1'	ORB-1 / Regionalprogramm
	0x0D	0x82	'O' 'R' 'B' 'L' '3'	ORB-3 / landesweit
	0x0D	0x87	'1' 'A'	1A-Fernsehen
	0x0D	0x8D	'D' 'S' 'F'	Deutsches Sportfernsehen
	0x0D	0xBB	'D' 'W' 'T' 'V'	Deutsche Welle Fernsehen Berlin
	0x0D	0xBD	'O' 'L' 'K' 'A' 'N'	Berlin-Offener Kanal
	0x0D	0xBE	'B' 'M' 'I' 'X' '2'	Berlin-Mix-Channel II
	0x0D	0xBF	'B' 'M' 'I' 'X' '1'	Berlin-Mix-Channel 1
	0x0D	0x41	'F' 'E' 'S' 'T' 'L'	FESTIVAL
	0x0D	0x42	'M' 'U' 'X' 'X'	MUXX
	0x0D	0x43	'E' 'X' 'T' 'R' 'A'	EXTRA
	0x0D	0x7C	'O' 'N' 'Y' 'X'	ONYX-TV
	0x0D	0x7D	'Q' 'V' 'C'	QVC-Teleshopping
	0x0D	0x7E	'O' 'D' 'E' 'O' 'N'	Nickelodeon
	0x0D	0x7F	'H' 'O' 'P'	Home Shopping Europe
Switzerland	0x04	0xC1	'S' 'F' '1'	SRG, Schweizer Fernsehen DRS, SF 1
	0x04	0xC2	'T' 'S' 'R' '1'	SSR, Télévision Suisse Romande, TSR 1
	0x04	0xC3	'T' 'S' 'I' '1'	SSR, Televisione svizzera di lingua italiana, TSI 1
	0x04	0xC7	'S' 'F' '2'	SRG, Schweizer Fernsehen DRS, SF 2
	0x04	0xC8	'T' 'S' 'R' '2'	SSR, Télévision Suisse Romande, TSR 2
	0x04	0xC9	'T' 'S' 'I' '2'	SSR, Televisione svizzera di lingua italiana, TSI 2
	0x04	0xCA	'S' 'R' 'G' 'S' 'A'	SRG SSR Sat Access
	0x04	0x81	'T' 'E' 'L' '2' '4'	TeleZüri
	0x04	0x82	'T' 'C'	Teleclub Abonnements-Fernsehen
	0x04	0x84	'T' 'E' 'L' 'B' 'E'	TeleBern
	0x04	0x85	'T' 'E' 'L' 'M' '1'	Tele M1
	0x04	0x86	'S' 'T' 'A' 'R'	Star TV
	0x04	0x87	'P' 'R' 'O' '7'	Pro 7
	0x04	0x88	'T' 'O' 'P' 'T' 'V'	TopTV

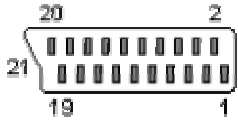
Country	8/30 format 1	8/30 format 2	Name	Network
	0xFA 0x6F	0x2C 0x2F		/* BBC1 Wales - old code */
	0x44 0x40	0x2C 0x40	'B' 'B' 'C' '2'	BBC2
	0x44 0x7E	0x2C 0x7E		BBC2 NI
	0x44 0x44	0x2C 0x44		BBC1 Scotland
	0x44 0x42	0x2C 0x42		BBC1 Wales
	0xA2 0xFE	0x2C 0x3E		/* BBC2 - old code */
	0xC8 0xDE	0x2C 0x1E	'I' 'T' 'V'	ITV NETWORK
	0xFB 0x9C	0x2C 0x1C		ANGLIA TV
	0xB7 0xF7	0x2C 0x27		BORDER TV
	0xFC 0xE4	0x2C 0x24		CHANNEL TV
	0x25 0xD0	0x2C 0x30		WEST COUNTRY TV
	0xAD 0xD8	0x2C 0x18		GRANADA TV
	0xF3 0x3A	0x2C 0x3A		GRAMPIAN TV
	0xF9 0xD2	0x2C 0x12		SCOTTISH TV
	0x88 0x4B	0x2C 0x0B		LWT
	0x82 0xDD	0x2C 0x1D		CARLTON TV
	0x10 0xE4	0x2C 0x34		MERIDIAN TV
	0x5A 0xAF	0x2C 0x3F		HTV
	0x2F 0x27	0x2C 0x37		CENTRAL TV
	0xA8 0x2C	0x2C 0x2C		TYNE TEES TV
	0x83 0x3B	0x2C 0x3D		ULSTER TV
	0xFA 0x2C	0x2C 0x2D		YORKSHIRE TV
	0xAD 0xDC	0x5B 0xD2		GMTV
	0xFC 0xD1	0x2C 0x11	'C' 'H' '4'	CHANNEL 4
	0xB4 0xC7	0x2C 0x07		S4C
	0x96 0x02	0x2C 0x02	'C' 'H' '5'	CHANNEL 5 (1)
	0x16 0x09	0x2C 0x09		CHANNEL 5 (2)
	0x28 0xEB	0x2C 0x2B		CHANNEL 5 (3)
	0xC4 0x7B	0x2C 0x3B		CHANNEL 5 (4)
	0xFC 0xFD	0x2C 0x0D	'N' 'E' 'W' 'S'	SKY NEWS
	0x01 0xF2	0x5B 0xF1	'C' 'N' 'N' 'I'	CNNI
	0x37 0xE5	0x2C 0x25	'S' 'S' 'V' 'C'	SSVC
	0x44 0x01	0x5B 0xFA	'G' 'O' 'L' 'D'	UK GOLD
	0x44 0x02	0x2C 0x01	'L' 'I' 'V' 'N' 'G'	UK LIVING
	0x4D 0x58	0x2C 0x20	'V' 'H' '1'	VH-1
	0x4D 0x59	0x2C 0x21	'V' 'H' '1'	VH-1 (German Language)
	0x44 0x03	0x2C 0x3C	'W' 'I' 'R' 'E'	WIRE TV
	0x44 0x04	0x5B 0xF0	'T' 'C' 'C'	CHILDREN'S CH
	0x44 0x05	0x5B 0xEF	'B' 'R' 'A' 'V' 'O'	BRAVO
	0x44 0x06	0x5B 0xF7	'L' 'E' 'A' 'R' 'N'	LEARNING CH
	0x44 0x07	0x5B 0xF2	'D' 'I' 'S' 'C' 'O' 'V' 'E' 'R' 'Y'	DISCOVERY
	0x44 0x08	0x5B 0xF3	'T' 'F' 'C'	FAMILY CH
	0x44 0x09	0x5B 0xF8	'L' 'I' 'V' 'E'	Live TV
	0xC4 0xF4	0x42 0xF4	'F' 'I' 'L' 'M' '4'	FilmFour
	0x44 0x57	0x2C 0x57	'W' 'O' 'R' 'L' 'D'	BBC WORLD
	0x44 0x68	0x2C 0x68	'P' 'R' 'I' 'M' 'E'	BBC Prime

Country	8/30 format 1	8/30 format 2	Name	Network
	0x44 0x69	0x2C 0x69	'N' 'E' 'W' '2' '4'	BBC News 24
	0x44 0xC1		'T' 'N' 'T'	TNT/Cartoon Network
	0x44 0xD1	0x5B 0xCC	'D' 'I' 'S' 'N' 'Y'	DISNEY CHANNEL UK
	0x4D 0x54	0x2C 0x14	'M' 'T' 'V'	MTV
	0x4D 0x5A	0x5B 0xF4	'P' 'L' 'U' 'S'	GRANADA PLUS
	0x4D 0x5B	0x5B 0xF5	'T' 'I' 'M' 'E'	GRANADA Timeshare
	0x5C 0x44		'Q' 'V' 'C'	QVC UK
	0x82 0xE1	0x2C 0x05	'S' 'E' 'L' '.'	CARLTON SELECT
	0x8E 0x71	0x2C 0x31	'N' 'B' 'C'	NBC Europe
	0xA4 0x60		'N' 'I' 'C' 'K' '.'	NICKELODEON UK
	0xA4 0x65		'P' 'A' 'R' 'A' 'M'	
	0xFC 0xF3	0x2C 0x13	'R' 'A' 'C' 'E'	RACING CH
	0xFC 0xF4	0x5B 0xF6	'H' 'I' 'S' 'T' '.'	HISTORY CH
	0xFC 0xF5	0x2C 0x15	'S' 'C' 'I' 'F' 'I'	SCI FI CHANNEL
	0xFC 0xF6	0x5B 0xF9	'T' 'R' 'A' 'V' '.'	SKY TRAVEL
	0xFC 0xF7	0x2C 0x17	'S' 'O' 'A' 'P' 'S'	SKY SOAPS
	0xFC 0xF8	0x2C 0x08	'S' 'P' 'O' 'R' 'T' '2'	SKY SPORT2
	0xFC 0xF9	0x2C 0x19	'G' 'O' 'L' 'D'	SKY GOLD
	0xFC 0xFA	0x2C 0x1A	'S' 'P' 'O' 'R' 'T'	SKY SPORTS
	0xFC 0xFB	0x2C 0x1B	'M' 'O' 'V' 'I' 'E'	MOVIE CHANNEL
	0xFC 0xFC	0x2C 0x0C	'P' 'L' 'U' 'S'	SKY MOVIES PLUS
	0xFC 0xFE	0x2C 0x0E	'S' 'K' 'Y' '1'	SKY ONE
	0xFC 0xFF	0x2C 0x0F	'S' 'K' 'Y' '2'	SKY TWO
Italy	0x39 0x01		'R' 'A' 'I' '1'	RAI 1
	0x39 0x02		'R' 'A' 'I' '2'	RAI 2
	0x39 0x03		'R' 'A' 'I' '3'	RAI 3
	0xFA 0x04		'R' 'E' 'T' 'E' '4'	RETE 4
	0x39 0x04		'R' 'E' 'T' 'E' 'A'	RETE A
	0xFA 0x05		'C' 'A' 'N' '5'	CANALE 5
	0xFA 0x06		'I' 'T' 'A' '1'	ITALIA 1
	0xFA 0x08		'T' 'M' 'C'	TMC
	0x39 0x97		'T' 'E' 'L' '1'	TELE+1
	0x39 0x98		'T' 'E' 'L' '2'	TELE+2
	0x39 0x99		'T' 'E' 'L' '3'	TELE+3
	0x39 0x10		'T' 'R' 'S' 'T' 'V'	TRS TV
	0x39 0x0A		'A' 'R' 'T' 'E'	Arte
	0x39 0x38		'R' 'T' 'V' '3' '8'	RTV 38
Spain	0x3E 0x00		'T' 'V' 'E' '1'	TVE1
	0xE1 0x00		'T' 'V' 'E' '2'	TVE2
	0xCA 0x03		'T' 'V' '3'	TV3
	0xBA 0x01		'E' 'T' 'B' '1'	ETB1
	0x34 0x02		'E' 'T' 'B' '2'	ETB2
	0xCA 0x33		'C' '3' '3'	C33

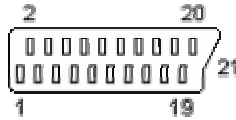
Country	8/30 format 1	8/30 format 2	Name	Network
	0x34 0x0A		'A' 'R' 'T' 'E'	Arte
Belgium	0x32 0x01	0x16 0x01	'B' 'R' 'T' 'N'	BRT TV1
	0x32 0x02	0x16 0x02	'T' 'V' '2'	CANVAS
	0x32 0x03		'R' 'T' 'B' 'F' '1'	RTBF1
	0x32 0x04		'R' 'T' 'B' 'F' '2'	RTBF2
	0x32 0x05	0x16 0x05	'V' 'T' 'M'	VTM
	0x32 0x06	0x16 0x06	'K' 'A' '2'	Kanaal2
	0x04 0x04	0x16 0x04	'V' 'T' '4'	VT 4
Denmark	0x73 0x92	0x29 0x01	'D' 'R' '1'	DR1
	0x49 0xCF	0x29 0x03	'D' 'R' '2'	DR2
	0x45 0x02	0x29 0x02	'T' 'V' '2'	TV2
Finland	0x35 0x81	0x26 0x01	'Y' 'L' 'E' '1'	YLE1
	0x35 0x82	0x26 0x02	'Y' 'L' 'E' '2'	YLE2
	0x35 0x8F	0x26 0x0F	'O' 'W' 'L' '3'	OWL3
Netherlands	0x31 0x01	0x48 0x01	'N' 'E' 'D' '1'	Nederland 1
	0x31 0x02	0x48 0x02	'N' 'E' 'D' '2'	Nederland 2
	0x31 0x03	0x48 0x03	'N' 'E' 'D' '3'	Nederland 3
	0x31 0x04	0x48 0x04	'R' 'T' 'L' '4'	RTL4
	0x31 0x05	0x48 0x05	'R' 'T' 'L' '5'	RTL5
	0x31 0x06	0x48 0x06	'V' 'E' 'R' 'O' 'N'	// Veronica
Norway	0x47 0x01		'N' 'R' 'K' '1'	NRK1
	0x47 0x03		'N' 'R' 'K' '2'	NRK2
	0x47 0x02		'T' 'V' '2'	TV2
	0x47 0x04		'T' 'V' 'N'	TV Norge
Sweden	0x46 0x01	0x4E 0x01	'S' 'V' 'T' '1'	SVT 1
	0x46 0x02	0x4E 0x02	'S' 'V' 'T' '2'	SVT 2
	0x46 0x40	0x4E 0x40	'T' 'V' '4'	TV 4
Poland	0x48 0x01		'T' 'V' 'P' '1'	SVT 1
	0x48 0x02		'T' 'V' 'P' '2'	SVT 2
	0x48 0x10		'T' 'V' 'P' 'O' 'L'	TV Polonia
Hungary	0x36 0x01		'M' 'T' 'V' '1'	MTV1
	0x36 0x11			MTV1 regional, Budapest
	0x36 0x51			MTV1 regional, Debrecen
	0x36 0x61			MTV1 regional, Miskolc
	0x36 0x21			MTV1 regional, Pécs
	0x36 0x31			MTV1 regional, Szeged
	0x36 0x41			MTV1 regional, Szombathely
	0x36 0x02		'M' 'T' 'V' '2'	MTV2

Country	8/30 format 1	8/30 format 2	Name	Network
	0x36 0x36		'D' 'U' 'N' 'A'	// Duna Televizio
	0x36 0x22		'T' 'V' '2'	// tv2
Czech Republic	0x42 0x01	0x32 0xC1	'C' 'T' '1'	CT 1
	0x42 0x31	0x32 0xF1		CT1 Regional
	0x42 0x11	0x32 0xD1		CT1 Regional, Brno
	0x42 0x21	0x32 0xE1		CT1 Regional, Ostravia
	0x42 0x02	0x32 0xC2	'C' 'T' '2'	CT 2
	0x42 0x32	0x32 0xF2		CT2 Regional
	0x42 0x12	0x32 0xD2		CT2 Regional, Brno
	0x42 0x22	0x32 0xE2		CT2 Regional, Ostravia
	0x42 0x03	0x32 0xC3	'N' 'O' 'V' 'A'	NOVA TV
Ireland	0x35 0x31	0x42 0x01	'R' 'T' 'E' '1'	RTE1
	0x35 0x32	0x42 0x02	'N' 'E' 'T' '2'	Network 2
	0x35 0x33	0x42 0x03	'T' 'G' '4'	// Teilifis na Gaeilge
	0x35 0x33		'T' 'V' '3'	TV3
Germany	0x49 0x02		'Z' 'D' 'F'	ZDF
	0x49 0x0C		'V' 'O' 'X'	VOX Television
	0x49 0x0A		'A' 'R' 'T' 'E'	Arte
	0x49 0x49		'Q' 'V' 'C'	QVC D GmbH
	0x49 0xE4		'W' 'D' 'R' '3'	WDR-3
Portugal	0x35 0x10		'R' 'T' 'P' '1'	RTP1
	0x35 0x11		'R' 'T' 'P' '2'	RTP2
	0x35 0x12		'R' 'T' 'P' 'A' 'F'	RTPAF
	0x35 0x14		'R' 'T' 'P' 'A' 'Z'	RTPAZ
	0x35 0x13		'R' 'T' 'P' 'I'	RTPI
	0x35 0x15		'R' 'T' 'P' 'M'	RTPM
Slovakia	0x42 0xA1	0x35 0xA1	'S' 'T' 'V' '1'	STV1
	0x42 0xA3	0x35 0xA3	'S' 'T' 'V' '1'	// STV1 Regional, Košice
	0x42 0xA5	0x35 0xA5		// STV1 Regional, B. Bystrica
	0x42 0xA2	0x35 0xA2	'S' 'T' 'V' '2'	STV2
	0x42 0xA4	0x35 0xA4		// STV2 Regional, Košice
	0x42 0xA6	0x35 0xA6		// STV2 Regional, B. Bystrica
Switzerland	0x41 0x01	0x24 0xC1	'S' 'F' '1'	SF1
	0x41 0x02	0x24 0xC2	'T' 'S' 'R' '1'	SF2
	0x41 0x03	0x24 0xC3	'T' 'S' 'I' '1'	TSI 1
	0x41 0x07	0x24 0xC7	'S' 'F' '2'	SF 2
	0x41 0x08	0x24 0xC8	'T' 'S' 'R' '2'	TSR 2
	0x41 0x09	0x24 0xC9	'T' 'S' 'I' '2'	TSI 2
	0x41 0x0A	0x24 0xCA	'S' 'R' 'G' 'S' 'A'	// SAT ACCESS

- SCART connector



At the TV (Female)



At the cable (Male)

Pin	Description	Signal Level	Impedance
1	Audio Out Right	0.5 V rms	<1k ohm
2	Audio In Right	0.5 V rms	>10k ohm
3	Audio Out Left	0.5 V rms	<1k ohm
4	Audio Ground		
5	RGB Blue Ground		
6	Audio In Left	0.5 V rms	>10k ohm
7	RGB Blue In	0.7 V±3 dB	75 ohm
8	Slow switch In	TV: 0-2 V AV: 4.5-12 V	>10k ohm
9	RGB Green Ground		
10	N.C		
11	RGB Green In	0.7 V±3 dB	75 ohm
12	N.C		
13	RGB Red Ground		
14	RGB status Ground		
15	RGB Red In	0.7 V ±3 dB	75 ohm
16	Blanking Signal (RGB status)	RGB: 1-3 V TV/AV: 0-0.4 V	75 ohm
17	Composite Video Ground (Sync Ground)		
18	Blanking Signal Ground		
19	Composite Video Out	1 V±3 dB	75 ohm
20	Composite Video In (Luminance In)	1 V±3 dB	75 ohm
21	Ground/Shield (Chassis)		

- S-Video connector



At the TV (Female)

Pin	Name	Description
1	GND	Ground (Y)
2	GND	Ground (C)
3	Y	Intensity (Luminance)
4	C	Color (Chrominance)

ALIGNMENT INSTRUCTION

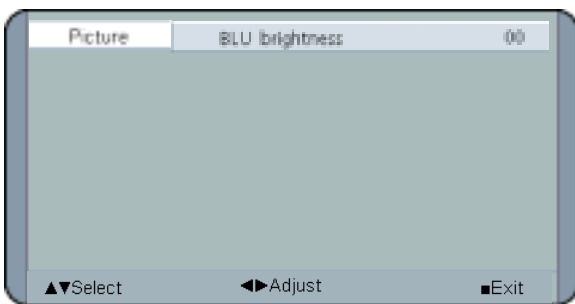
Service Mode

- If you replace the EEPROM by a new (blank) one, the EEPROM data will be initialized as follows;

Item	Default values
BLU brightness	0
Teletext	W-Euro
SCART	Yes

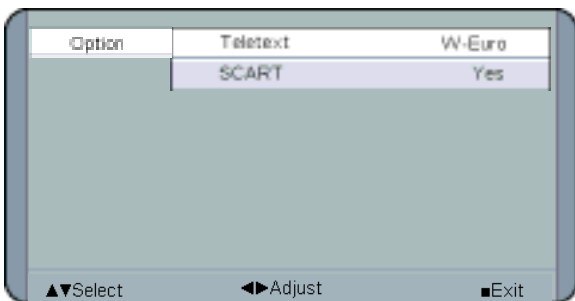
- You can change the values in the Service mode, if necessary.
- To switch the TV set into Service mode, press the **Digit 1 key → Mute key → Status key → Mute key** in sequence within 5 seconds.
In the Service mode, the OSD "Service" will be displayed.
- To exit Service mode, press and hold (for 1.5 second) the **Mute key**.

Digit 4 KEY (Picture adjustment)



1. Press the Digit 4 key to call up the Picture adjustment menu.
2. Set the BLU(back Light Unit) brightness to "0".

Digit 5 key (Option setting)



1. Press the Digit 5 key to call up the Option setting menu.
2. Set the Options as follow;

■ Teletext option

You must select the Teletext language according to your country.
Select one of the following: **W-Euro**, **E-Euro**, **RUS**, **GR-TR**, **Arab**, **No**.

	Teletext language	Area
W-Euro	West European	West/North Europe, Australia, Asia, Africa
E-Euro	East European	East Europe
RUS	Cyrillic	Russia / Bulgaria
GR-TR	Greek/Turkish	Greece/Turkey
Arab	Arabic/French	Middle East/Africa
No	I301 (SAA6264) is not used	Without Teletext

■ SCART option

Choose **Yes** if J503 is SCART connector, and **No** if RCA connector.

	J503 (Connector)	Area
Yes	SCART	Europe, <i>Russia</i>
No	RCA	China, Asia, Middle East, Australia, <i>Africa</i>

Digit 8 key, LEFT + UP + AV key (EEPROM clear)

This key is used to perform control/system lock up reset.

Use this key to clear EEPROM data if TV have malfunctioned, e.g. local control lock up.
Note that the stored data will be erased and initialized to default values after initializing EEPROM.

You can clear EEPROM data by pressing the **LEFT(VOLUME DOWN), (PR) UP and AV key** on the TV set at the same time in the Stand-by mode.

Use this, if you can not switch your TV set on in the Stand-by mode.

Factory Mode

Remark: These modes are used for factory only.

Digit 1 Key (Heat-run & Test pattern mode)

- Pressing this key, the Test pattern will be displayed as follow;
Normal → Red pattern → Green pattern → Blue pattern → White pattern → Normal
- Note that you can exit from this mode with this key only.

Digit 2 key (Picture Control Checking)

- Pressing this key, the Picture control value will be changed in sequence automatically.
Brightness (min max center) → Contrast (min max center) → Colour (min max center) → Sharpness (min max center) → Tint (left right center) → Normal

Digit 3 Key (Sound Control Checking)

- Pressing this key, the Sound control value will be changed in sequence automatically.
Treble (min max center) → Bass (min max center) → Balance (left right center) → Volume (min max center)

Digit 6 key (Outgoing)

- Pressing this key, OSD "Outgoing" will be displayed during initializing the EEPROM data, and then the set will be turned off automatically.

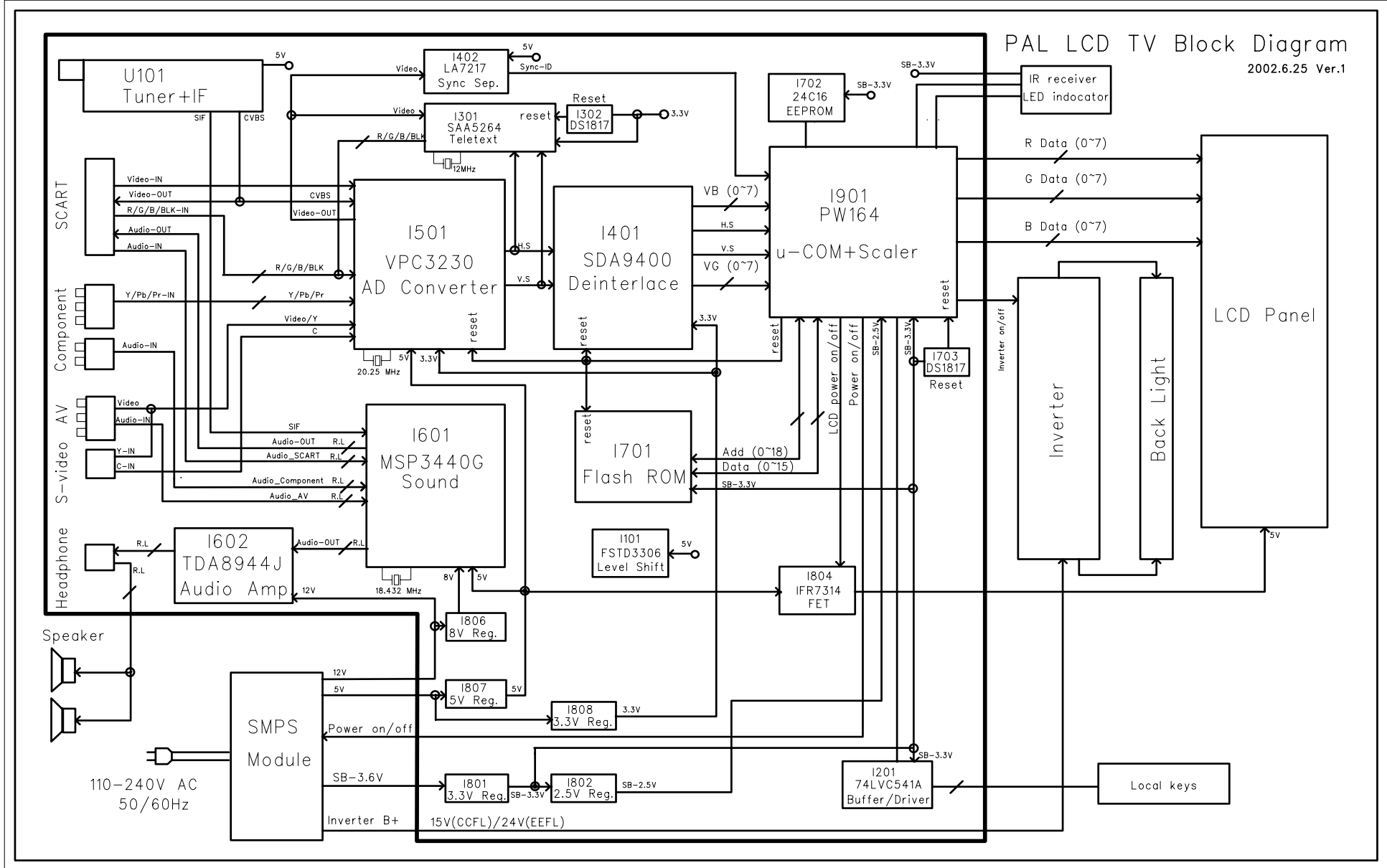
No.	Item	Data	No	Item	Data
1	CH data (PR0-99)	CH52	2	Station Name	- - - - -
3	SKIP (PR2-99)	Yes	4	System	- -
5	Colour	- - -	6	Fine tune	center
7	Bri /Cont/Col/Sharp	Normal	8	Treble/Bass/Balance	Center
9	Sound Spatial	No	10	Sound Forced Mono	Off
11	Volume	30/100	12	Child lock	No
13	OSD	Opaque	14	Language	English
15	TV shape	4:3			

- When you turn on the TV set for the first time, the **Language** menu for the on-screen display appears.

BLOCK DIAGRAM

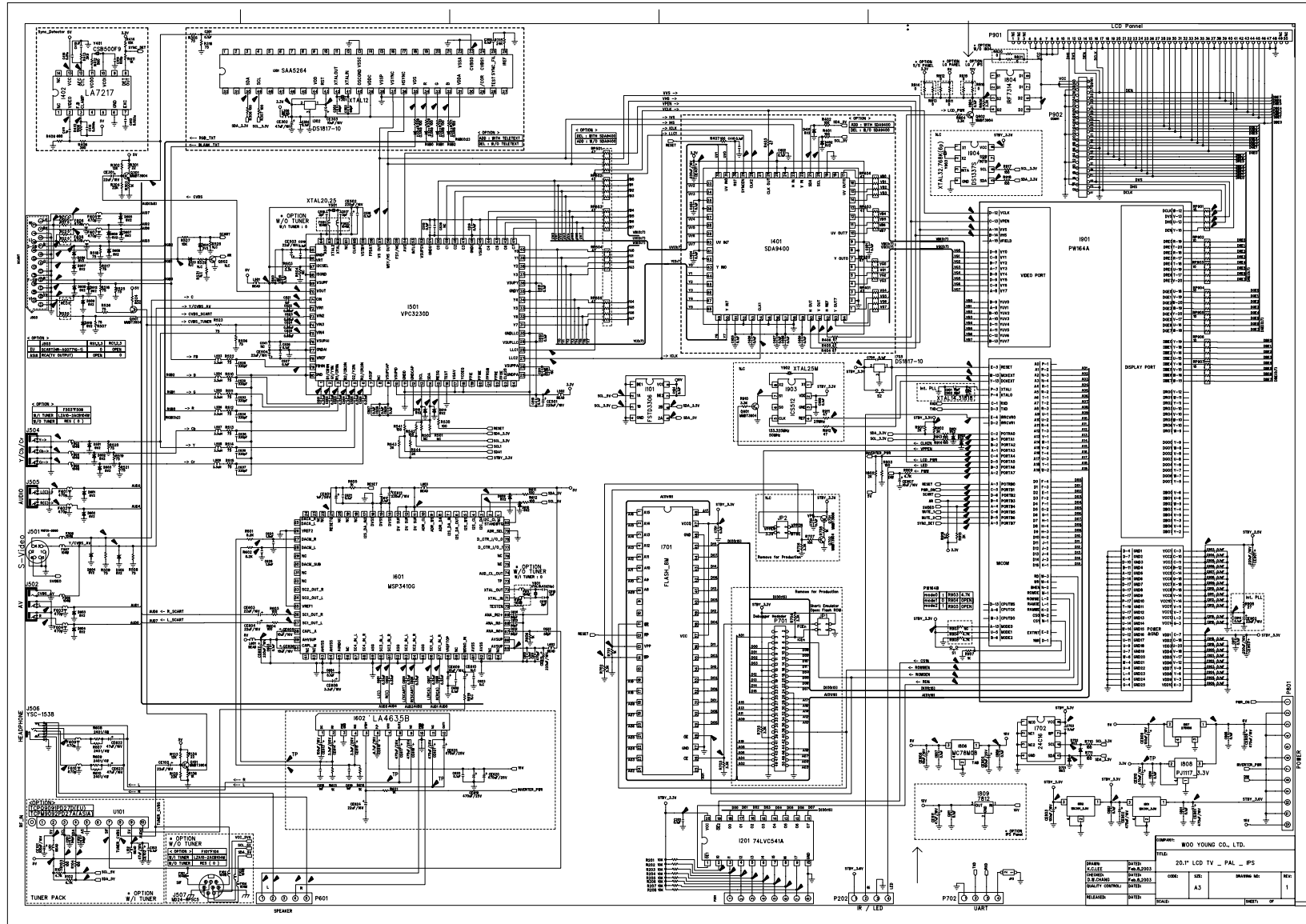
PAL LCD TV Block Diagram

2002.6.25 Ver.1



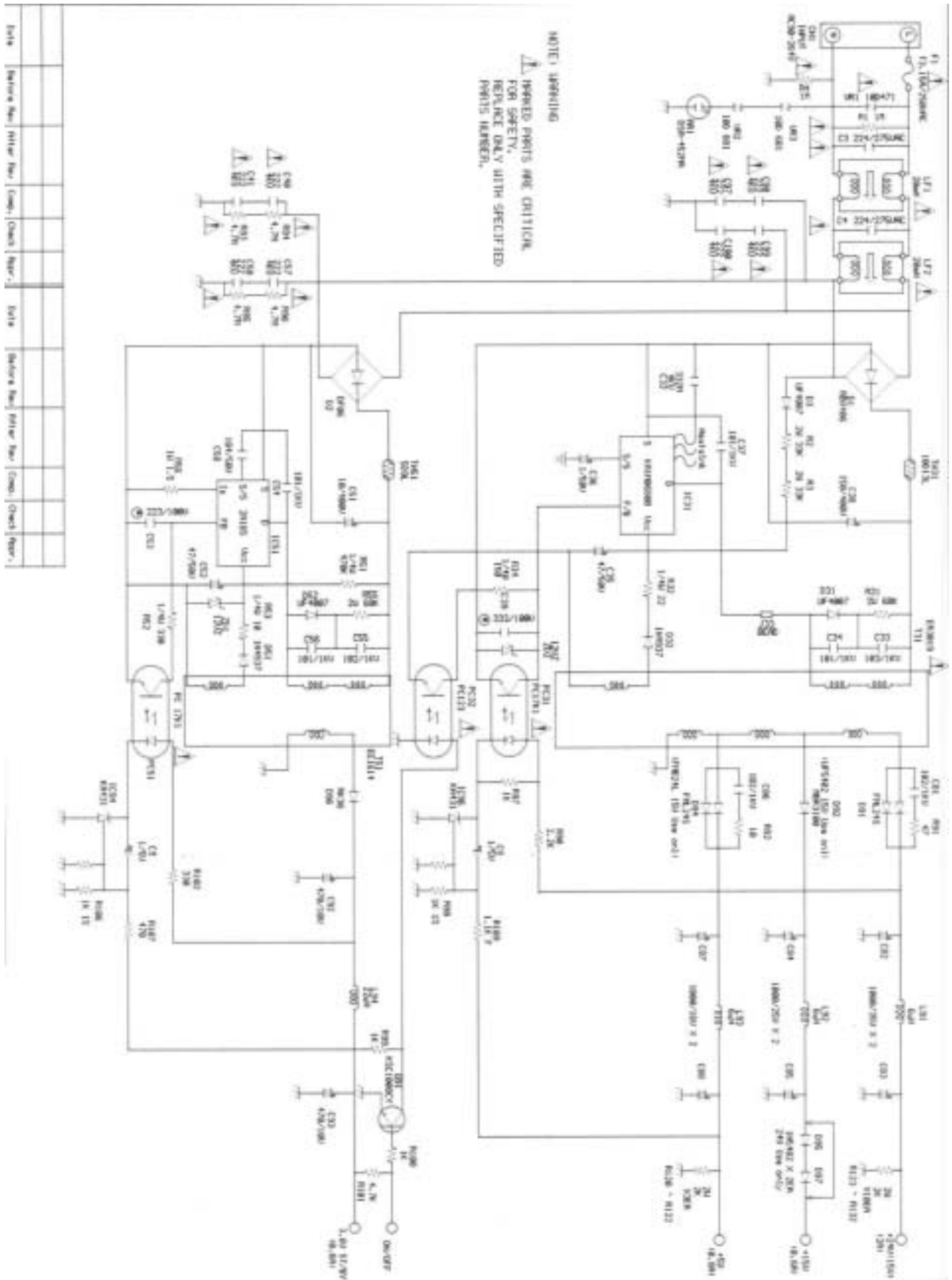
SCHEMATIC DIAGRAM

Main Board



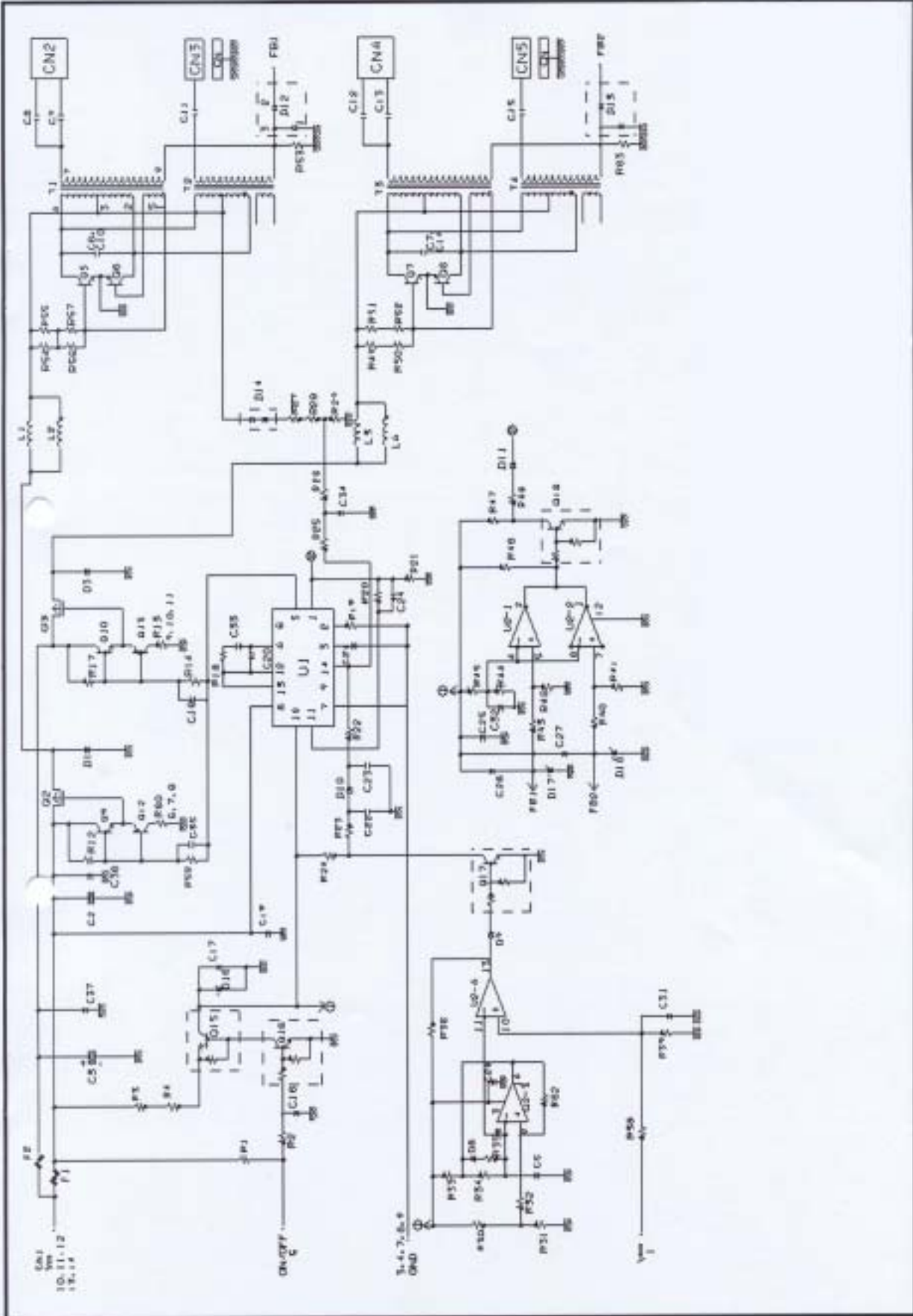
SCHEMATIC DIAGRAM

Power board



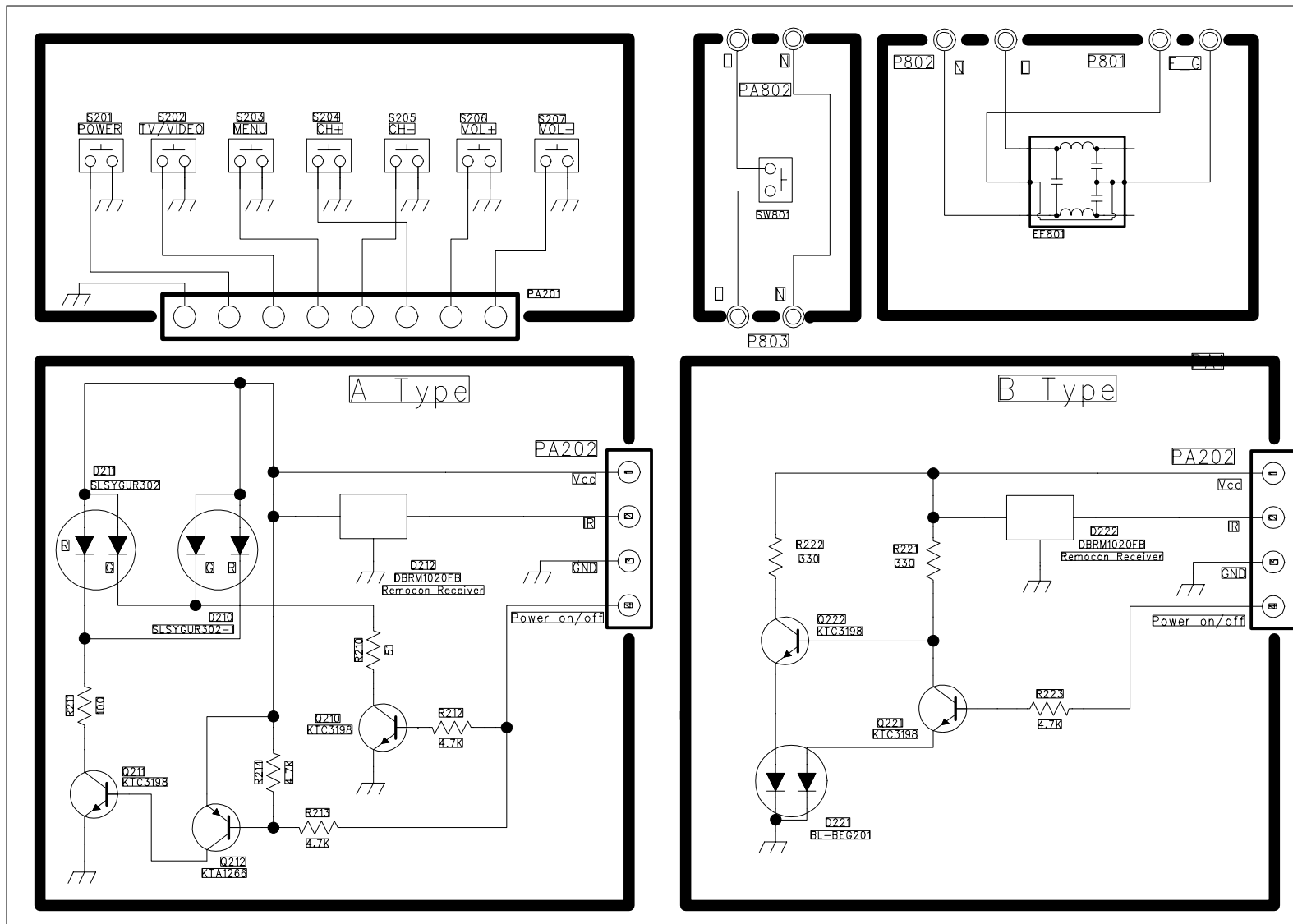
101	102	103	104	105	106	107	108	109	110	111	112	113	114	115	116	117	118	119	120	121	122	123	124	125	126	127	128	129	130	131	132	133	134	135	136	137	138	139	140	141	142	143	144	145	146	147	148	149	150	151	152	153	154	155	156	157	158	159	160	161	162	163	164	165	166	167	168	169	170	171	172	173	174	175	176	177	178	179	180	181	182	183	184	185	186	187	188	189	190	191	192	193	194	195	196	197	198	199	200
-----	-----	-----	-----	-----	-----	-----	-----	-----	-----	-----	-----	-----	-----	-----	-----	-----	-----	-----	-----	-----	-----	-----	-----	-----	-----	-----	-----	-----	-----	-----	-----	-----	-----	-----	-----	-----	-----	-----	-----	-----	-----	-----	-----	-----	-----	-----	-----	-----	-----	-----	-----	-----	-----	-----	-----	-----	-----	-----	-----	-----	-----	-----	-----	-----	-----	-----	-----	-----	-----	-----	-----	-----	-----	-----	-----	-----	-----	-----	-----	-----	-----	-----	-----	-----	-----	-----	-----	-----	-----	-----	-----	-----	-----	-----	-----	-----	-----	-----	-----

SCHEMATIC DIAGRAM Inverter (CCFL)

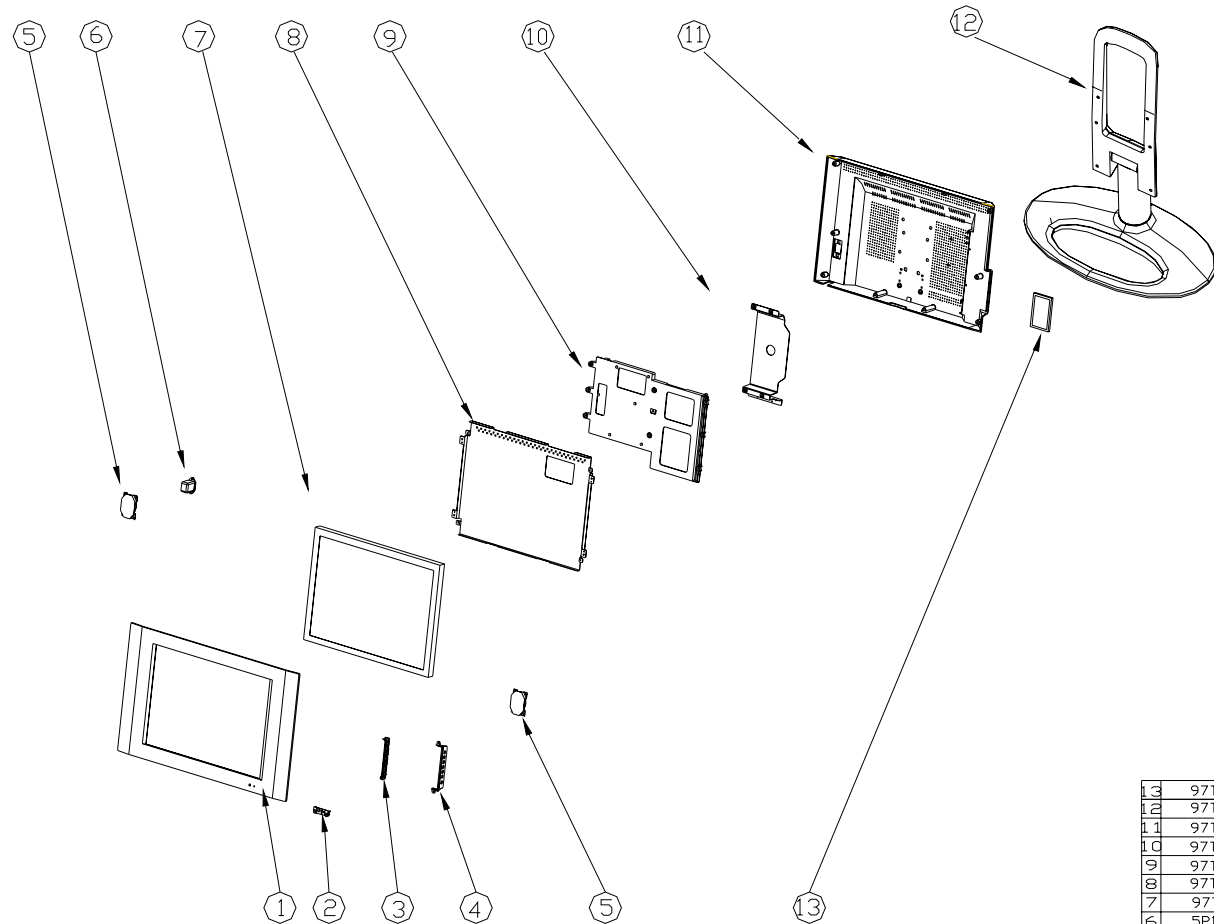


SCHEMATIC DIAGRAM

Sub board

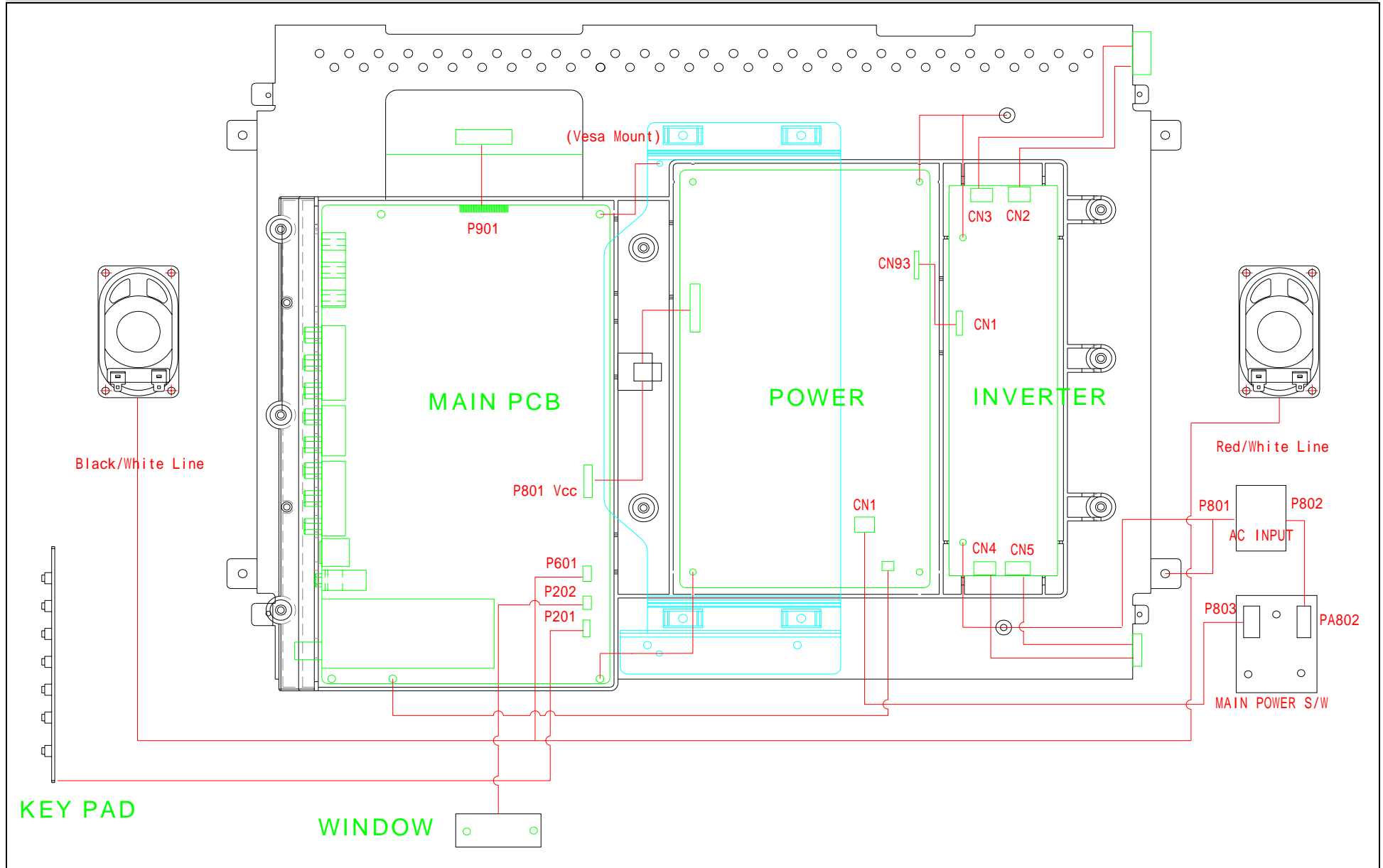


MECHANICAL EXPLODED VIEW & PARTS LIST



13	97T23001	TUNER	1	ASSY	
12	97T37003	STAND ASSY	1	ASSY	DWE 20'
11	97T24001	BACK COVER	1	FR-ABS	
10	97T20001	MOUNT VESA	1	FR-ABS	
9	97T15001	PCB FRAME	1	FR-ABS	
8	97T19001	BRKT LCD	1	EGI T=1.2	
7	97T0L201V3	LCD MODULE	1		
6	5PIG-0242P	AC SOCKET	1		
5	97T0Z08031	SPEAKER	2		
4	97T14001	BRKT BUTTON	1	FR-ABS	
3	97T13001	BUTTON TACT	1	FR-ABS	
2	97T11002	LCD SENSOR HOLDER	1	PMMA	
1	97T21003	COVER FRONT	1	FR-ABS	'C' Design
NO	PART CODE	PART NAME	QTY	MATERIAL	REMARKS

WIRING DIAGRAM



ELECTRICAL PARTS LIST

Caution: ⚠ is safety component, so it must be used the same component.

Ⓜ is recommendable part for stock.

Main Board

No	Part No	Name	Desc	Remark
1	C101	C CHIP CERA	25V X7R 56PF J 1608	
2	C102	C CHIP CERA	25V X7R 56PF J 1608	
3	C103	C CHIP CERA	25V Y5V 0.1uF Z 1608	
4	C104	C CHIP CERA	25V Y5V 0.1uF Z 1608	
5	C201	C CHIP CERA	25V Y5V 0.1uF Z 1608	
6	C301	C CHIP CERA	25V Y5V 0.1uF Z 1608	
7	C302	C CHIP CERA	25V X7R 56PF J 1608	
8	C303	C CHIP CERA	25V X7R 56PF J 1608	
9	C304	C CHIP CERA	25V Y5V 0.1uF Z 1608	
10	C305	C CHIP CERA	25V Y5V 0.1uF Z 1608	
11	C411	C CHIP CERA	10V Y5V 1uF Z 1608	
12	C412	C CHIP CERA	25V Y5V 0.056uF Z 1608	
13	C413	C CHIP CERA	25V Y5V 0.022uF Z 1608	
14	C414	C CHIP CERA	25V X7R 820PF K 1608	
15	C415	C CHIP CERA	10V Y5V 1uF Z 1608	
16	C416	C CHIP CERA	25V Y5V 0.01uF Z 1608	
17	C501	C CHIP CERA	25V Y5V 0.22uF Z 1608	
18	C502	C CHIP CERA	25V Y5V 0.22uF Z 1608	
19	C503	C CHIP CERA	25V Y5V 0.22uF Z 1608	
20	C504	C CHIP CERA	25V Y5V 0.22uF Z 1608	
21	C505	C CHIP CERA	25V Y5V 0.22uF Z 1608	
22	C506	C CHIP CERA	25V Y5V 0.22uF Z 1608	
23	C507	C CHIP CERA	25V Y5V 0.1uF Z 1608	
24	C508	C CHIP CERA	25V Y5V 0.1uF Z 1608	
25	C509	C CHIP CERA	25V Y5V 0.1uF Z 1608	
26	C510	C CHIP CERA	25V Y5V 0.1uF Z 1608	
27	C511	C CHIP CERA	25V Y5V 0.1uF Z 1608	
28	C512	C CHIP CERA	25V Y5V 0.1uF Z 1608	
29	C513	C CHIP CERA	25V Y5V 0.1uF Z 1608	
30	C514	C CHIP CERA	25V Y5V 0.1uF Z 1608	
31	C515	C CHIP CERA	25V Y5V 0.1uF Z 1608	
32	C516	C CHIP CERA	25V Y5V 0.1uF Z 1608	
33	C517	C CHIP CERA	25V NPO 3PF C 1608	
34	C518	C CHIP CERA	25V NPO 3PF C 1608	
35	C519	C CHIP CERA	25V Y5V 0.1uF Z 1608	
36	C520	C CHIP CERA	25V Y5V 0.1uF Z 1608	
37	C521	C CHIP CERA	25V X7R 0.001UF K 1608	
38	C522	C CHIP CERA	10V Y5V 0.68uF Z 1608	
39	C523	C CHIP CERA	10V Y5V 0.68uF Z 1608	
40	C524	C CHIP CERA	10V Y5V 0.68uF Z 1608	
41	C525	C CHIP CERA	10V Y5V 0.68uF Z 1608	
42	C526	C CHIP CERA	25V Y5V 0.1uF Z 1608	

No	Part No	Name	Desc	Remark
43	C527	C CHIP CERA	25V Y5V 0.1uF Z 1608	
44	C528	C CHIP CERA	25V X7R 330PF J 1608	
45	C532	C CHIP CERA	25V X7R 330PF J 1608	
46	C533	C CHIP CERA	25V X7R 330PF J 1608	
47	C534	C CHIP CERA	25V X7R 330PF J 1608	
48	C535	C CHIP CERA	25V X7R 330PF J 1608	
49	C536	C CHIP CERA	25V X7R 330PF J 1608	
50	C537	C CHIP CERA	25V X7R 330PF J 1608	
51	C601	C CHIP CERA	16V Y5V 0.33uF Z 1608	
52	C602	C CHIP CERA	16V Y5V 0.33uF Z 1608	
53	C603	C CHIP CERA	25V Y5V 0.1uF Z 1608	
54	C604	C CHIP CERA	25V Y5V 0.1uF Z 1608	
55	C605	C CHIP CERA	16V Y5V 0.33uF Z 1608	
56	C606	C CHIP CERA	16V Y5V 0.33uF Z 1608	
57	C607	C CHIP CERA	16V Y5V 0.33uF Z 1608	
58	C608	C CHIP CERA	16V Y5V 0.33uF Z 1608	
59	C609	C CHIP CERA	25V Y5V 0.1uF Z 1608	
60	C610	C CHIP CERA	25V X7R 1500PF K 1608	
61	C611	C CHIP CERA	25V X7R 470PF J 1608	
62	C612	C CHIP CERA	25V X7R 56PF J 1608	
63	C613	C CHIP CERA	25V X7R 56PF J 1608	
64	C614	C CHIP CERA	25V X7R 56PF J 1608	
65	C615	C CHIP CERA	25V NPO 2PF C 1608	
66	C616	C CHIP CERA	25V NPO 2PF C 1608	
67	C617	C CHIP CERA	25V Y5V 0.1uF Z 1608	
68	C618	C CHIP CERA	25V X7R 0.001UF K 1608	
69	C619	C CHIP CERA	25V X7R 0.001UF K 1608	
70	C620	C CHIP CERA	25V Y5V 0.1uF Z 1608	
71	C621	C CHIP CERA	25V Y5V 0.1uF Z 1608	
72	C622	C CHIP CERA	25V X7R 56PF J 1608	
73	C624	C CHIP CERA	25V X7R 0.0015UF K 1608	
74	C625	C CHIP CERA	25V X7R 0.0015UF K 1608	
75	C630	C CHIP CERA	25V X7R 0.001UF K 1608	
76	C631	C CHIP CERA	25V X7R 0.001UF K 1608	
77	C701	C CHIP CERA	25V Y5V 0.1uF Z 1608	
78	C702	C CHIP CERA	25V Y5V 0.1uF Z 1608	
79	C703	C CHIP CERA	25V Y5V 0.1uF Z 1608	
80	C704	C CHIP CERA	25V Y5V 0.1uF Z 1608	
81	C801	C CHIP CERA	25V Y5V 0.1uF Z 1608	
82	C802	C CHIP CERA	25V Y5V 0.1uF Z 1608	
83	C804	C CHIP CERA	25V Y5V 0.1uF Z 1608	
84	C806	C CHIP CERA	25V Y5V 0.1uF Z 1608	
85	C807	C CHIP CERA	25V Y5V 0.1uF Z 1608	
86	C808	C CHIP CERA	25V Y5V 0.1uF Z 1608	
87	C809	C CHIP CERA	25V Y5V 0.1uF Z 1608	
88	C901	C CHIP CERA	25V NPO 18PF J 1608	

No	Part No	Name	Desc	Remark
89	C902	C CHIP CERA	25V NPO 18PF J 1608	
90	C903	C CHIP CERA	25V Y5V 0.1uF Z 1608	
91	C904	C CHIP CERA	25V Y5V 0.1uF Z 1608	
92	C905	C CHIP CERA	25V Y5V 0.1uF Z 1608	
93	C906	C CHIP CERA	25V Y5V 0.1uF Z 1608	
94	C907	C CHIP CERA	25V Y5V 0.1uF Z 1608	
95	C908	C CHIP CERA	25V Y5V 0.1uF Z 1608	
96	C909	C CHIP CERA	25V Y5V 0.1uF Z 1608	
97	C910	C CHIP CERA	25V Y5V 0.1uF Z 1608	
98	C911	C CHIP CERA	25V Y5V 0.1uF Z 1608	
99	C912	C CHIP CERA	25V Y5V 0.1uF Z 1608	
100	C913	C CHIP CERA	25V Y5V 0.1uF Z 1608	
101	C914	C CHIP CERA	25V Y5V 0.1uF Z 1608	
102	C915	C CHIP CERA	25V Y5V 0.1uF Z 1608	
103	C916	C CHIP CERA	25V Y5V 0.1uF Z 1608	
104	C917	C CHIP CERA	25V Y5V 0.1uF Z 1608	
105	C918	C CHIP CERA	25V Y5V 0.1uF Z 1608	
106	C919	C CHIP CERA	25V Y5V 0.1uF Z 1608	
107	C920	C CHIP CERA	25V Y5V 0.1uF Z 1608	
108	C921	C CHIP CERA	25V Y5V 0.1uF Z 1608	
109	C922	C CHIP CERA	25V Y5V 0.1uF Z 1608	
110	C923	C CHIP CERA	25V Y5V 0.1uF Z 1608	
111	C924	C CHIP CERA	25V Y5V 0.1uF Z 1608	
112	C925	C CHIP CERA	25V Y5V 0.1uF Z 1608	
113	C926	C CHIP CERA	25V Y5V 0.1uF Z 1608	
114	CE101	C CHIP ELECTRO	16V 100uF (6.3X5.5) TP	
115	CE102	C CHIP ELECTRO	16V 47uF (5X5.5) TP	
116	CE103	C CHIP ELECTRO	16V 22uF (4X5.5) TP	
117	CE301	C CHIP ELECTRO	16V 22uF (4X5.5) TP	
118	CE302	C CHIP ELECTRO	16V 47uF (5X5.5) TP	
119	CE303	C CHIP ELECTRO	16V 10uF (4X5.5) TP	
120	CE501	C CHIP ELECTRO	16V 220uF (8X10.5) TP	
121	CE502	C CHIP ELECTRO	16V 220uF (8X10.5) TP	
122	CE503	C CHIP ELECTRO	16V 22uF (4X5.5) TP	
123	CE504	C CHIP ELECTRO	16V 22uF (4X5.5) TP	
124	CE601	C CHIP ELECTRO	50V 1uF (4X5.5) TP	
125	CE603	C CHIP ELECTRO	16V 22uF (4X5.5) TP	
126	CE604	C CHIP ELECTRO	16V 22uF (4X5.5) TP	
127	CE605	C CHIP ELECTRO	16V 10uF (4X5.5) TP	
128	CE606	C CHIP ELECTRO	16V 10uF (4X5.5) TP	
129	CE607	C CHIP ELECTRO	16V 220uF (8X10.5) TP	
130	CE608	C CHIP ELECTRO	50V 3.3uF (4X5.5) TP	
131	CE609	C CHIP ELECTRO	16V 10uF (4X5.5) TP	
132	CE611	C CHIP ELECTRO	16V 220uF (8X10.5) TP	
133	CE612	C CHIP ELECTRO	16V 220uF (8X10.5) TP	
134	CE613	C CHIP ELECTRO	16V 100uF (6.3X5.5) TP	

No	Part No	Name	Desc	Remark
135	CE614	C CHIP ELECTRO	50V 3.3uF (4X5.5) TP	
136	CE615	C CHIP ELECTRO	50V 3.3uF (4X5.5) TP	
137	CE616	C CHIP ELECTRO	16V 4.7uF (4X5.5) TP	
138	CE617	C CHIP ELECTRO	25V 470uF (10X10.5) TP	
139	CE618	C CHIP ELECTRO	25V 470uF (10X10.5) TP	
140	CE619	C CHIP ELECTRO	25V 470uF (10X10.5) TP	
141	CE620	C CHIP ELECTRO	25V 470uF (10X10.5) TP	
142	CE621	C CHIP ELECTRO	25V 470uF (10X10.5) TP	
143	CE622	C CHIP ELECTRO	16V 47uF (5X5.5) TP	
144	CE623	C CHIP ELECTRO	16V 47uF (5X5.5) TP	
145	CE624	C CHIP ELECTRO	16V 22uF (4X5.5) TP	
146	CE625	C CHIP ELECTRO	25V 470uF (10X10.5) TP	
147	CE801	C CHIP ELECTRO	16V 470uF (8X10.5) TP	
148	CE802	C CHIP ELECTRO	16V 470uF (8X10.5) TP	
149	CE803	C CHIP ELECTRO	16V 100uF (6.3X5.5) TP	
150	CE805	C CHIP ELECTRO	25V 100uF (8X10) TP	
151	CE806	C CHIP ELECTRO	16V 10uF (4X5.5) TP	
152	CE808	C CHIP ELECTRO	16V 470uF (8X10.5) TP	
153	CE809	C CHIP ELECTRO	16V 100uF (6.3X5.5) TP	
154	CE810	C CHIP ELECTRO	16V 470uF (8X10.5) TP	
155	CE901	C CHIP ELECTRO	16V 220uF (8X10.5) TP	
156	CE902	C CHIP ELECTRO	16V 22uF (4X5.5) TP	
157	CE903	C CHIP ELECTRO	16V 220uF (8X10.5) TP	
158	CG620	HARNESS ASSY	SH-WOO-02-001 (50MM)	
159	CG621	HARNESS ASSY	SH-WOO-02-001 (80MM)	
160	CG622	HARNESS ASSY	SH-WOO-02-001 (150MM)	
161	D212	PHOTO INTERRUPTER	BRM-1020-FB4.3	
162	D222	DUAL LED	BL-BEG201	
163	D301	CHIP DIODE	EDS914	
164	D302	CHIP DIODE	EDS914	
165	D303	CHIP DIODE	EDS914	
166	D304	CHIP DIODE	EDS914	
167	D521	CHIP DIODE ZENER	ZENER 3.3V	
168	EF801	EMI FILTER	IG-0242-P	
169	EF802	FILTER CLAMP	ZSHT1228-0730T-K	
170	F501	CHIP EMC FILTER	LZA10-2ACB104M	
171	F502	R CHIP	1/10W 0 J 1608	
172	F503	R CHIP	1/10W 0 J 1608	
173	F504	R CHIP	1/10W 0 J 1608	
174	F505	R CHIP	1/10W 0 J 1608	
175	F506	R CHIP	1/10W 0 J 1608	
176	F507	R CHIP	1/10W 0 J 1608	
177	F508	R CHIP	1/10W 0 J 1608	
178	F601	CHIP EMC FILTER	FK2125T-186AL	
179	F602	CHIP EMC FILTER	FK2125T-186AL	
180	F603	CHIP EMC FILTER	FK2125T-186AL	

No	Part No	Name	Desc	Remark
181	F604	CHIP EMC FILTER	FK2125T - 186AL	
182	F605	CHIP EMC FILTER	FK2125T - 186AL	
183	F606	CHIP EMC FILTER	FK2125T - 186AL	
184	F607	CHIP EMC FILTER	FK2125T - 186AL	
185	F608	CHIP EMC FILTER	FK2125T - 186AL	
186	F609	CHIP EMC FILTER	FK2125T - 186AL	
187	F610	CHIP EMC FILTER	FK2125T - 186AL	
188	F611	R CHIP	1/10W 0 J 1608	
189	F612	R CHIP	1/10W 0 J 1608	
190	I101	BUS SWITCH IC	SN74CBTD3306 TSSOP - 8	
191	I201	OCTAL BUFFER	SN74LVC541ADW SOIC - 20	
192	I301	TXT IC	SAA5264	
193	I302	RESET IC	KIA7045	
194	I402	SYNC SEPARATE	LA7217M MFP - 14	
195	I501	AD CONVERTER IC	VPC3230D - QA PQFP - 80	
196	I601	SOUND IC	MSP3410G PQFP - 80	
197	I602	SOUND AMP	LA4635B	
198	I701	8Mbit FLASH	SST39VF800A - 70 - 4C - EK	
199	I702	E2PROM	24C16 SOIC - 8	
200	I703	RESET IC	KIA7045	
201	I801	L.D.O. REGULATOR	MIC39100 - 3.3BS SOT223	
202	I802	L.D.O. REGULATOR	MIC39100 - 2.5BS SOT223	
203	I804	SWITCHING IC	IRF7314	
204	I806	REGULATOR	MC7808	
205	I807	REGULATOR	LIA278R05PI TO - 220F - 4L	
206	I808	VOLTAGE REGULATOR	NCP1117ST33T3 SOT223	
207	I901	IMAGE PROCESSOR	PW164B - 10T 256BGA	
208	IB01	INVERTER ASS'Y	KUBNKM038A	
209	J501	JACK MINIDIN (SVHS)	YKF51 - 5560	
210	J502	PIN JACK	YSC03P - 4120 - 9A, YWR	
211	J503	JACK SCART	HR - AG0771G - 1	
212	J504	PIN JACK	YSC03P - 6720 - 9A, GBR	
213	J505	PIN JACK	YSC - 02P - 1200 - 10A	
214	J506	EARPHONE JACK	YSC - 1538	
215	L101	CHIP COIL BEAD	8 2A 2012	
216	L102	CHIP COIL BEAD	8 2A 2012	
217	L306	CHIP COIL BEAD	8 2A 2012	
218	L501	CHIP COIL BEAD	8 2A 2012	
219	L502	CHIP COIL BEAD	8 2A 2012	
220	L503	WOUND CHIP COIL	LEMC 3225T3R3M	
221	L504	WOUND CHIP COIL	LEMC 3225T3R3M	
222	L505	WOUND CHIP COIL	LEMC 3225T3R3M	
223	L506	WOUND CHIP COIL	LEMC 3225T3R3M	
224	L507	WOUND CHIP COIL	LEMC 3225T3R3M	
225	L508	WOUND CHIP COIL	LEMC 3225T3R3M	
226	L509	WOUND CHIP COIL	LEMC 3225T3R3M	

No	Part No	Name	Desc	Remark
227	L601	CHIP COIL BEAD	8 2A 2012	
228	L602	CHIP COIL BEAD	8 2A 2012	
229	L603	CHIP COIL BEAD	8 2A 2012	
230	P101	HARNESS ASSY	SH-WOO-02-002 (300mm)	
231	P201	CONN WAFER	8PIN 2mm Pitch	
232	P202	CONN WAFER	4PIN 2mm Pitch	
233	P601	CONN WAFER	5PIN 2mm Pitch	
234	P702	CONN WAFER	4PIN 2mm Pitch	
235	P801	CONN WAFER	12PIN 2.54mm Pitch	
236	P801A	CONNECTOR FG	SH-WOO-02-005(50mm)	
237	P801B	CONNECTOR FG	SH-WOO-02-005(100mm)	
238	P802	CONNECTOR AC	SH-WOO-02-003(185mm)	
239	P804	AC HARNESS	SH-WOO-02-004(70mm)	
240	P810	CONNECTOR GND	SH-WOO-02-001 (50MM)	
241	P811	CONNECTOR GND	SH-WOO-02-001 (50MM)	
242	P812	CONNECTOR GND	SH-WOO-02-001 (50MM)	
243	P813	CONNECTOR GND	SH-WOO-02-001 (80MM)	
244	P814	CONNECTOR GND	SH-WOO-02-001 (80MM)	
245	P815	CONNECTOR GND	150mm	
246	P901	CONN FPC 50P	SMD 50PIN 0.5MM	
247	PA201	CONNECTOR	8PIN, 2mm Pitch, 400mm	
248	PA202	CONNECTOR	4PIN, 2mm Pitch, 200mm	
249	PA601	CONNECTOR	5PIN 2MM R:420 L:470MM	
250	PA802	CONN WAFER	SH-WOO-02-004	
251	PA803	CONN WAFER	SH-WOO-02-004	
252	PA901	50P FILM CABLE	50Pin 0.5mm	
253	PW01	POWER BOARD ASS'Y	SW-6500 WIDE VOLTAGE	
254	PW801	POWER SUPPLY CORD	SP023+IS14 (H05VV)	
255	Q101	TRANSISTOR	MMBT3904LT1 SOT223	
256	Q221	TR	KTC3198 TO92	
257	Q222	TR	KTC3198 TO92	
258	Q301	TRANSISTOR	MMBT3904LT1 SOT223	
259	Q501	TRANSISTOR	MMBT3904LT1 SOT223	
260	Q701	TRANSISTOR	MMBT3906LT1 SOT223	
261	Q702	TRANSISTOR	MMBT3904LT1 SOT223	
262	Q802	TRANSISTOR	MMBT3904LT1 SOT223	
263	R101	R CHIP	1/10W 4.7K J 1608	
264	R102	R CHIP	1/10W 4.7K J 1608	
265	R103	R CHIP	1/10W 100 J 1608	
266	R104	R CHIP	1/10W 100 J 1608	
267	R133	R CHIP	1/10W 12K J 1608	
268	R134	R CHIP	1/10W 22 J 1608	
269	R135	R CHIP	1/10W 22K J 1608	
270	R136	R CHIP	1/10W 1K J 1608	
271	R201	R CHIP	1/10W 10K J 1608	
272	R202	R CHIP	1/10W 10K J 1608	

No	Part No	Name	Desc	Remark
273	R203	R CHIP	1/10W 10K J 1608	
274	R204	R CHIP	1/10W 10K J 1608	
275	R205	R CHIP	1/10W 10K J 1608	
276	R206	R CHIP	1/10W 10K J 1608	
277	R207	R CHIP	1/10W 10K J 1608	
278	R208	R CHIP	1/10W 10K J 1608	
279	R221	R CARBON	1/8W 330 J Axial	
280	R222	R CARBON	1/8W 330 J Axial	
281	R223	R CARBON	1/8W 4.7K J Axial	
282	R301	R CHIP	1/10W 22 J 1608	
283	R302	R CHIP	1/10W 12K J 1608	
284	R303	R CHIP	1/10W 1K J 1608	
285	R304	R CHIP	1/10W 22K J 1608	
286	R305	R CHIP	1/10W 75 J 1608	
287	R306	R CHIP	1/10W 100 J 1608	
288	R307	R CHIP	1/10W 100 J 1608	
289	R308	R CHIP	1/10W 100 J 1608	
290	R309	R CHIP	1/10W 100 J 1608	
291	R310	R CHIP	1/10W 100 J 1608	
292	R311	R CHIP	1/10W 100 J 1608	
293	R315	R CHIP	1/10W 24K J 1608	
294	R316	R CHIP	1/10W 75 J 1608	
295	R408	R CHIP	1/10W 390 J 1608	
296	R409	R CHIP	1/10W 680 J 1608	
297	R410	R CHIP	1/10W 150K J 1608	
298	R411	R CHIP	1/10W 1K J 1608	
299	R412	R CHIP	1/10W 560 J 1608	
300	R413	R CHIP	1/10W 3.9K J 1608	
301	R414	R CHIP	1/10W 10K J 1608	
302	R501	R CHIP	1/10W 100 J 1608	
303	R502	R CHIP	1/10W 100 J 1608	
304	R503	R CHIP	1/10W 3.3K J 1608	
305	R506	R CHIP	1/10W 75 J 1608	
306	R507	R CHIP	1/10W 75 J 1608	
307	R508	R CHIP	1/10W 75 J 1608	
308	R509	R CHIP	1/10W 75 J 1608	
309	R510	R CHIP	1/10W 75 J 1608	
310	R511	R CHIP	1/10W 75 J 1608	
311	R512	R CHIP	1/10W 75 J 1608	
312	R513	R CHIP	1/10W 75 J 1608	
313	R514	R CHIP	1/10W 75 J 1608	
314	R515	R CHIP	1/10W 75 J 1608	
315	R516	R CHIP	1/10W 75 J 1608	
316	R517	R CHIP	1/10W 75 J 1608	
317	R518	R CHIP	1/10W 75 J 1608	
318	R519	R CHIP	1/10W 75 J 1608	

No	Part No	Name	Desc	Remark
319	R520	R CHIP	1/10W 75 J 1608	
320	R521	R CHIP	1/10W 75 J 1608	
321	R522	R CHIP	1/10W 75 J 1608	
322	R523	R CHIP	1/10W 75 J 1608	
323	R524	R CHIP	1/10W 75 J 1608	
324	R525	R CHIP	1/10W 75 J 1608	
325	R526	R CHIP	1/10W 75 J 1608	
326	R527	R CHIP	1/10W 10K J 1608	
327	R530	R CHIP	1/10W 100 J 1608	
328	R541	R CHIP	1/10W 100 J 1608	
329	R542	R CHIP	1/10W 100 J 1608	
330	R543	R CHIP	1/10W 2K J 1608	
331	R544	R CHIP	1/10W 2K J 1608	
332	R601	R CHIP	1/10W 8.2K J 1608	
333	R602	R CHIP	1/10W 8.2K J 1608	
334	R603	R CHIP	1/10W 100 J 1608	
335	R604	R CHIP	1/10W 100 J 1608	
336	R605	R CHIP	1/10W 1K J 1608	
337	R606	R CHIP	1/10W 1K J 1608	
338	R607	R CHIP	1/4W 240 J 3216	
339	R608	R CHIP	1/4W 240 J 3216	
340	R609	R CHIP	1/4W 240 J 3216	
341	R610	R CHIP	1/4W 240 J 3216	
342	R611	R CHIP	1/10W 100 J 1608	
343	R612	R CHIP	1/10W 100 J 1608	
344	R613	R CHIP	1/10W 1K J 1608	
345	R614	R CHIP	1/10W 1K J 1608	
346	R621	R CHIP	1/10W 1K J 1608	
347	R701	R CHIP	1/10W 1K J 1608	
348	R702	R CHIP	1/10W 3.3K J 1608	
349	R703	R CHIP	1/10W 3.3K J 1608	
350	R704	R CHIP	1/10W 3.3K J 1608	
351	R705	R CHIP	1/10W 3.3K J 1608	
352	R706	R CHIP	1/10W 3.3K J 1608	
353	R707	R CHIP	1/10W 10K J 1608	
354	R708	R CHIP	1/10W 1K J 1608	
355	R710	R CHIP	1/10W 100 J 1608	
356	R711	R CHIP	1/10W 100 J 1608	
357	R803	R CHIP	1/10W 100 J 1608	
358	R804	R CHIP	1/10W 3.3K J 1608	
359	R805	R CHIP	1/10W 2K J 1608	
360	R806	R CHIP	1/10W 3.3K J 1608	
361	R807	R CHIP	1/10W 0 J 1608	
362	R809	R CHIP	1/10W 4.7K J 1608	
363	R811	R CHIP	1/10W 0 J 1608	
364	R812	R CHIP	1/10W 0 J 1608	

No	Part No	Name	Desc	Remark
365	R901	R CHIP	1/10W 2K J 1608	
366	R902	R CHIP	1/10W 2K J 1608	
367	R903	R CHIP	1/10W 4.7K J 1608	
368	R907	R CHIP	1/10W 1K J 1608	
369	R908	R CHIP	1/10W 27 J 1608	
370	R913	R CHIP	1/10W 100 J 1608	
371	R914	R CHIP	1/10W 100 J 1608	
372	R915	R CHIP	1/10W 2K J 1608	
373	RP501	R CHIP ARRAY	1/10W 47 J SMD4 (1608)	
374	RP502	R CHIP ARRAY	1/10W 47 J SMD4 (1608)	
375	RP503	R CHIP ARRAY	1/10W 47 J SMD4 (1608)	
376	RP504	R CHIP ARRAY	1/10W 47 J SMD4 (1608)	
377	RP505	R CHIP ARRAY	1/10W 47 J SMD4 (1608)	
378	RP901	R CHIP ARRAY	1/10W 0 J SMD4 (1608)	
379	RP902	R CHIP ARRAY	1/10W 0 J SMD4 (1608)	
380	RP903	R CHIP ARRAY	1/10W 0 J SMD4 (1608)	
381	RP904	R CHIP ARRAY	1/10W 0 J SMD4 (1608)	
382	RP905	R CHIP ARRAY	1/10W 0 J SMD4 (1608)	
383	RP906	R CHIP ARRAY	1/10W 0 J SMD4 (1608)	
384	RP907	R CHIP ARRAY	1/10W 0 J SMD4 (1608)	
385	RS1	R CHIP	1/10W 0 J 1608	
386	RS2	R CHIP	1/10W 0 J 1608	
387	RS3	R CHIP	1/10W 0 J 1608	
388	S201	TACT SWITCH	KPT - 1115AM	
389	S202	TACT SWITCH	KPT - 1115AM	
390	S203	TACT SWITCH	KPT - 1115AM	
391	S204	TACT SWITCH	KPT - 1115AM	
392	S205	TACT SWITCH	KPT - 1115AM	
393	S206	TACT SWITCH	KPT - 1115AM	
394	S207	TACT SWITCH	KPT - 1115AM	
395	SP01	SPEAKER	3W 8 OHM, 7248 - 8BC - 01	
396	SP02	SPEAKER	3W 8 OHM, 7248 - 8BC - 01	
397	SW801	AC SWITCH	PS3 - 22SP	
398	U101	TUNER	TCPQ9091PD27E(S)	
399	V901	LCD MODULE	20.1" CCFL	
400	Y301	CRYSTAL QUARTZ	12.0000MHZ	
401	Y401	RESONATOR	500F9	
402	Y501	CRYSTAL	20.25MHZ 13PF	
403	Y601	CRYSTAL	18.432MHZ 16PF	
404	Y901	CRYSTAL	14.31818MHz 16PF	
405	IB01	INVERTER B/D	KUBNKM038A	

POWER Board

No	Part No	Name	Desc	Remark
1	AR1	ARRESTOR	DSA-452M	△
2	C100	C CERA	4KV 2200PF	Y-CAP △
3	C3	C MYLAR	275VAC 0.22UF	X-CAP △
4	C32	C CERA	4KV 3300PF	Y-CAP △
5	C33	C CERA	1KV 0.01UF	△
6	C34	C CERA	1KV 100PF	△
7	C35	C ELECTRO	50V 47UF	
8	C36	C ELECTRO	50V 1UF	
9	C37	C CERA	1KV 100PF	△
10	C38	C ELECTRO	400V 150UF	△
11	C39	C POLYESTER	100V 0.033UF	
12	C4	C MYLAR	275VAC 0.22UF	X-CAP △
13	C40	C CERA	4KV 2200PF	Y-CAP △
14	C41	C CERA	4KV 2200PF	Y-CAP △
15	C51	C ELECTRO	400V 10UF	△
16	C52	C ELECTRO	50V 47UF	
17	C53	C POLYESTER	100V 0.022UF	
18	C54	C CERA	1KV 100PF	△
19	C56	C CERA	50V 0.1UF	
20	C57	C CERA	4KV 2200PF	Y-CAP △
21	C58	C CERA	4KV 2200PF	Y-CAP △
22	C81	C CERA	1KV 1000PF	△
23	C82	C ELECTRO	35V 1000UF	
24	C83	C ELECTRO	35V 1000UF	
25	C84	C ELECTRO	25V 1000UF	
26	C85	C ELECTRO	25V 1000UF	
27	C86	C CERA	1KV 1000PF	△
28	C87	C ELECTRO	16V 2200UF	
29	C88	C ELECTRO	16V 2200UF	
30	C92	C ELECTRO	10V 470UF	
31	C93	C ELECTRO	10V 470UF	
32	C94	C ELECTRO	50V 1UF	
33	C96	C ELECTRO	50V 1UF	
34	C97	C CERA	4KV 2200PF	Y-CAP △
35	C98	C CERA	4KV 2200PF	Y-CAP △
36	C99	C CERA	4KV 2200PF	Y-CAP △
37	CN1	WAFER	FW2360-02	
38	CN91	CONNECTOR	12 PIN	
39	CN93	CONNECTOR	14 PIN	
40	D1	BRIDGE DIODE	RBV406	△
41	D2	BRIDGE DIODE	DF06M	△
42	D20	WIRE JUMPER	20MM	
43	D31	DIODE	UF4007	△
44	D32	DIODE	1N4937	△
45	D51	DIODE	1N4937	△
46	D52	DIODE	UF4007	△
47	D91	DIODE	FML24S	△
48	D92	DIODE	UF5402	△
49	D94	DIODE	FMB24L	△

No	Part No	Name	Desc	Remark
50	D96	DIODE	RK36	△
51	F1	FUSE	250V 3.15A	△
52	F1	FUSE BOX	FH51H	®
53	HS2	HEATSINK		
54	HS31	HEATSINK		
55	IC31	SMPS IC	KA1M0680-B	Fairchild △
56	IC51	ST-BY SMPS IC	ICE2A165	Infineon △
57	IC94	REGULATOR	KIA431A	△
58	IC96	REGULATOR	KIA431A	△
59	J100	WIRE JUMPER	15MM	
60	J101	WIRE JUMPER	25MM	
61	J102	WIRE JUMPER	8MM	
62	J103	WIRE JUMPER	15MM	
63	J33	COIL BEAD		
64	J34	WIRE JUMPER	25MM	
65	J35	WIRE JUMPER	15MM	
66	J4	WIRE JUMPER	15MM	
67	J5	WIRE JUMPER	15MM	
68	J90	WIRE JUMPER	8MM	
69	J92	WIRE JUMPER	15MM	
70	J93	WIRE JUMPER	8MM	
71	J94	WIRE JUMPER	8MM	
72	J95	WIRE JUMPER	20MM	
73	J97	WIRE JUMPER	20MM	
74	J97	WIRE JUMPER	15MM	
75	J98	WIRE JUMPER	8MM	
76	J99	WIRE JUMPER	8MM	
77	L91	COIL CHOKE	6UH	
78	L92	COIL CHOKE	6UH	
79	L93	COIL CHOKE	6UH	
80	L94	COIL CHOKE	22UH	
81	LF1	LINE FILTER	SQ2828	△
82	LF2	LINE FILTER	SQ2828	△
83	PC31	PHOTO COUPLER	PC817	△
84	PC32	PHOTO COUPLER	PC123	△
85	PC51	PHOTO COUPLER	PC817	△
86	PE1	CONNECTOR	1 PIN	
87	Q91	TR	KSC1008C-Y	®
88	R1	R CARBON	1/2W 1M	
89	R100	R CARBON	1/8W 1K	
90	R101	R CARBON	1/8W 4.7K	
91	R102	R CARBON	1/8W 330	
92	R104	WIRE JUMPER	6MM	
93	R106	R CARBON	1/8W 1K	
94	R107	R CARBON	1/8W 470	
95	R109	R CARBON	1/8W 1.1K	
96	R120	R METAL	2W 2K	
97	R121	R METAL	2W 2K	
98	R122	R METAL	2W 2K	
99	R123	R METAL	2W 2K	
100	R124	R METAL	2W 2K	

No	Part No	Name	Desc	Remark
101	R125	R METAL	2W 2K	
102	R126	R METAL	2W 2K	
103	R127	R METAL	2W 2K	
104	R128	R METAL	2W 2K	
105	R129	R METAL	2W 2K	
106	R130	R METAL	2W 2K	
107	R131	R METAL	2W 2K	
108	R132	R METAL	2W 2K	
109	R20	WIRE JUMPER	15MM	
110	R31	R METAL	2W 68K	△
111	R33	R METAL	2W 150K	△
112	R34	R CARBON	1/4W 150	
113	R4	R COMPOSITION	1/2W 4.7M	△
114	R51	R CARBON	1/4W 470K	
115	R52	R CARBON	1/4W 330	
116	R53	R CARBON	1/4W 10	
117	R54	COIL BEAD		
118	R55	R METAL	2W 68K	®
119	R56	R WIREWOUND	1W 1	△
120	R88	WIRE JUMPER	6MM	
121	R89	R CARBON	1/8W 1K	
122	R91	R CARBON	1/4W 100	
123	R92	R CARBON	1/4W 10	
124	R93	R COMPOSITION	1/2W 4.7M	△
125	R94	R COMPOSITION	1/2W 4.7M	△
126	R95	R COMPOSITION	1/2W 4.7M	△
127	R96	R COMPOSITION	1/2W 4.7M	△
128	R97	R CARBON	1/8W 4.7K	
129	R98	R CARBON	1/8W 1K	
130	R99	R CARBON	1/8W 1K	
131	T31	MAIN TRANS	SW6500MA	△
132	T51	ST-BY TRANS	SW6500SB	△
133	TH31	THERMISTER	NTC10D-13	△
134	TH51	THERMISTER	NTC5D-9	△
135	VR1	VARISTOR	10D471	△
136	VR2	VARISTOR	10D561	△
137	VR3	VARISTOR	10D561	△

PARTS OF DIFFERENCE

SCART option

Option	J503	RS1-RS3	RC1-RC3
Yes	JACK SCART (HR-AG0771G-1)	R CHIP (0 ohm)	R CHIP (Open)
No	JACK RCA (YS01-0001)	R CHIP (Open)	R CHIP (0 ohm)

Teletext option

	I301
With Teletext	IC TELETEXT (SAA5264)
W/O Teletext	IC TELETEXT (open)

Power cord option

	Power cord	Remark
Europe	SP-023-IS14	
Swiss	SP-027-IS14	
Italy	SP-028-IS14	
Denmark	SP-029-IS14	
UK	SP-60-IS14	
Israel	SP-87-IS14	
Australia	SP502B-IS14	
China	SP-506-IS14	