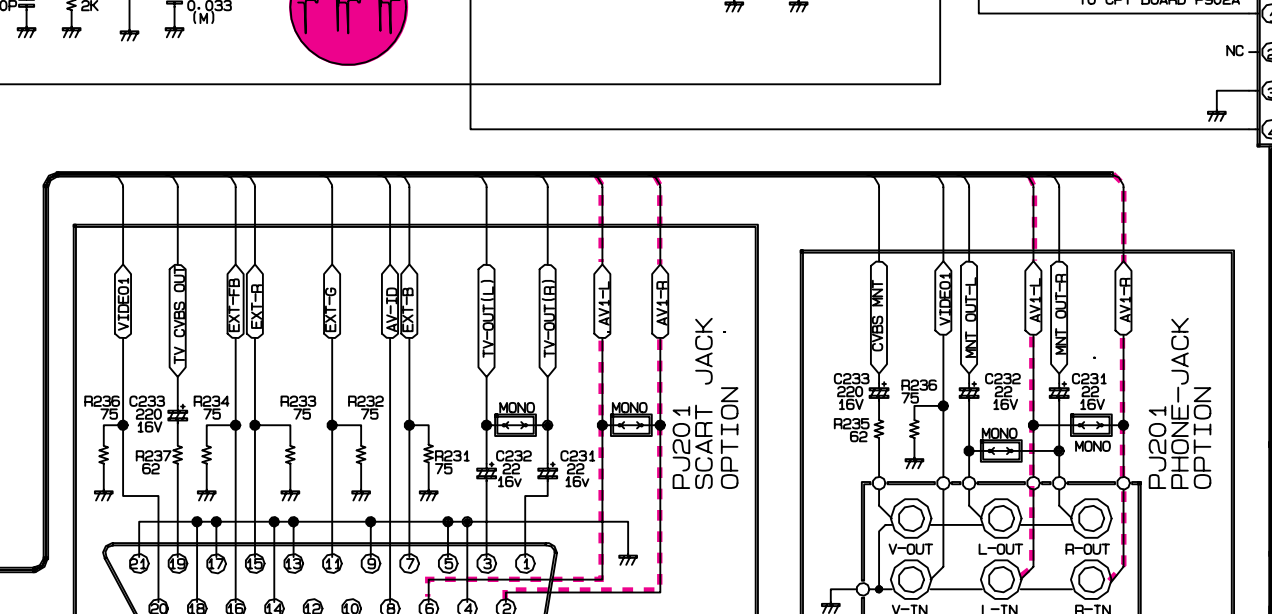
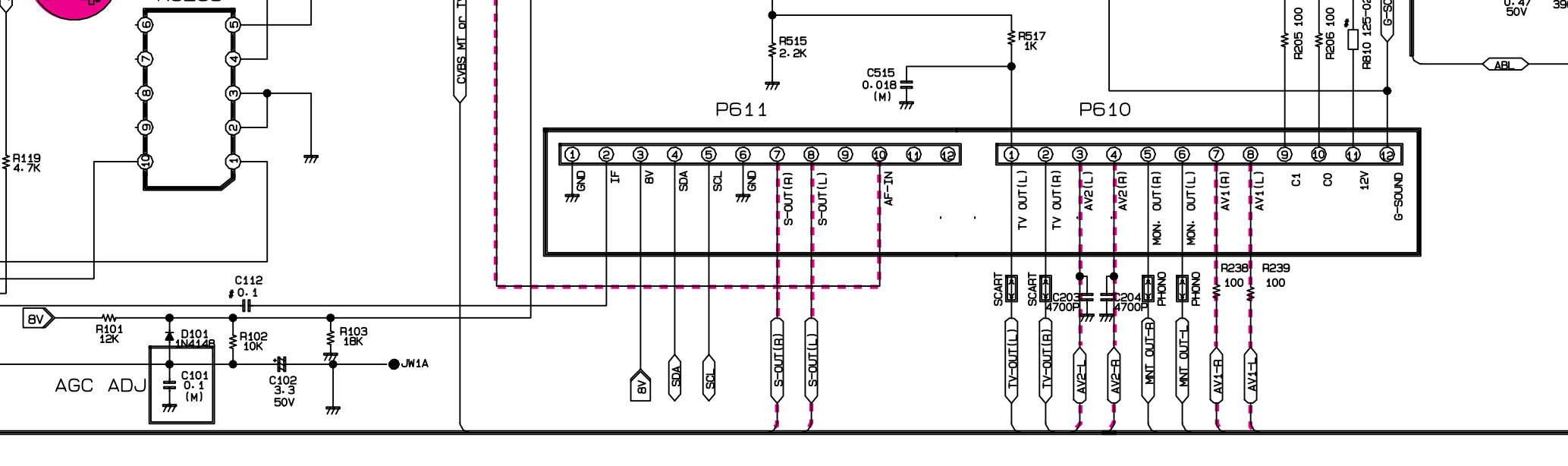
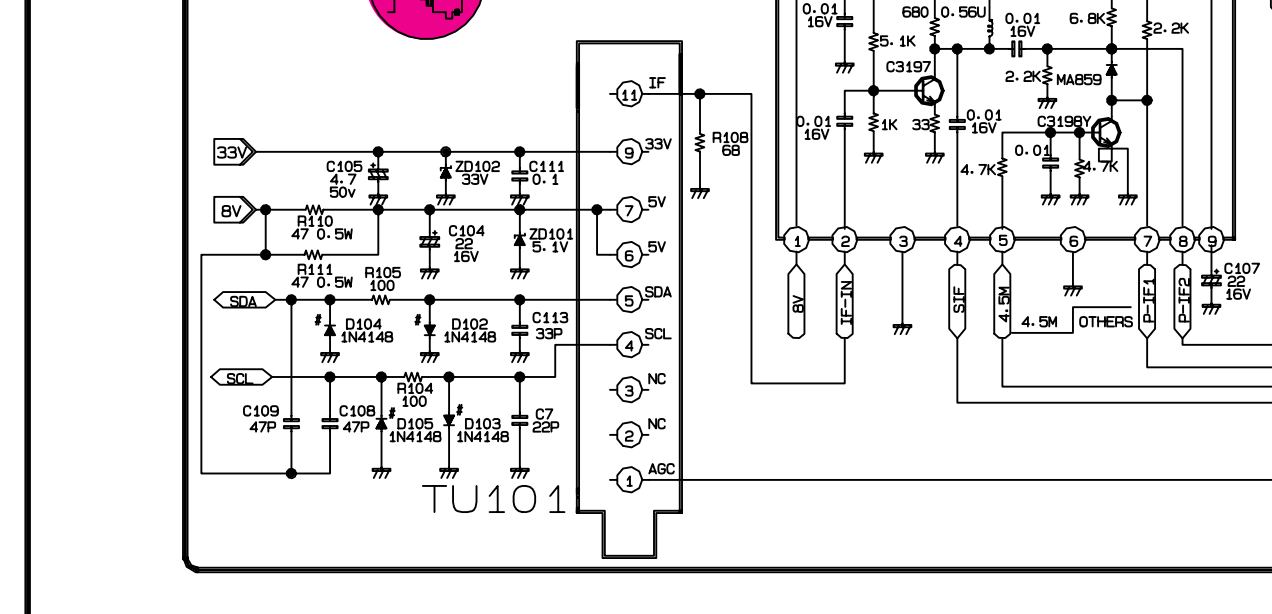
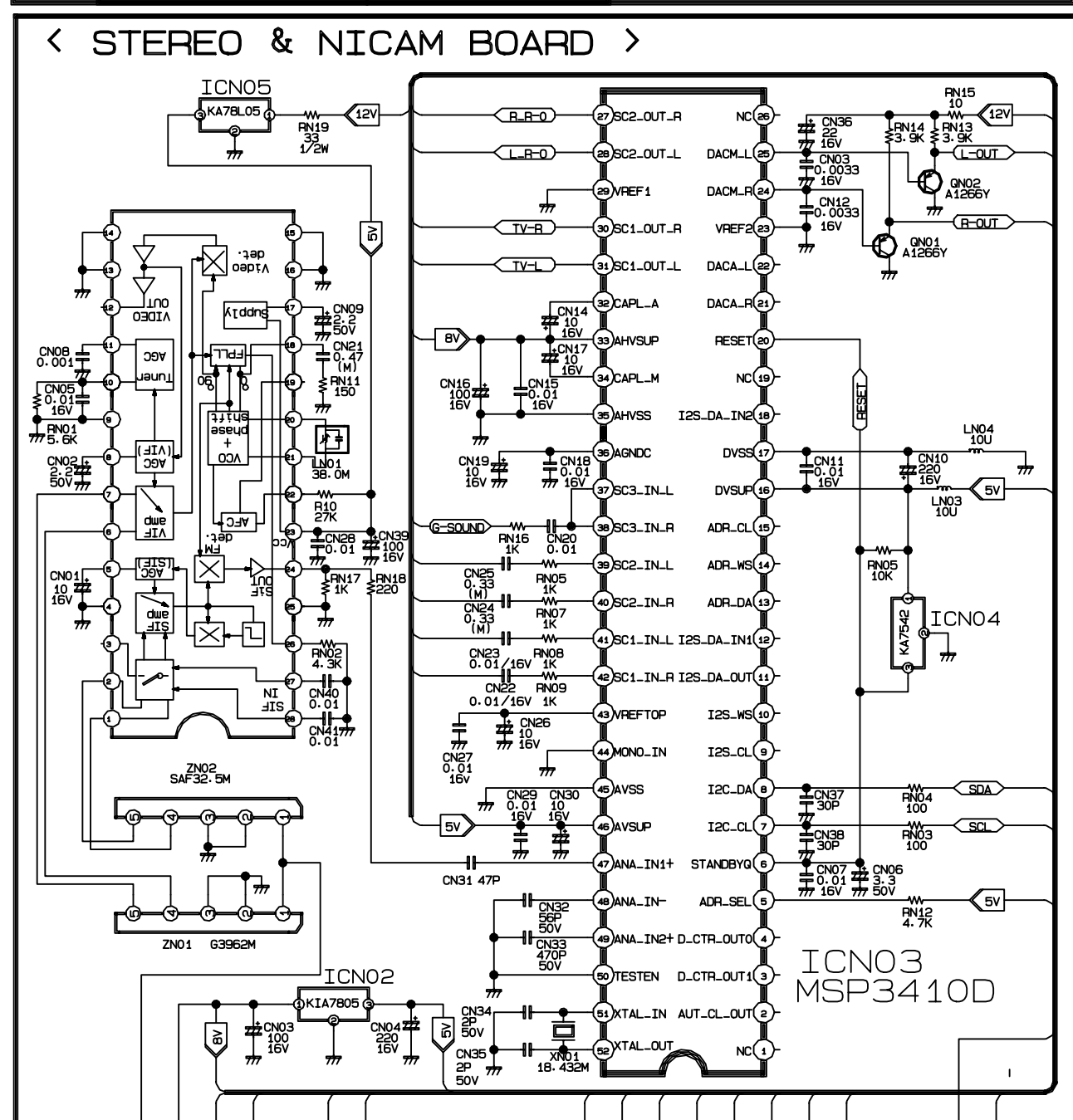
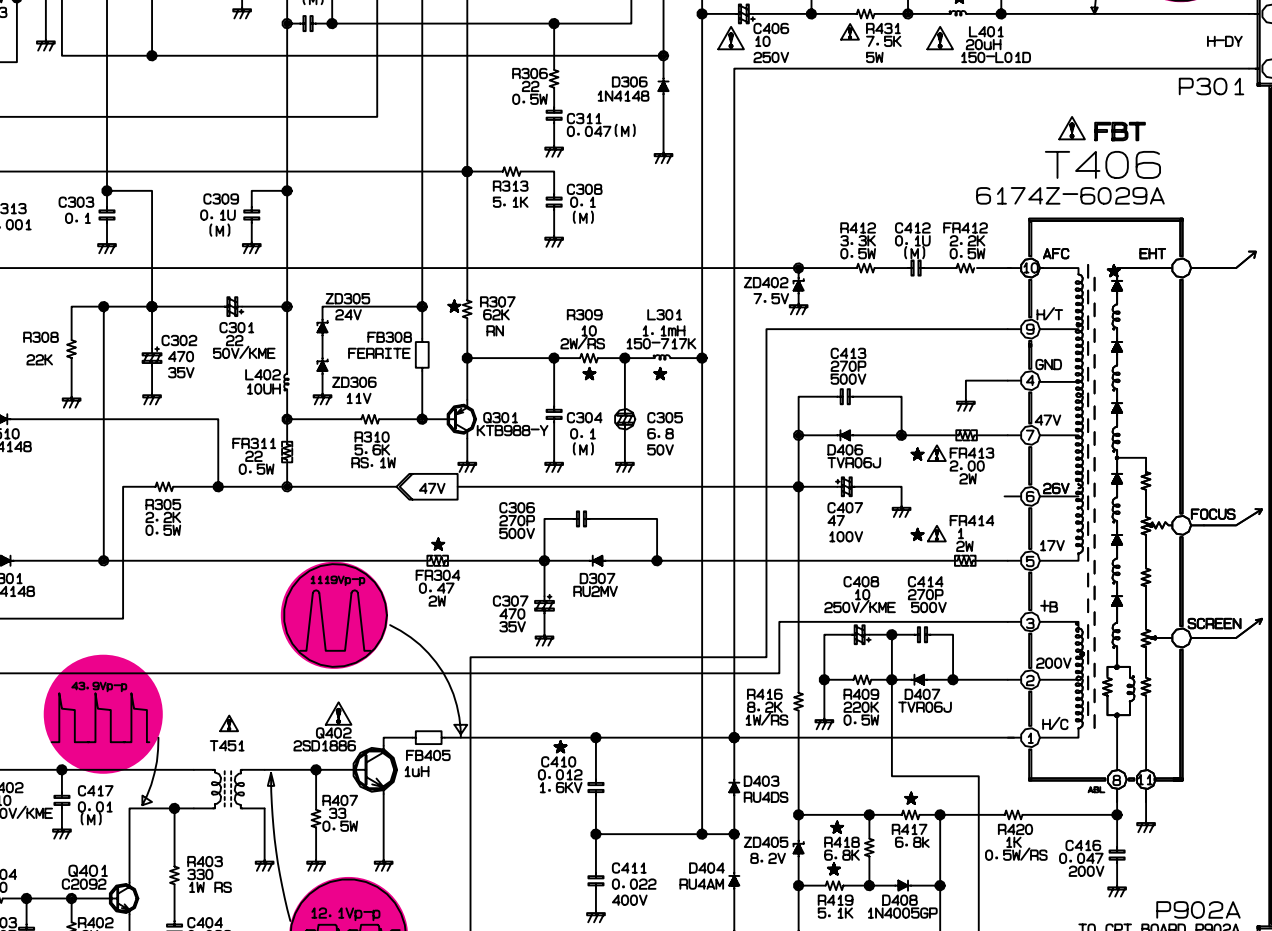
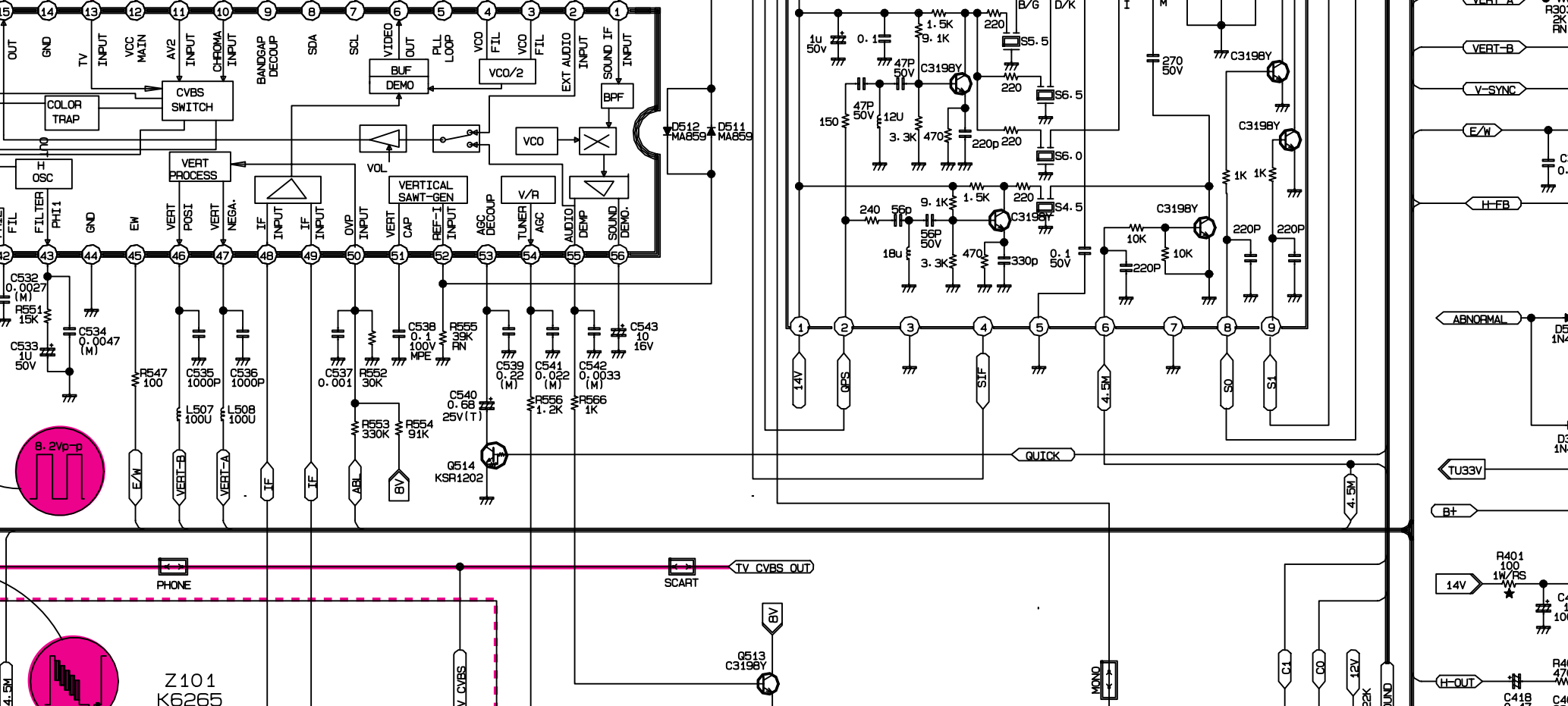
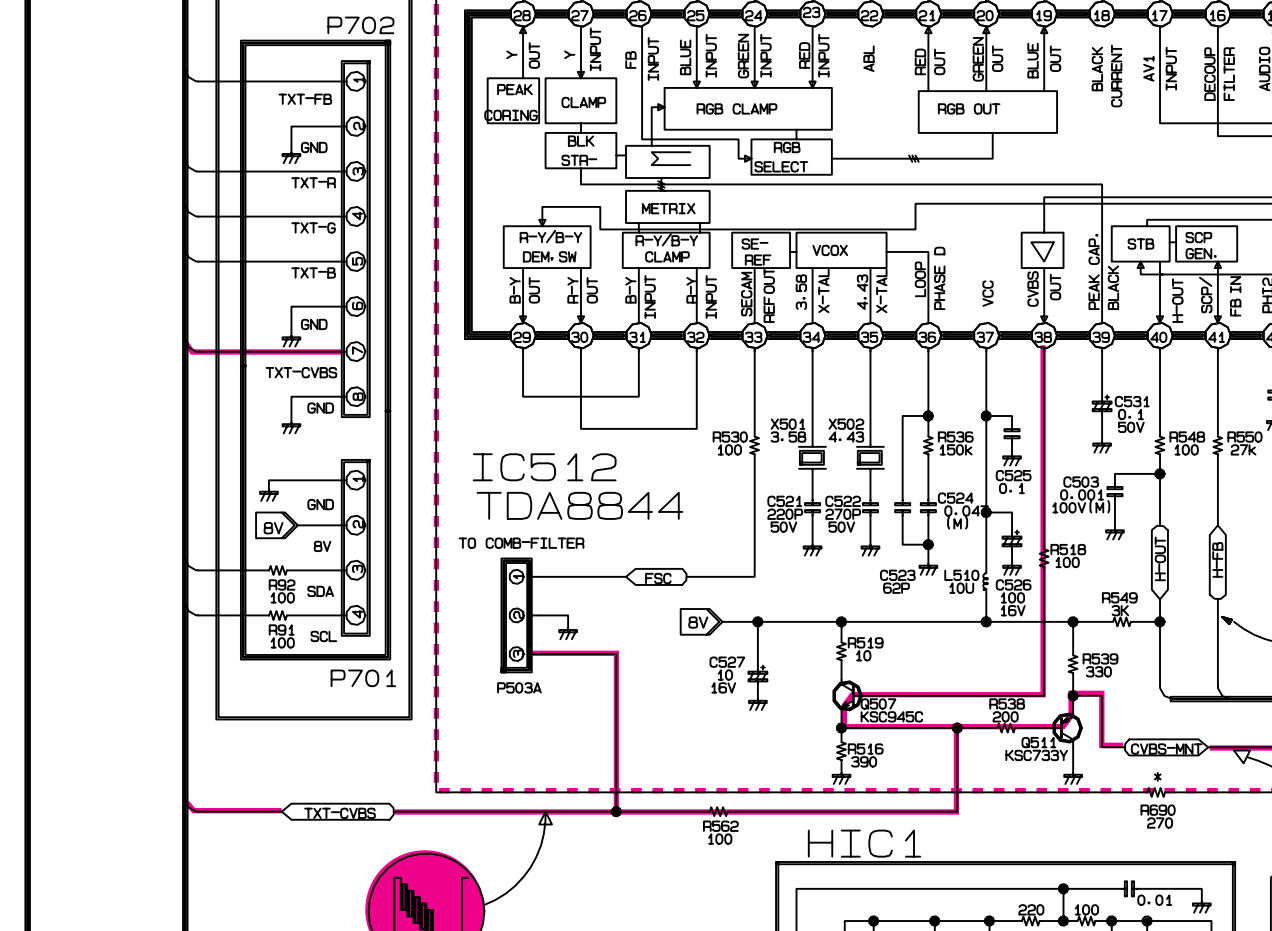
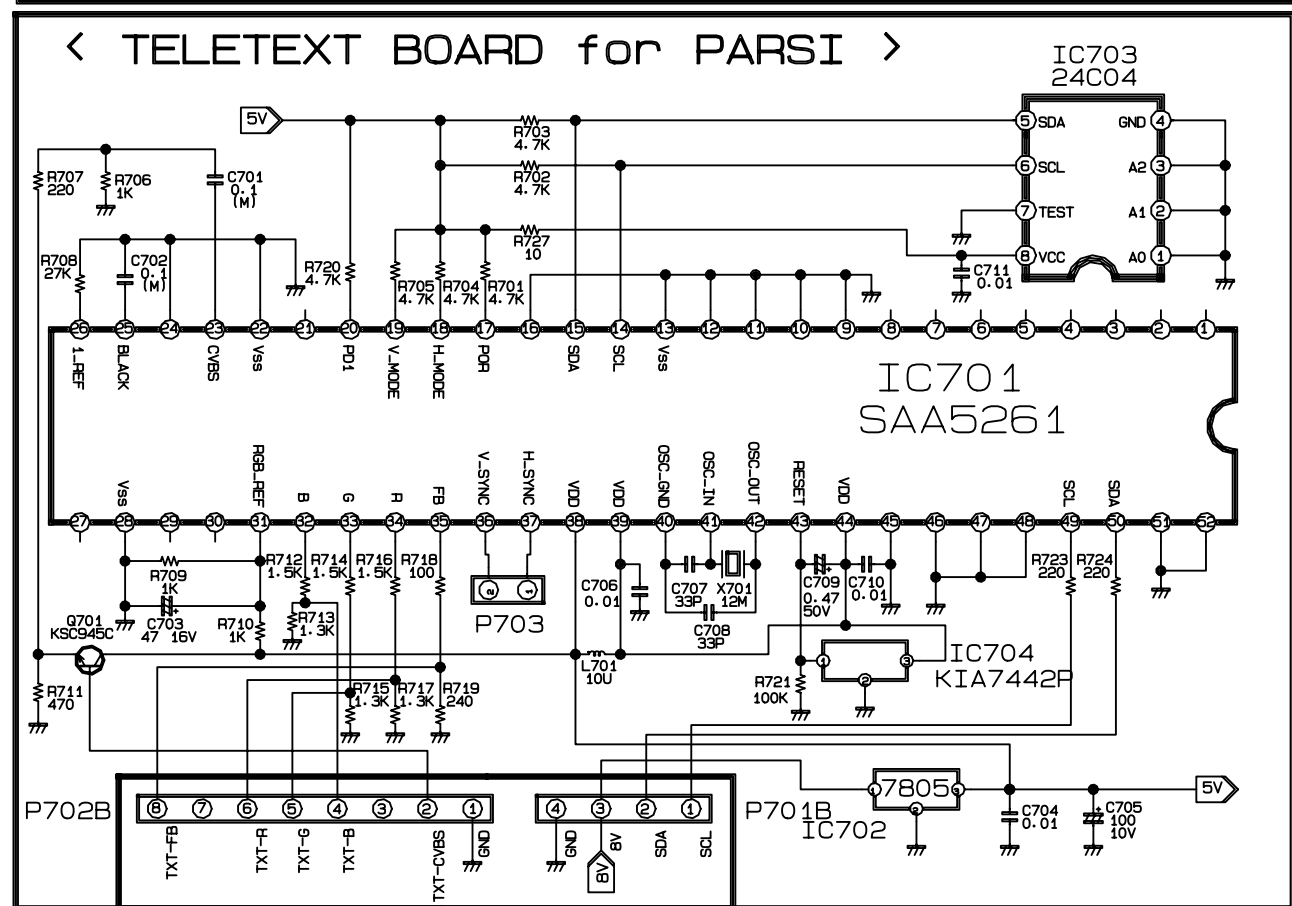
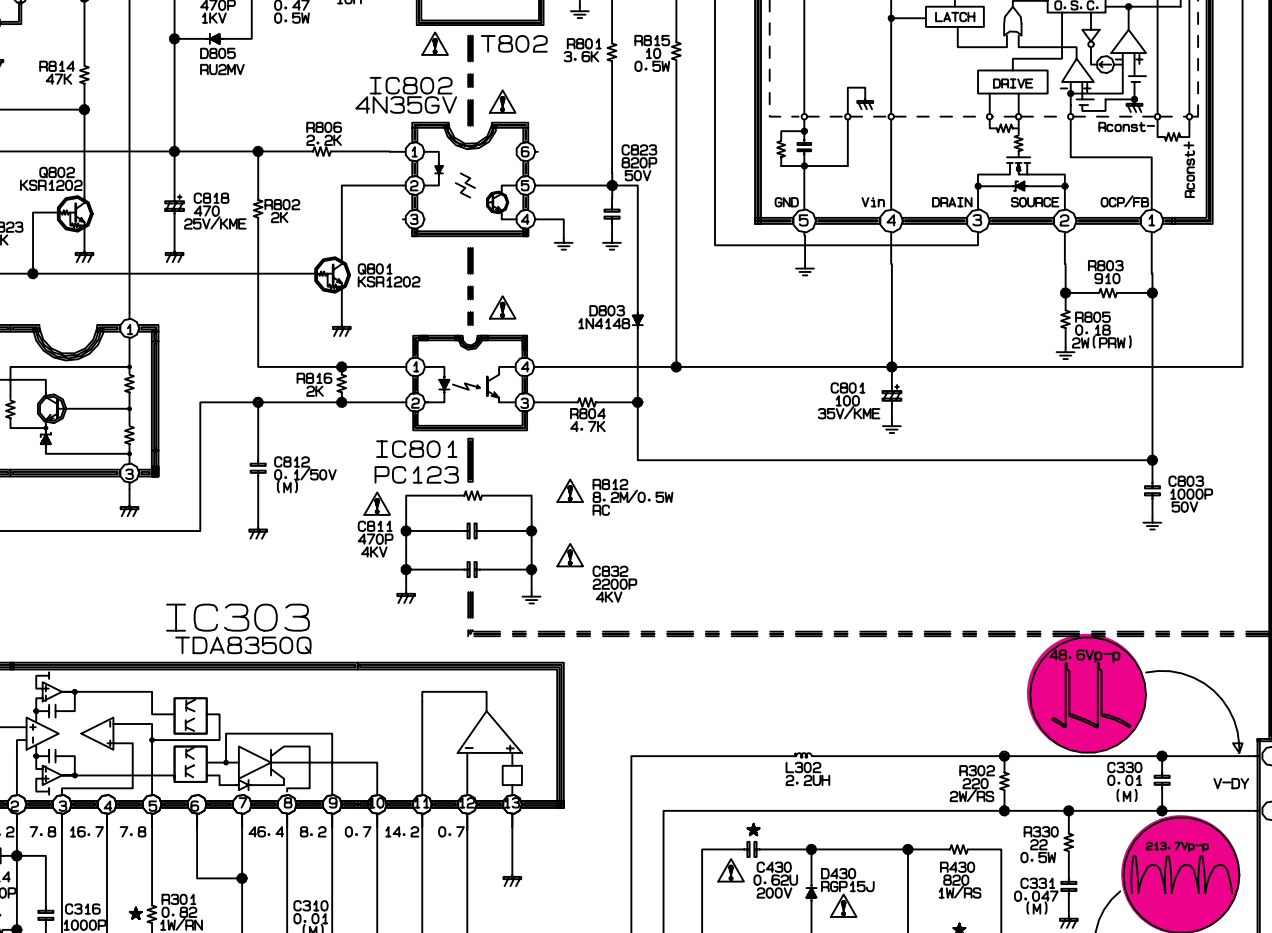
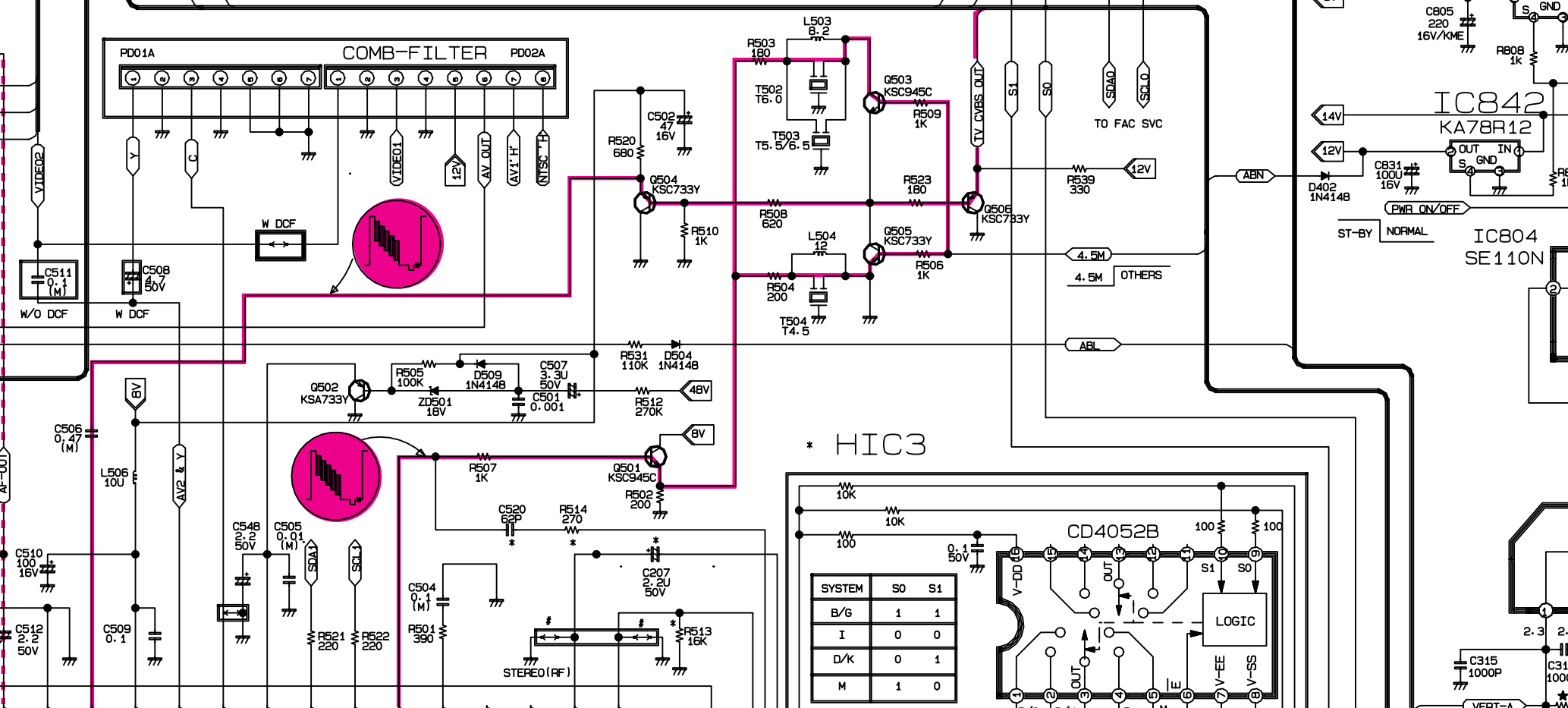
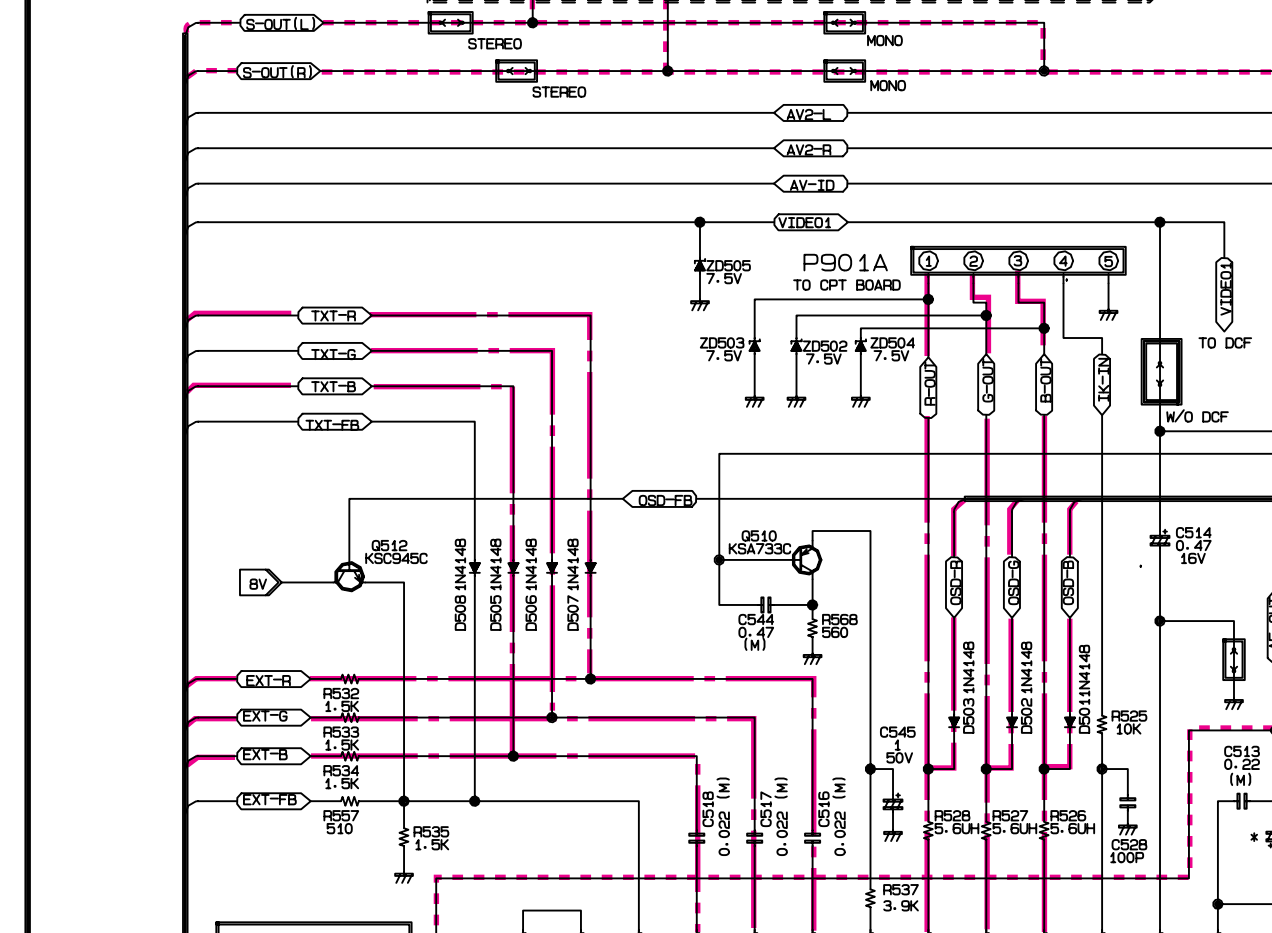
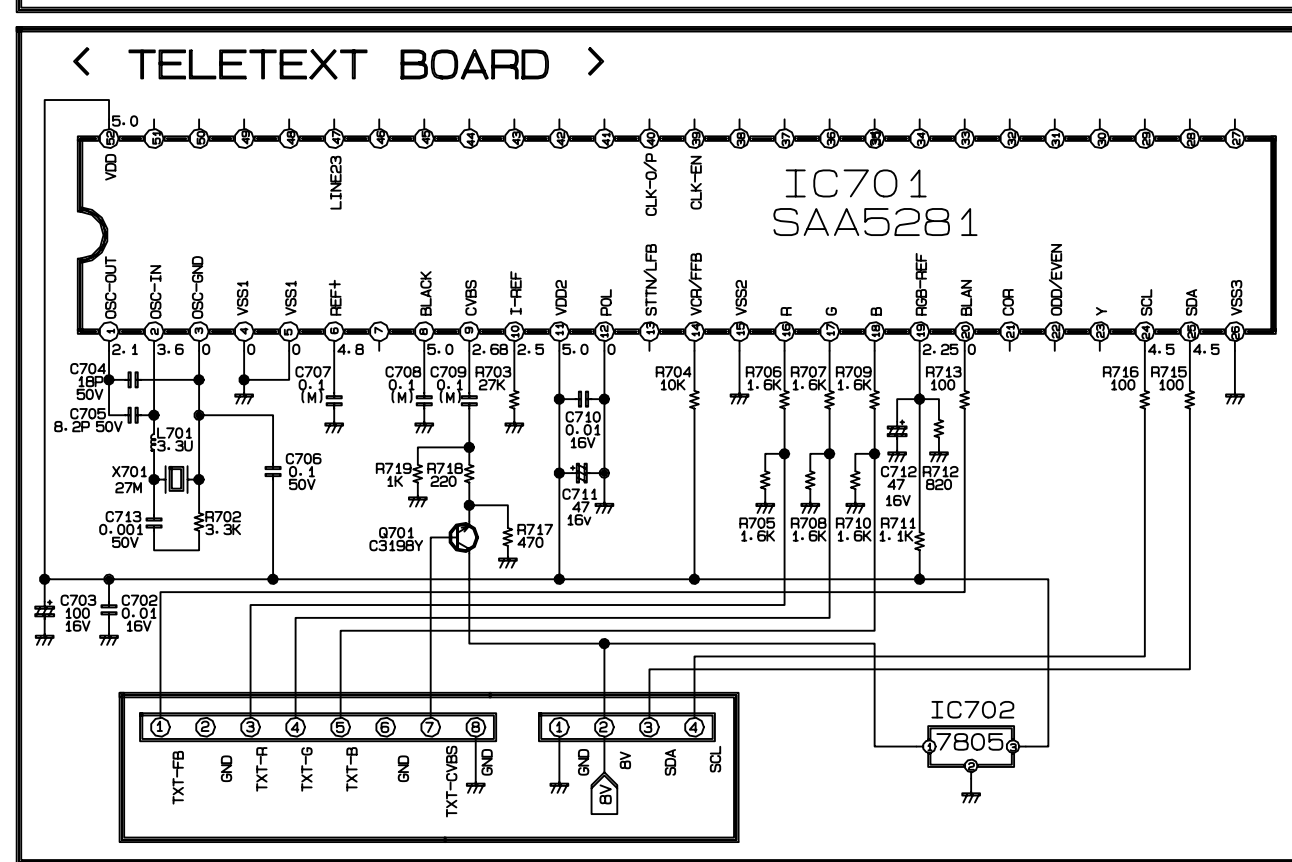
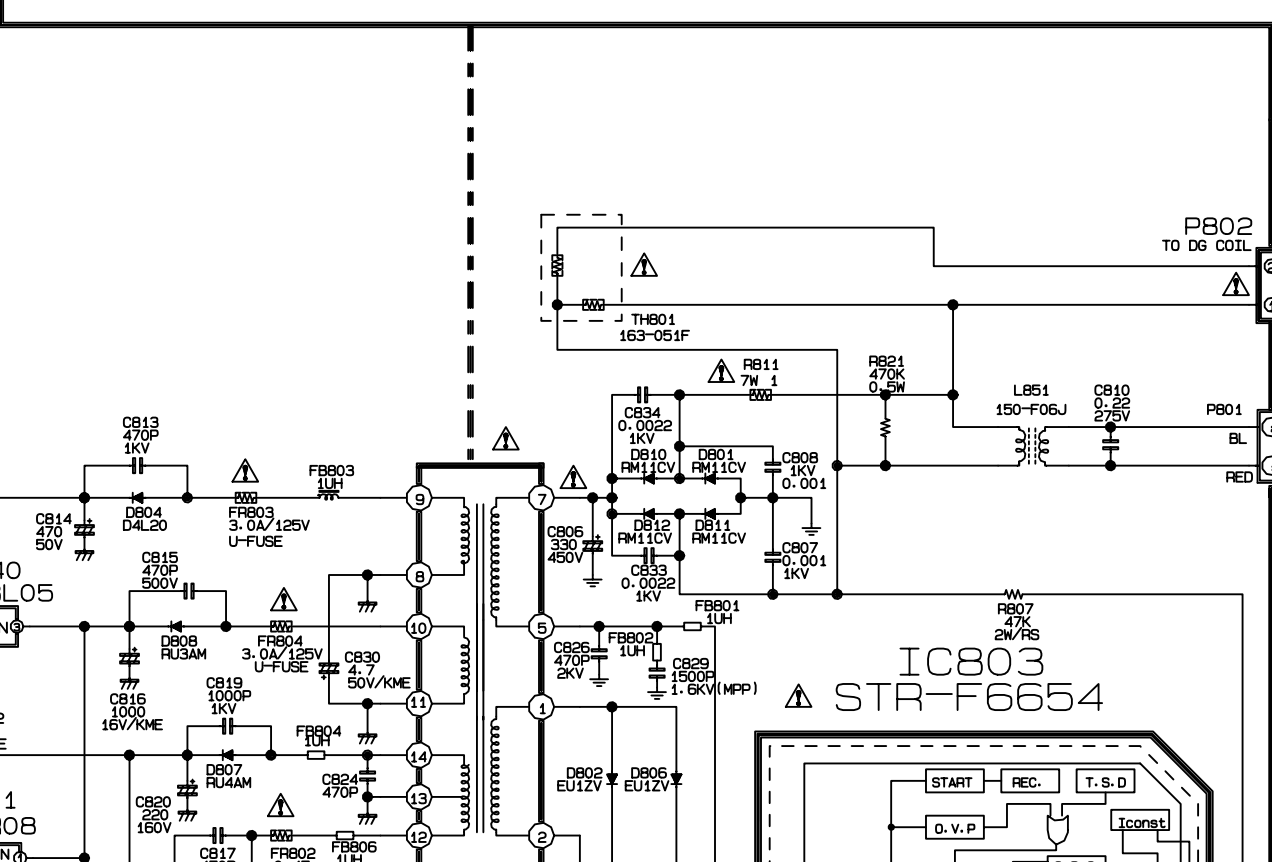
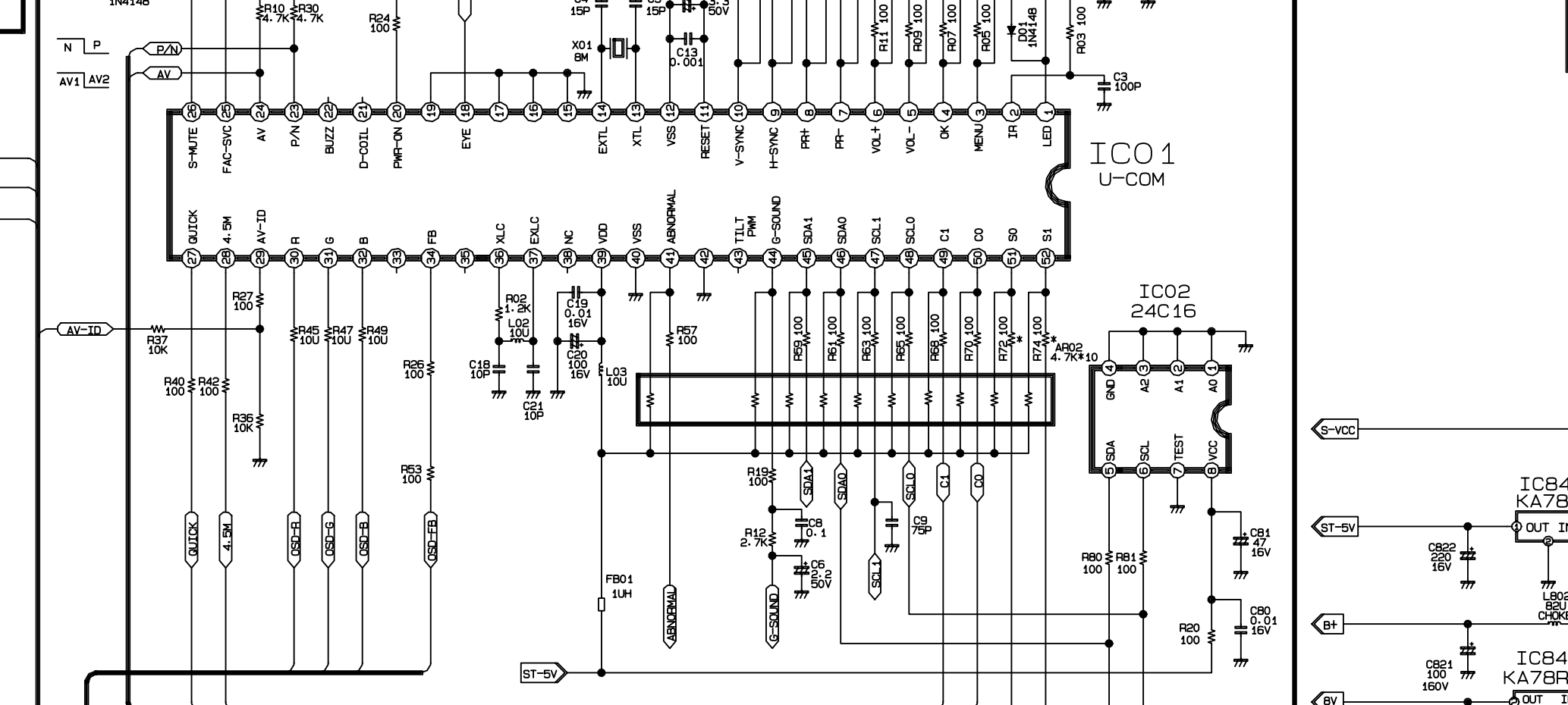
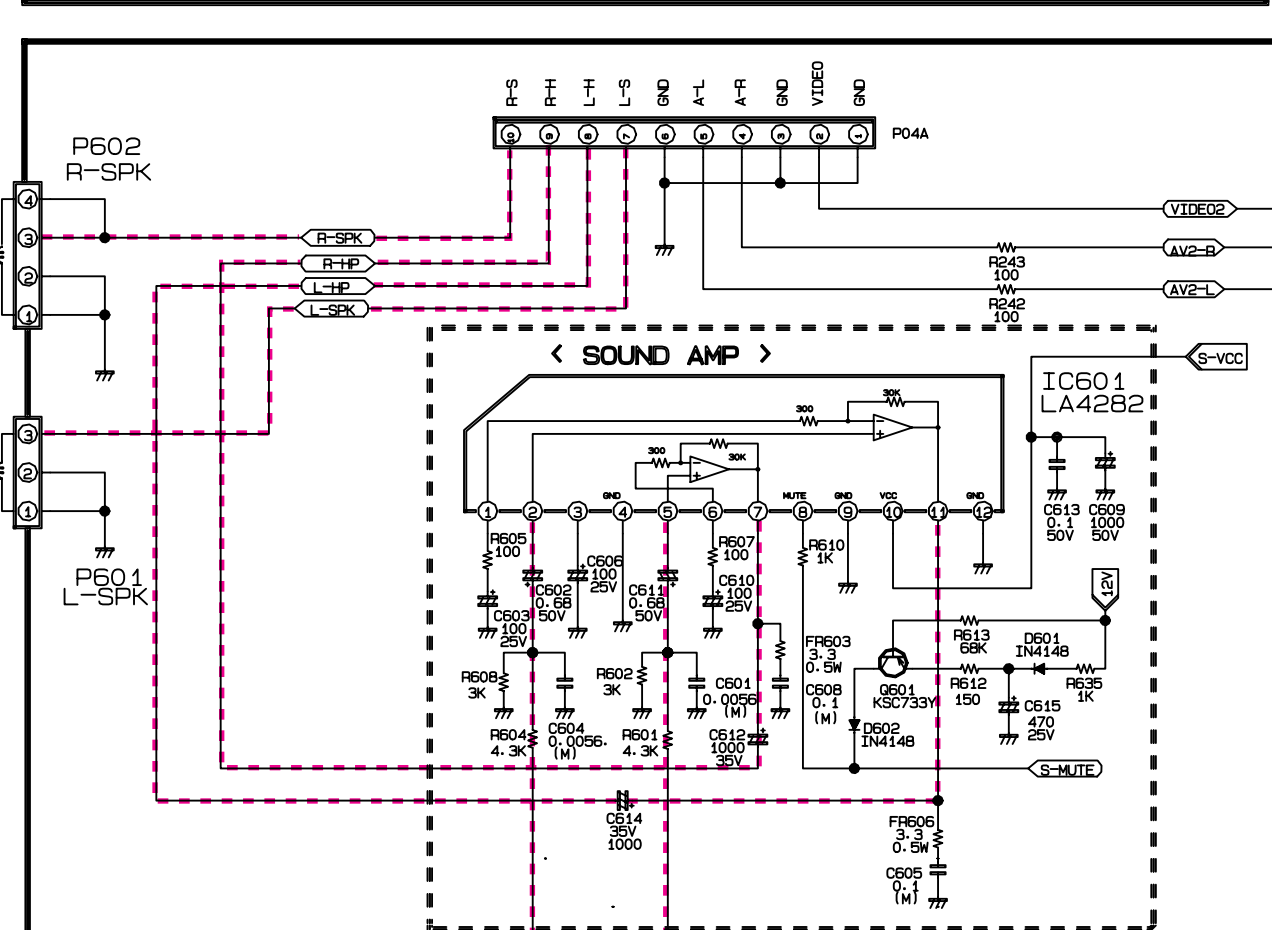
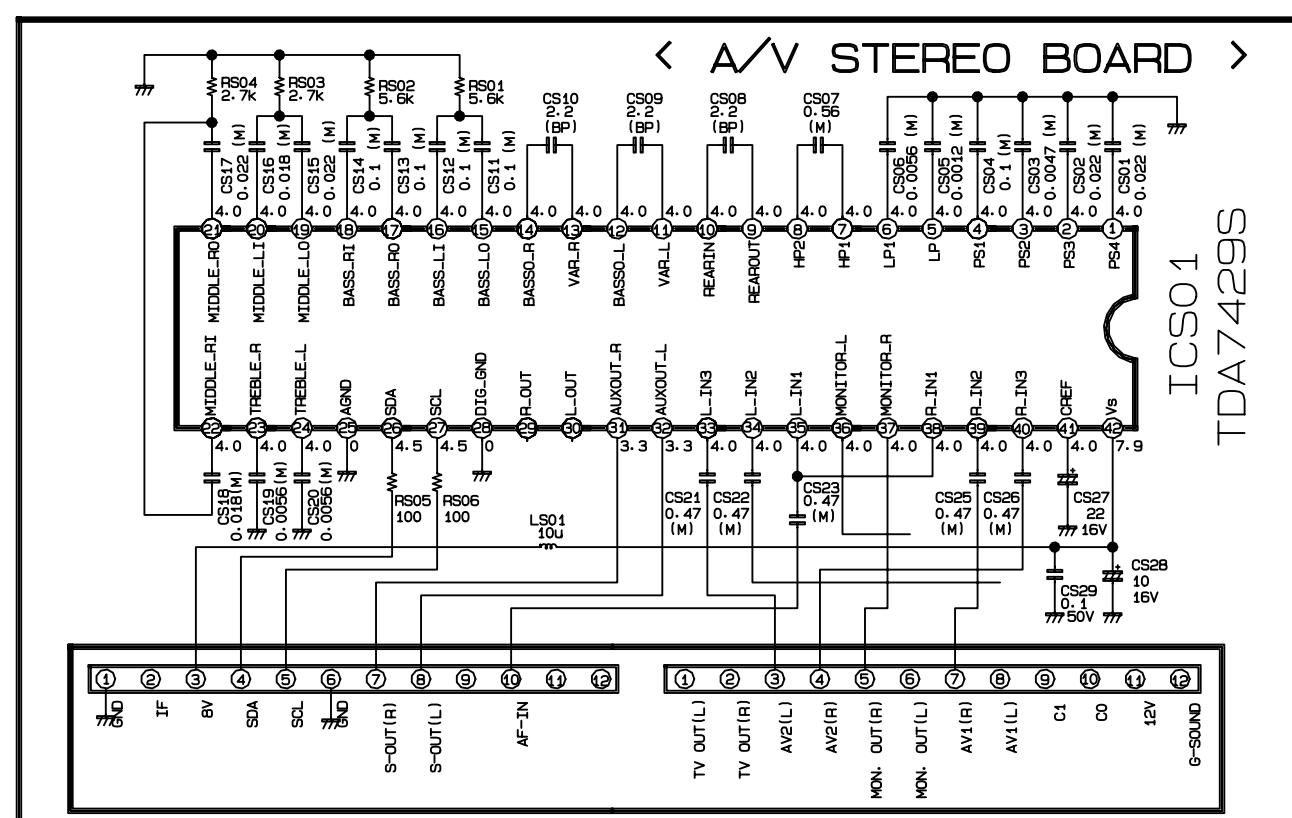
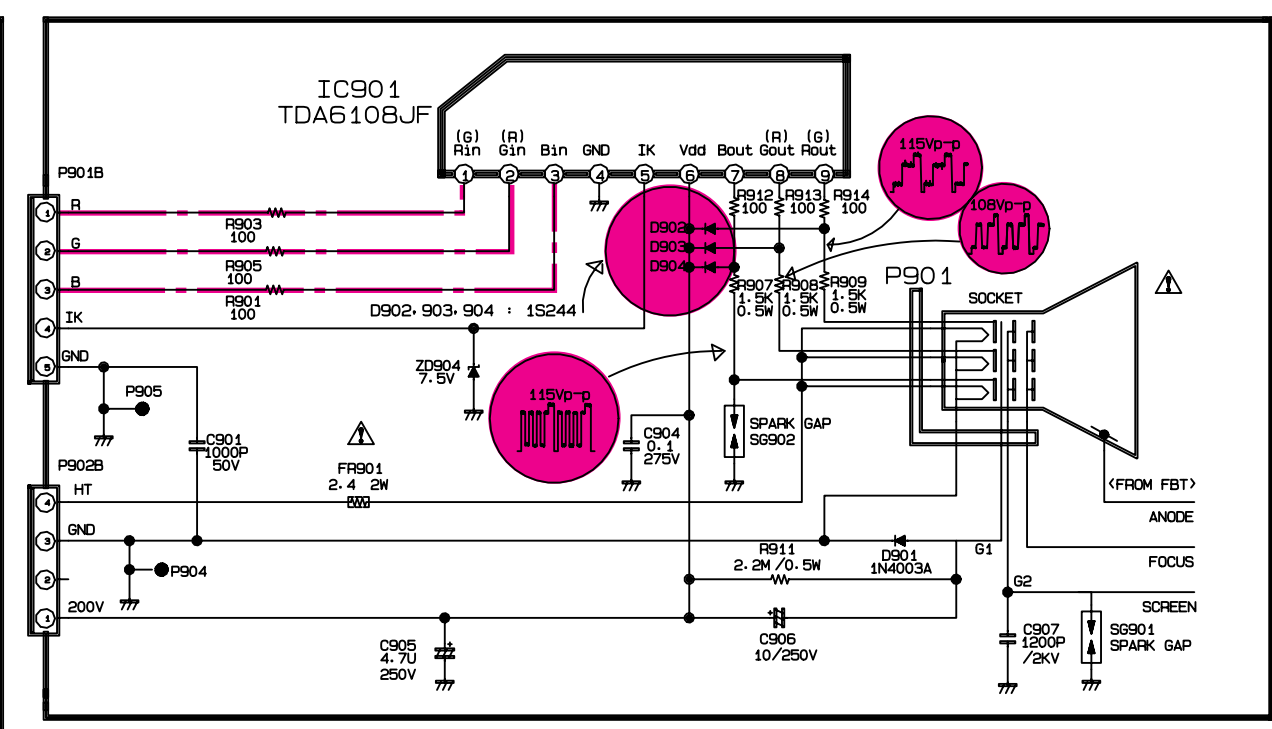
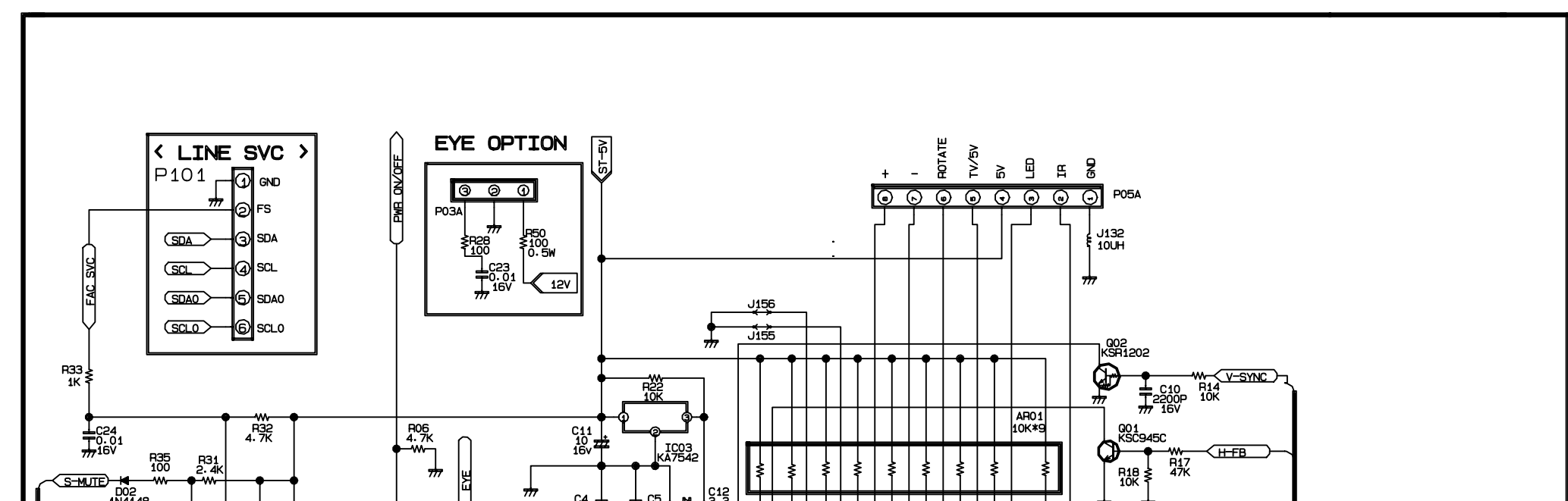
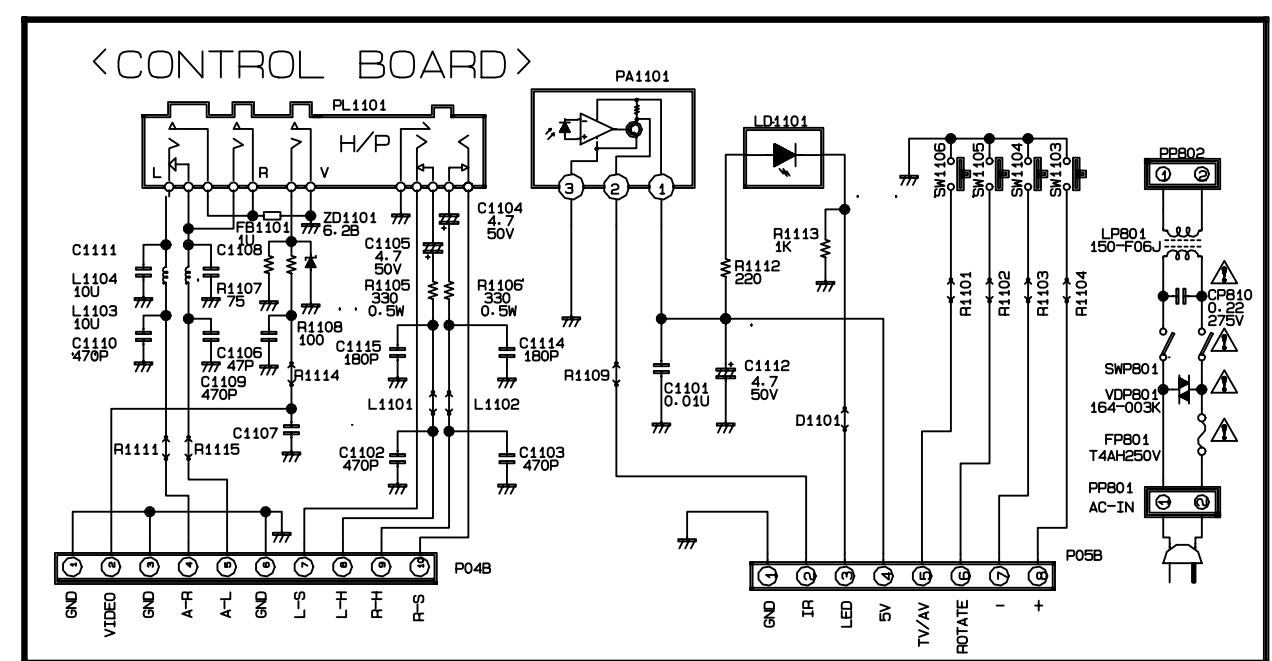


# Service Sheet of MC-99BA

P/No : 3854VA0065A-S  
DATE : 1999.8.11



**NOTICE**  
Space this is a basic schematic diagram. The value of components and some partial connection are subject to be changed for improvement without notice.

**VALUE OF RESISTOR, CAPACITOR AND INDUCTOR**

1. Resistor is shown in ohm, K=1,000, M=1,000,000
2. Unless otherwise noted in schematic, all capacitor values are expressed in  $\mu$ F.
3. Unless otherwise noted in schematic, all inductor values are expressed in  $\mu$ H.

**OBSERVATION OF VOLTAGE AND WAVEFORMS**

1. Voltages read with VTM from point to ground. Line voltages 180  $\pm$  20V video color bar signal.
2. Voltages reading may vary  $\pm$  20%.
3. The schematic shown is representative only.
4. All waveforms are taken using a wide band oscilloscope and a low capacity probe.
5. Check FINE TUNING, AGC, BRIGHTNESS, CONTRAST and COLOR controls for best picture. Make sure that BRIGHTNESS and COLOR controls are in their position and CONTRAST controls is at least in maximum position.
6. Waveforms are taken using a standard color signal.

**\*\*\* OPTION TABLE**

CIRT. NO	21INCH
L401	38 $\mu$ H
C430	624 200V
R401	68 1W
C410	123 1.6KV
L301	1.1MH
R417	6.8K 1/5W
FR14	1 2W
FR304	0.47 2W
FR32-533-534	1.5K

**STEREO OPTION**

CIRT. NO	AV STEREO	A2/NICAM
R605	24K 1/5W	100 1/5W
R607	24K 1/5W	100 1/5W
C501	0.01 $\mu$ F	0.005 $\mu$ F
C504	0.01 $\mu$ F	0.005 $\mu$ F
R602	3.0K 1/5W	3.0K 1/5W
R608	3.0K 1/5W	3.0K 1/5W

— Video  
— Chroma  
- - - Audio