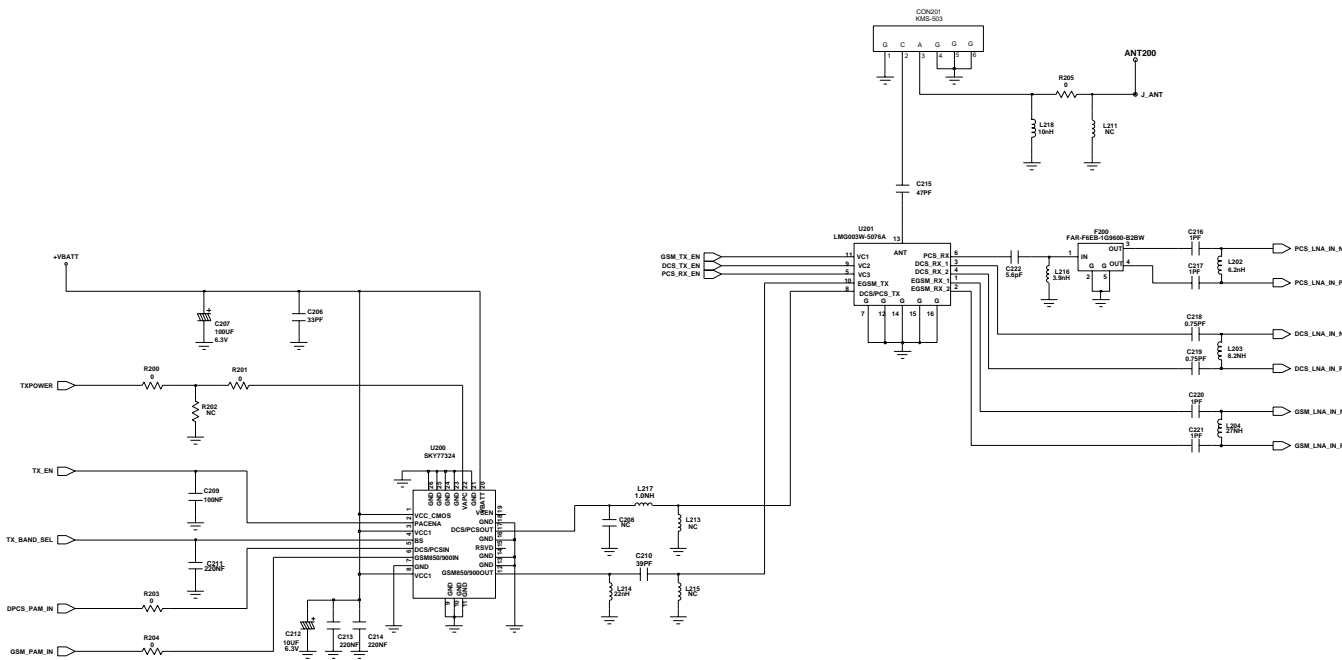


Engineer	<b>SAMSUNG ELECTRONICS</b>		Size A3
Drawn By			
R&D CHK	TITLE:	<b>SGH-X450</b>	
DQC CTRL CHK			
MFG ENDR CHK			



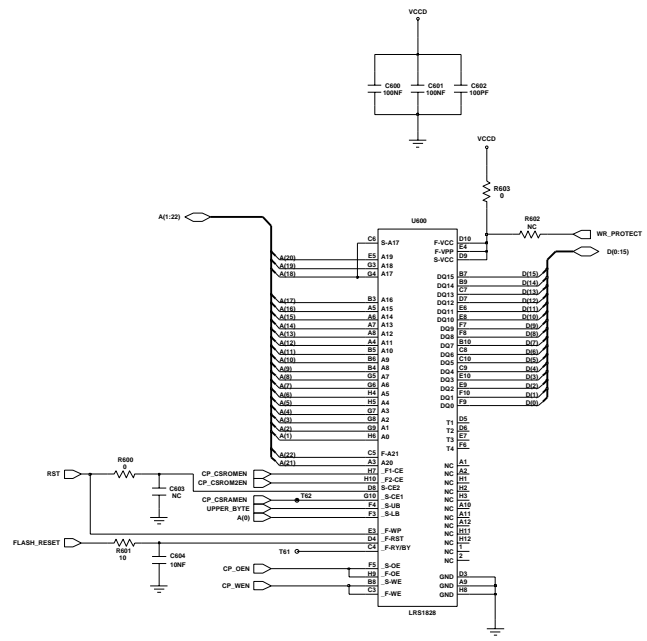
TRANSMITTER & RECEIVER

Engineer	<b>SAMSUNG ELECTRONICS</b>		
Drawn by	TITLE:		
RD/CHK	<b>SGH-X450</b>		
CHK CTRL CHK	Size AS		
MFG ENDR CHK	REV 2.8		





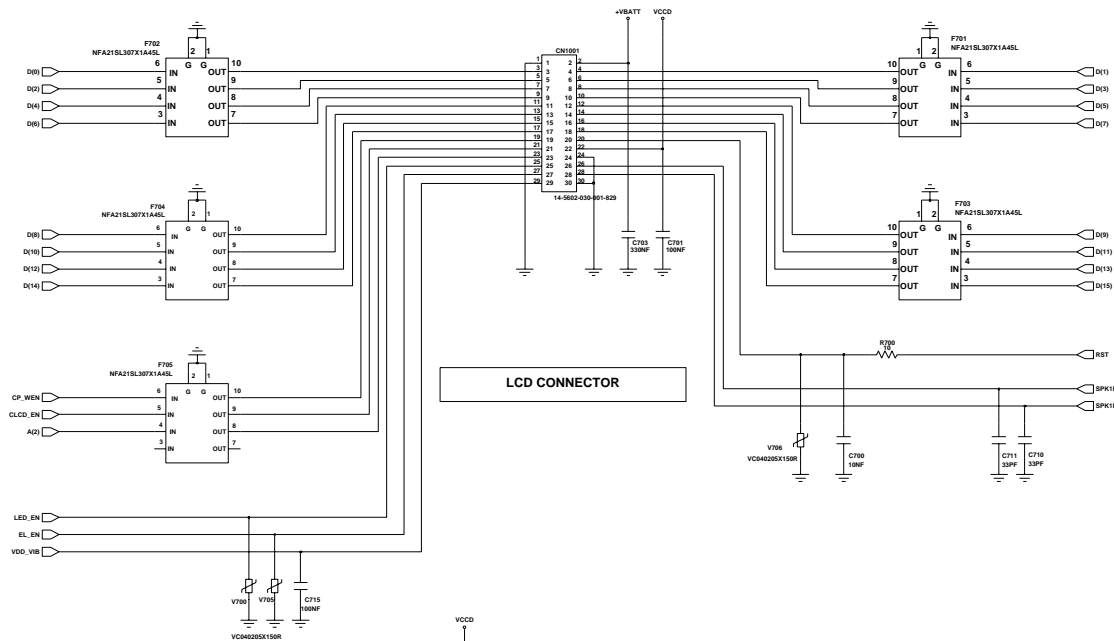




MEMORY

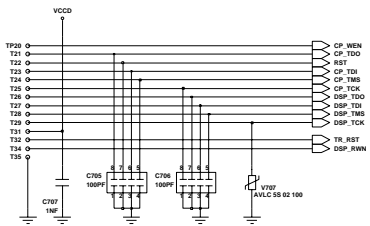
Engineer	<b>SAMSUNG ELECTRONICS</b>		Sheet AS	
Drawn by				
R&D CHK				TITLE:
DWG CTRL CHK				<b>SGH-X450</b>
MFG ENGR CHK				



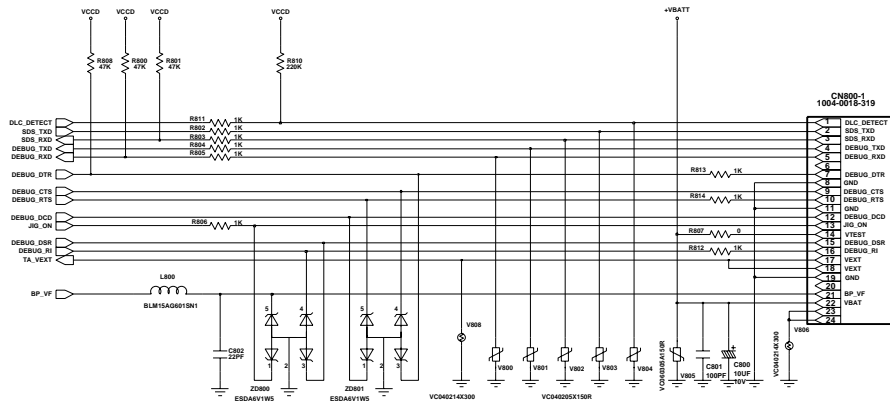


LCD CONNECTOR

JTAG CON

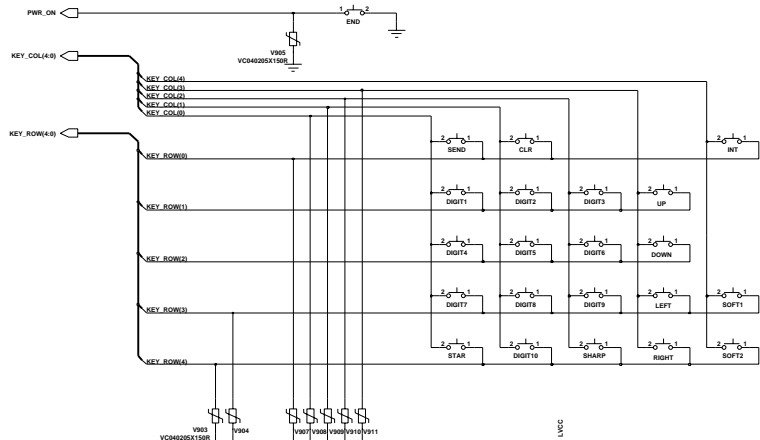


Engineer	SAMSUNG ELECTRONICS		
Drawn by			
RD/CHK	TITLE:	Size AS	
DOC CTRL CHK	SGH-X450		
MFG ENDR CHK			

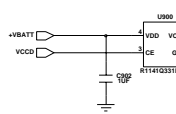


I/F CONNECTOR

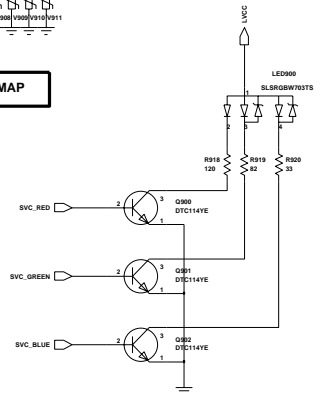
Engineer	SAMSUNG ELECTRONICS		Size A3
Drawn by			
R&D CHK	TITLE:	SGH-X450	
DWG CTRL CHK			
MFG INSRV CHK			



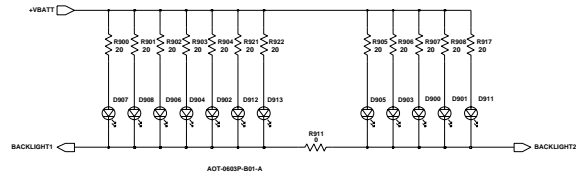
**KEY MAP**



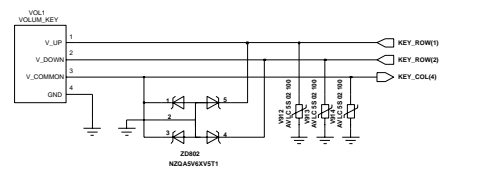
**SERVICE LED**



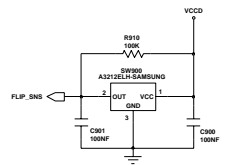
**DOM-GUIDE HOLE**



**KEY LED**

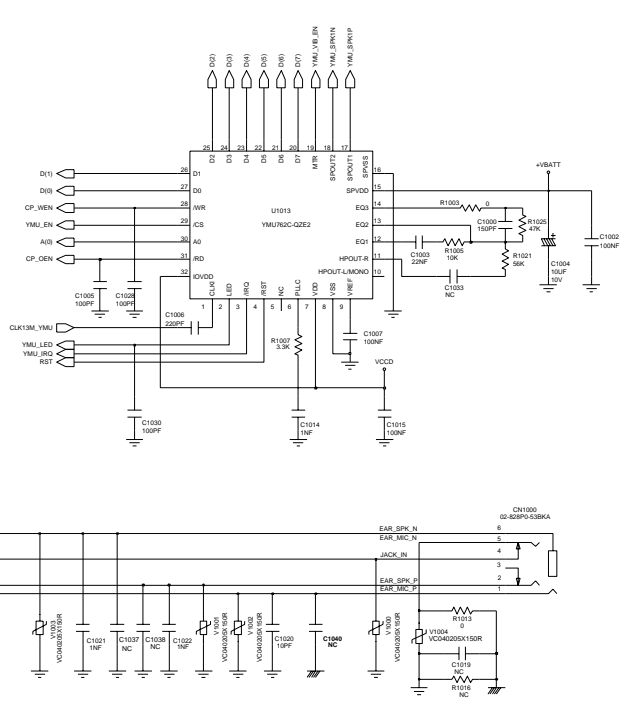
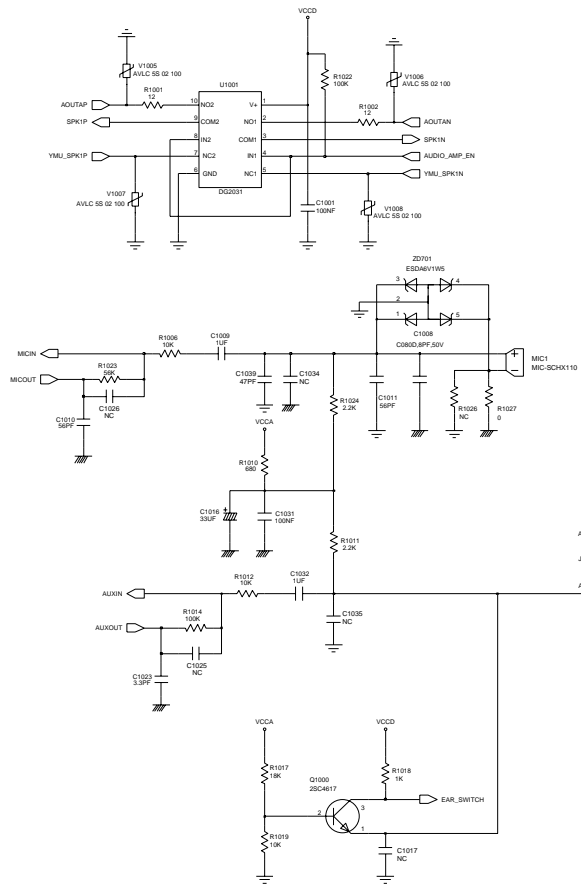


**SIDE KEY**



**HALL IC**

Engineer	<b>SAMSUNG ELECTRONICS</b>		
Drawn by	TITLE: <b>SGH-X450</b>		
RED/CHK	REV: 2.3		
DWG CTRL/CHK	Drawing Number		
MFG INSRV/CHK	Sheet 9 of 10		



AUDIO

Engineer	SAMSUNG ELECTRONICS		
Drawn by	S24		
Rev'd/Chk	TITLE:		
DOC CTRL CHK	SGH-X450		
SFD ENGR LWR			