

Service - Info

Unit type : Chassis DTV 100

KD0002K

No.: 192

Concern:

Unit turns off.

Reason:

Due a extrem change of the beam current, the overload protection in the power supply can respond.

Remedy:

1. Change resistor R104 (on power supply module) from 4,7 Ω to 10 Ω .

Metox 0411 10R 5% number: 0100427

Additional hints:

2. Modified laying of the aquadag ground connector: Connect one end (big jumper) of the ground connector to the plastic holder of the demagnetizing coil.

3. Connect a 10M Ω resistor from the power supply board ground (big heat sink) to the main board ground.

Attention: Don't connect the primary ground (power supply heat sink) with the main board ground.

4. Check the printed wiring around the switch mode transformer.

5. By the software version V4.9, a indefinable switch off can be caused. Please change the software in position IC 1005 (CT-module).

Part number IC 1005

0101238.1

The modification like point 1, 2, 3, 4 and 5 have been already made in the series production.

Modifications reserved !

Date : 20.12.99

Service - Info

Unit type : Chassis DTV 100
Concern (ident-no.) : divers

KD0002K

no.: 198

Concern:

Deficiency of the horizontal deflection.

Reason:

C303 defect.

Remedy:

Exchange the defect condensator and the horizontal transistor T302 (part.no. 0100389).

Change:

Improvement horizontal deflection.

Change condensator C303 with the new version and component it to the underside of the circuit board (The remedy is considerat in the production).

old: C303 = 0,150 μ F/63V

new: C303 = 0,150 μ F/100V

part no.: 0100494

Service - Info

Unit type : Chassis DTV 100

KD0002K

No.: 208

Concern:

Vertical stripes in the picture.

Remedy:

1. Solder a compensation cable to short connector 139 (beside the transformer diode split), put it vertical up and connect it at the bottom of the cable anode with a cable tie. Take it between the cooling plats of the audio- / horizontal deflection to the tuner and solder it to the tuner case.

2. Solder three capacitors (47pF) at the soldering side from pin 2, pin 3 and pin 4 to pin 1 at connector 706 (Analog Video Module).
Attention: The Capacitors can be componented in SMD style at the Analog-Video-Module and the modification isn't then necessary.

Part number: Capacitor 47pF 0003955

The modifications like point 1 and 2 are already accomplished in series production.

Modifications reserved!



Service - Info

Unit type : Chassis DTV 100

KD0002K

No.: 229

Concern:

Faulty horizontal synchronizing at AV mode.

Remedy:

From software V 5.3 up it's possible to equalize the horiz. synchronizing in the service mode.

Service-Mode:

Simultaneously press and then release the red and blue button on the remote control. Simultaneously press within five seconds the buttons "Programme -" and "Programme +" at the local control panel. The main service menu is displayed on the screen with an info box and the buttons which can be selected using the appropriate colour button on the remote controle device.

SERVICE	
Softwareversion	5.3
Eeprom type	00
Flags	00.0C.3F.1F

GEO	VIDEO	CODEINIT	SETTINGS
-----	-------	----------	----------

After pressing the blue button on the remote control, a new service menu appears on the screen :

SETTINGS	
∇Freezetime	< 35 >
NVM-Service	>
Equalizer	>

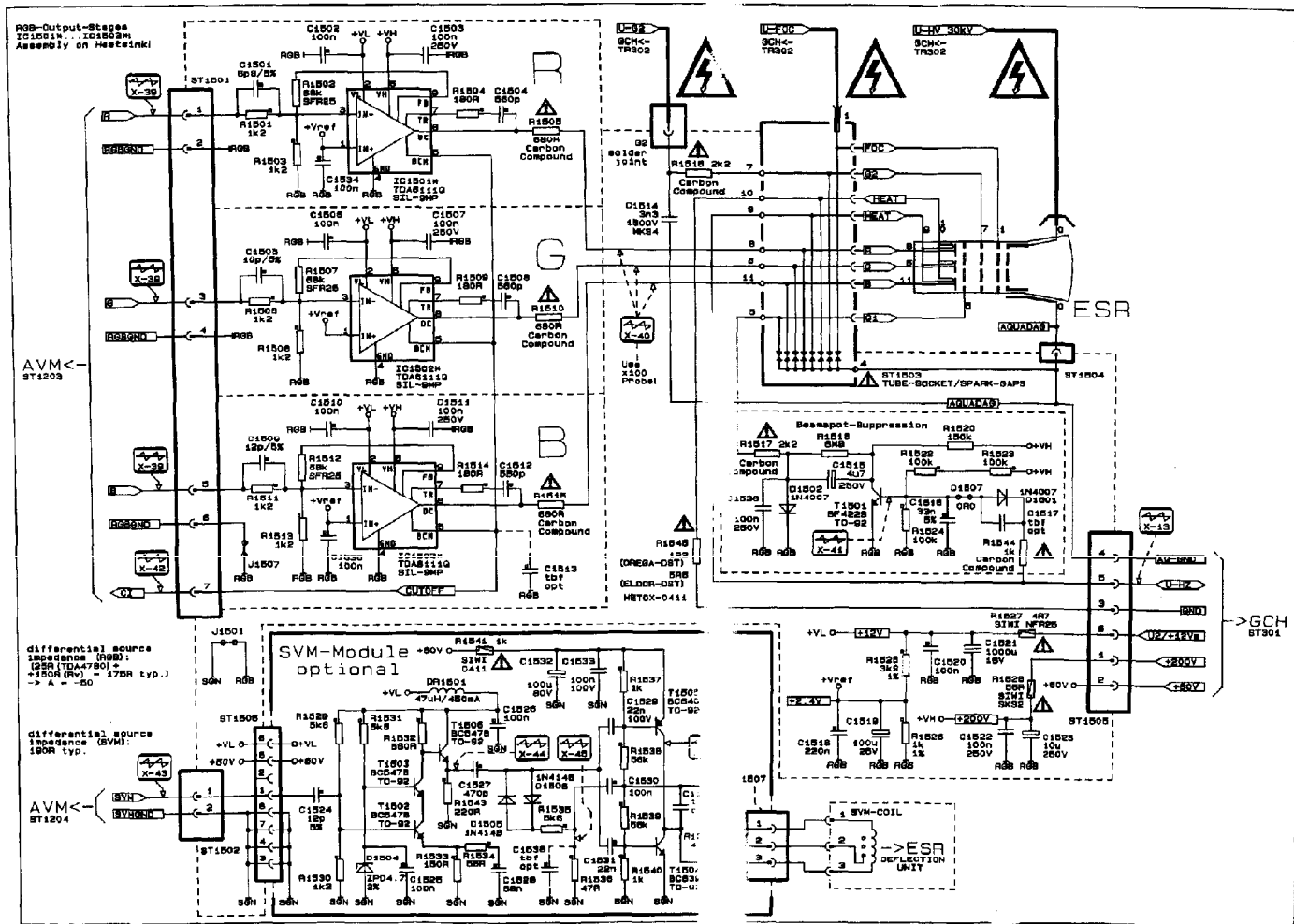
Then adjust with the tuning parameter „Freezetime“ the horz. synchronizing best possible (Value 30 - 40). The tuning parameter can be selected with the buttons “↑ / ↓”, and changed with the buttons “← / →” on the remote control. **Attention: connect the video recorder to the TV set and playback a videotape during the alignment.** After the alignment press the button “OK” to store it. Press the button “TV” to leave the service mode.

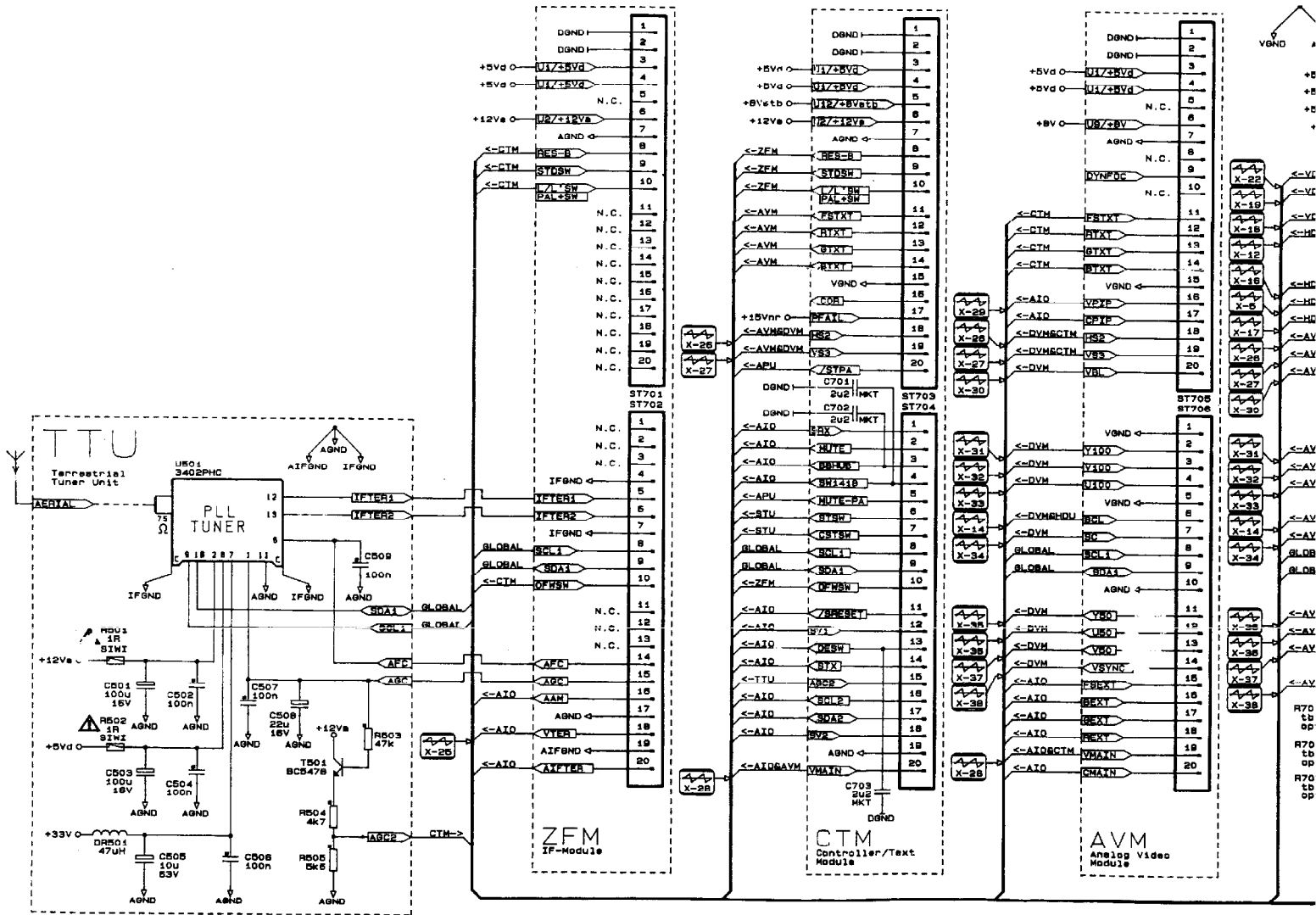
Attention: If the software version is lower than version V5.3 it's necessary to take an update. Therefore the IC 27C2001 (part no.: 101238.001) in position 1005 has to be changed.

Modifications reserved !

Schaltbild Bildrohrplatte für 4:3 und 16:9/28"
 Schematic diagram picture board for 4:3 and 16:9/28"

Vornr.:
 Key no.:

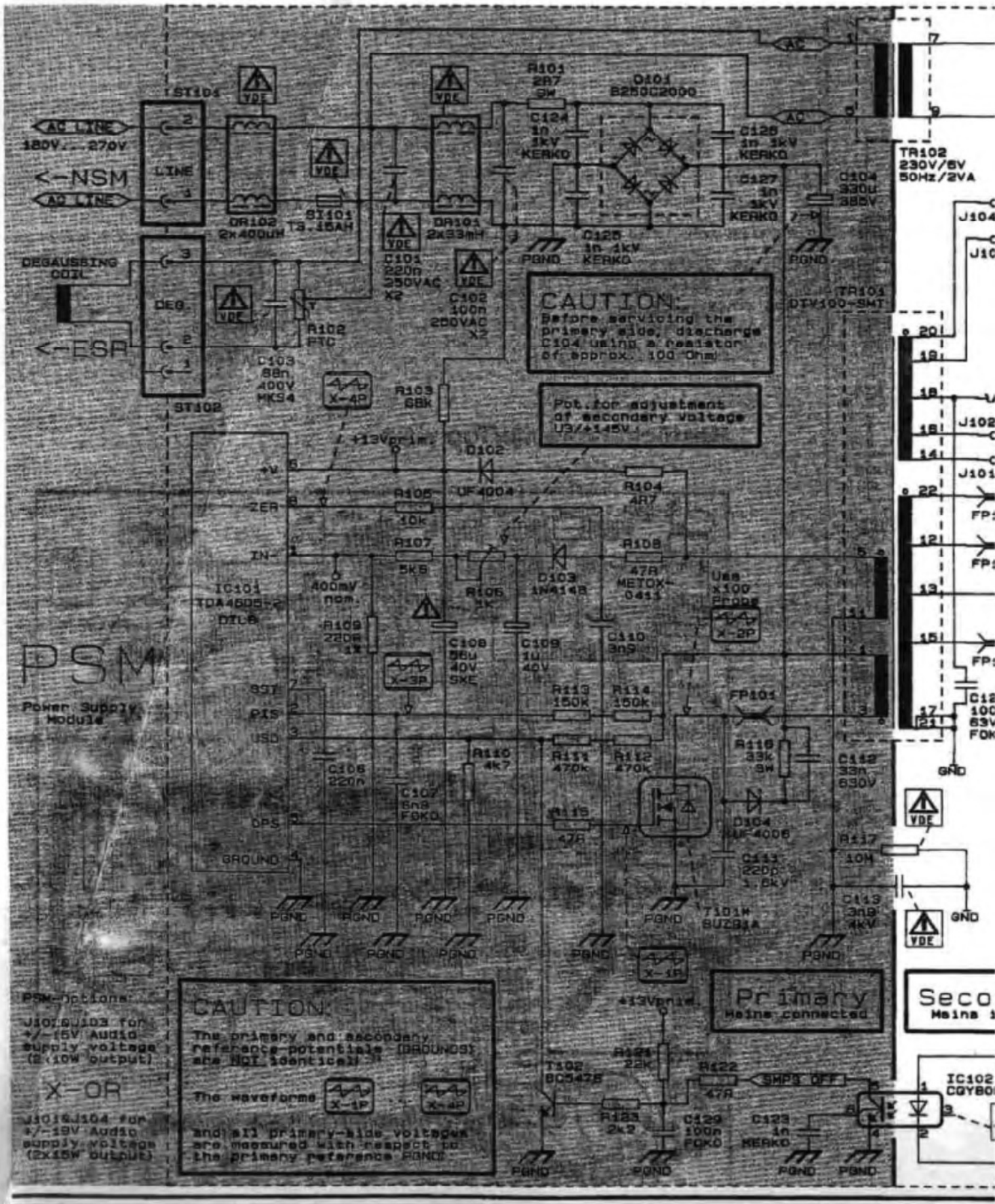




X-15 10V/div 10us/div 73V X-16 500mV/div 10us/div 3.7V X-17 1V/div 10us/div 5.4V X-18 CH2 1V/div 2ms/div 2.0V X-19 2.0V X-20 2.0V X-21 2.0V X-22 2.0V X-23 2.0V X-24 2.0V X-25 2.0V X-26 2.0V X-27 2.0V X-28 2.0V X-29 2.0V X-30 2.0V X-31 2.0V X-32 2.0V X-33 2.0V X-34 2.0V X-35 2.0V X-36 2.0V X-37 2.0V X-38 2.0V X-39 2.0V X-40 2.0V X-41 2.0V X-42 2.0V X-43 2.0V X-44 2.0V X-45 2.0V X-46 2.0V X-47 2.0V X-48 2.0V X-49 2.0V X-50 2.0V X-51 2.0V X-52 2.0V X-53 2.0V X-54 2.0V X-55 2.0V X-56 2.0V X-57 2.0V X-58 2.0V X-59 2.0V X-60 2.0V X-61 2.0V X-62 2.0V X-63 2.0V X-64 2.0V X-65 2.0V X-66 2.0V X-67 2.0V X-68 2.0V X-69 2.0V X-70 2.0V X-71 2.0V X-72 2.0V X-73 2.0V X-74 2.0V X-75 2.0V X-76 2.0V X-77 2.0V X-78 2.0V X-79 2.0V X-80 2.0V X-81 2.0V X-82 2.0V X-83 2.0V X-84 2.0V X-85 2.0V X-86 2.0V X-87 2.0V X-88 2.0V X-89 2.0V X-90 2.0V X-91 2.0V X-92 2.0V X-93 2.0V X-94 2.0V X-95 2.0V X-96 2.0V X-97 2.0V X-98 2.0V X-99 2.0V X-100 2.0V

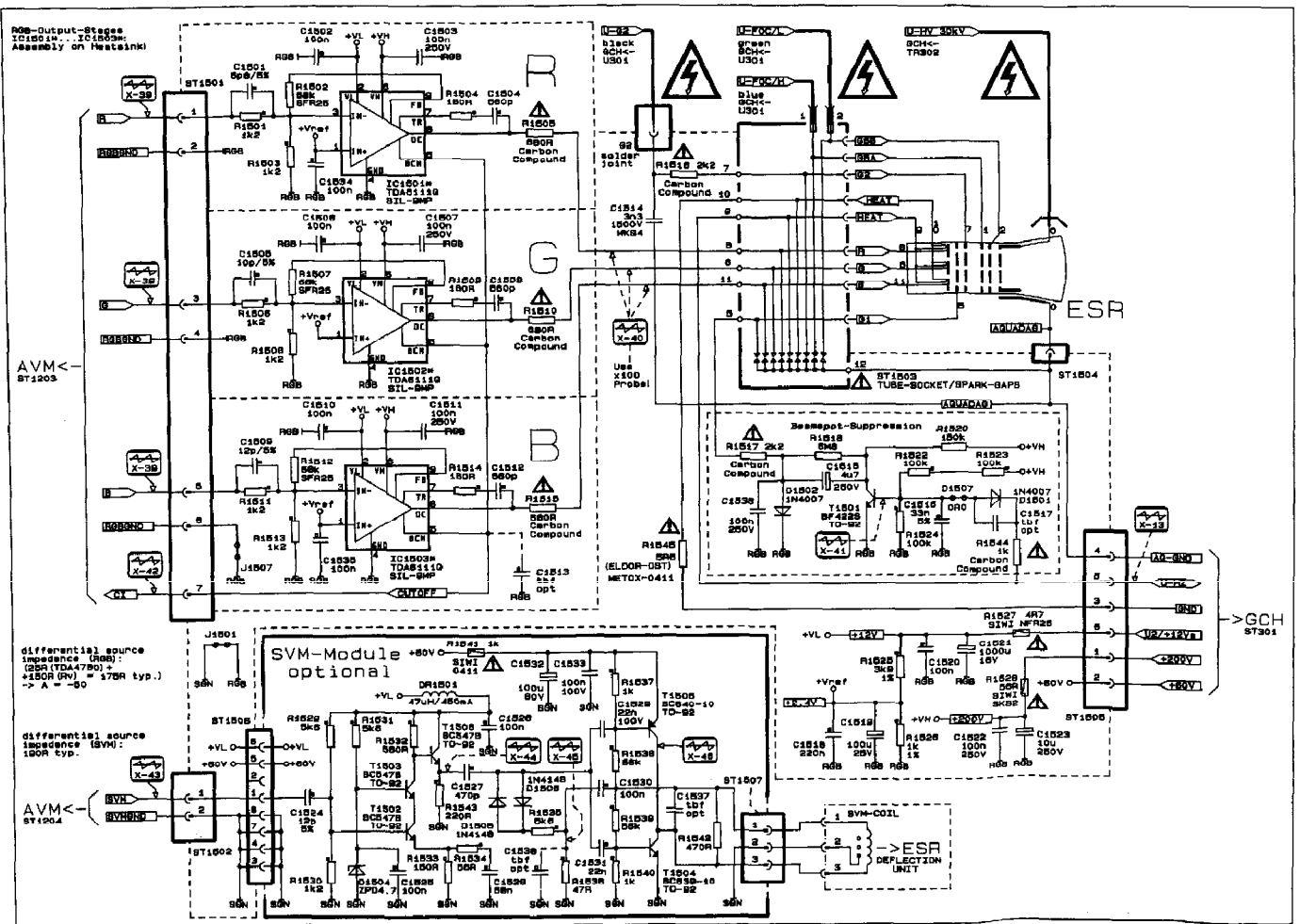
Schaltbild Grundchassis/Netzteil

Schematic diagram main chassis/power supply



Schaltbild Bildrohrplatte für 16:9/32"
 Schematic diagram picture board for 16:9/32"

Vornr.: 15..
 Key no.: 15..



SVM-Platine