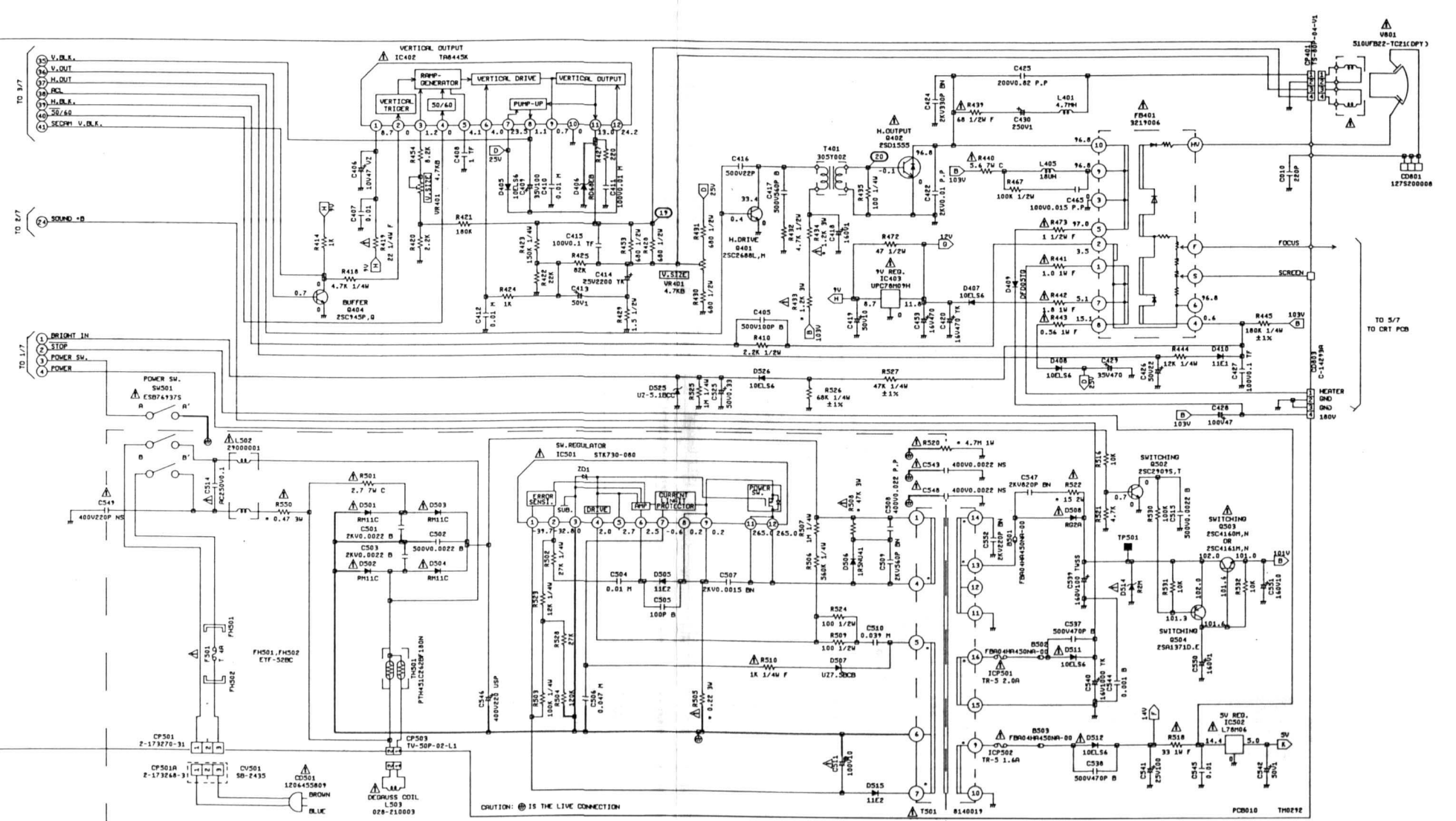
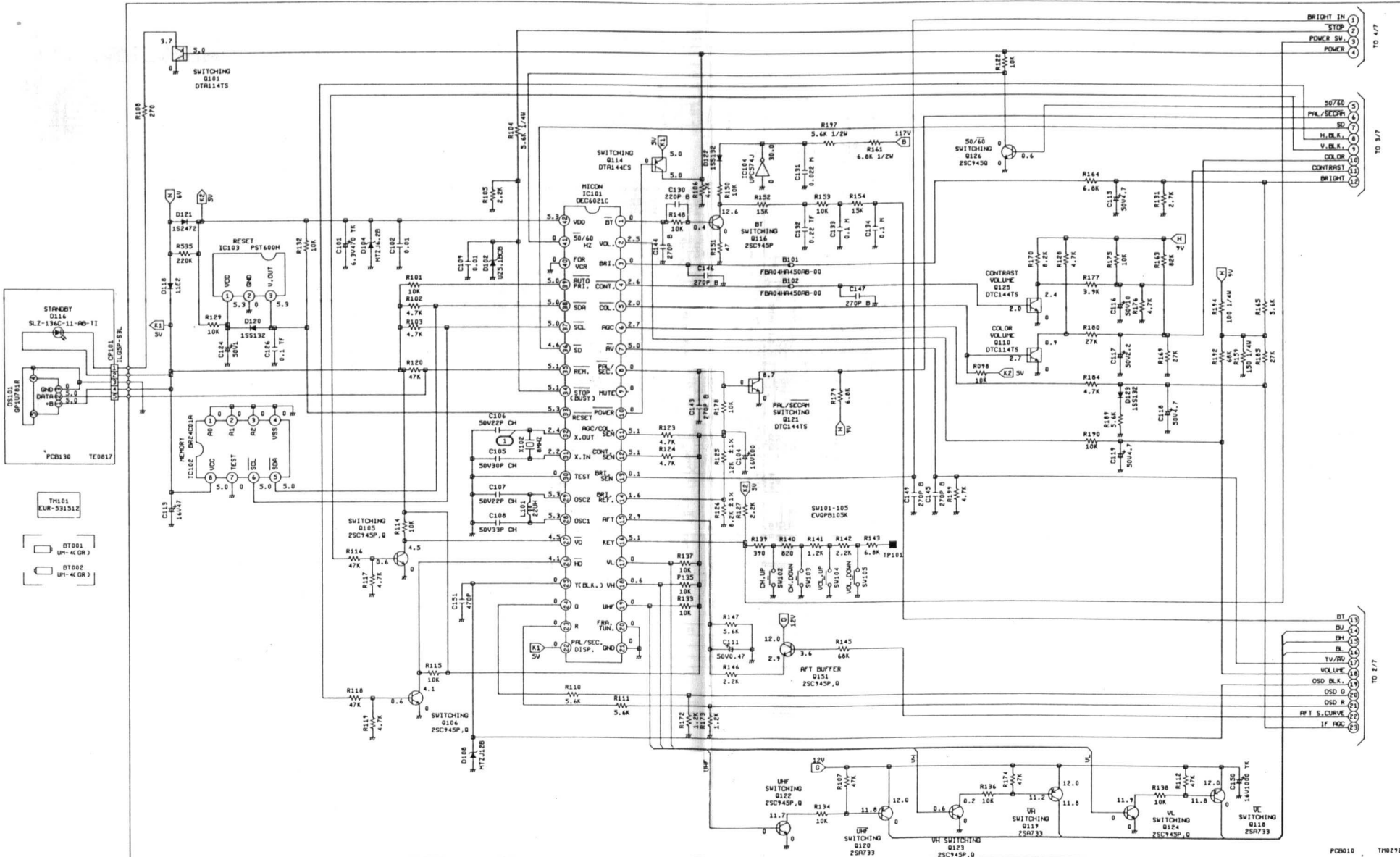


CAUTION: DIGITAL TRANSISTOR



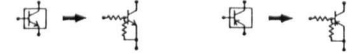
DWG. NO. F-7140Z3



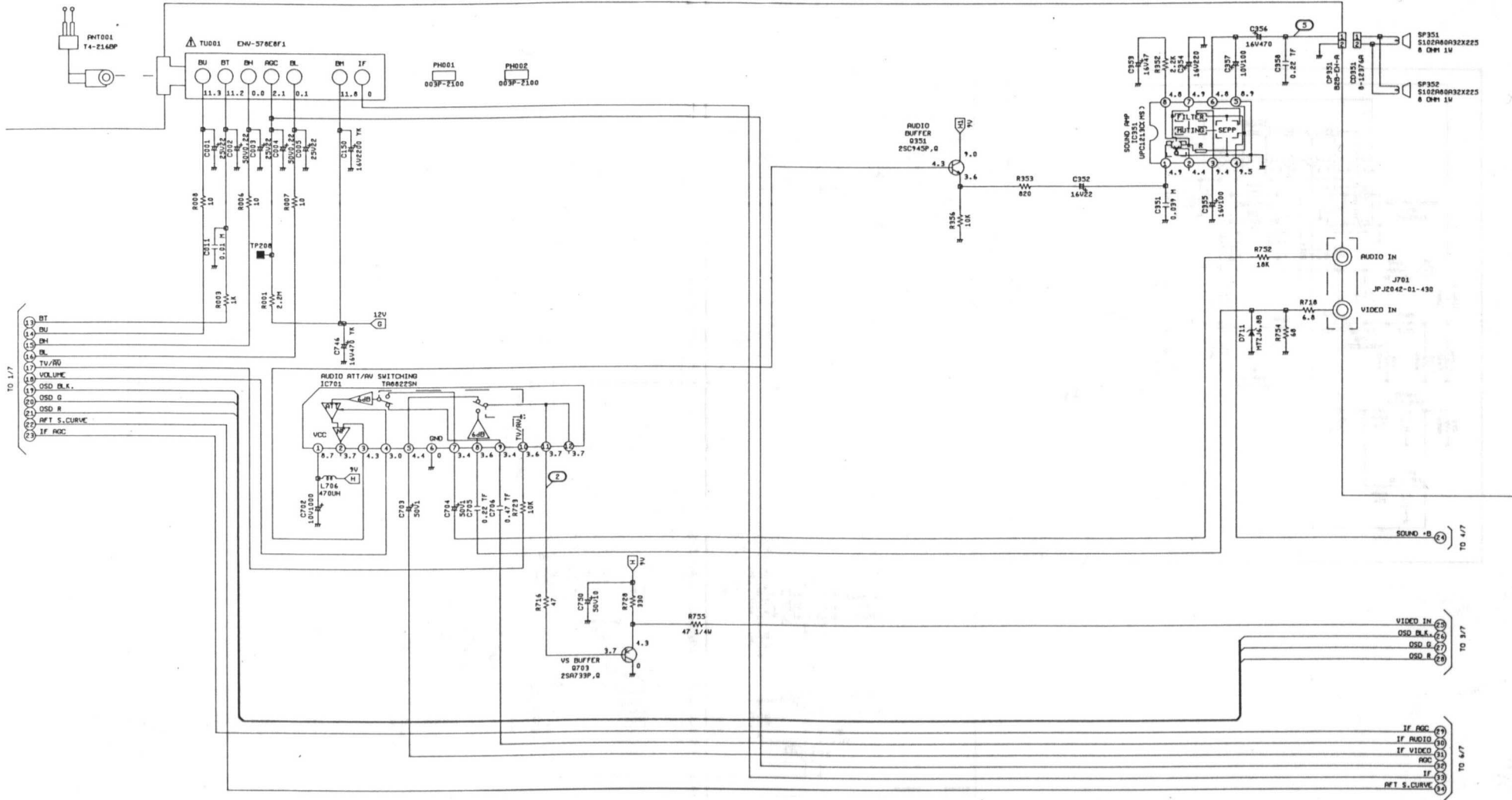


TO 4/7
TO 3/7
TO 2/7
PCB010 TH0212

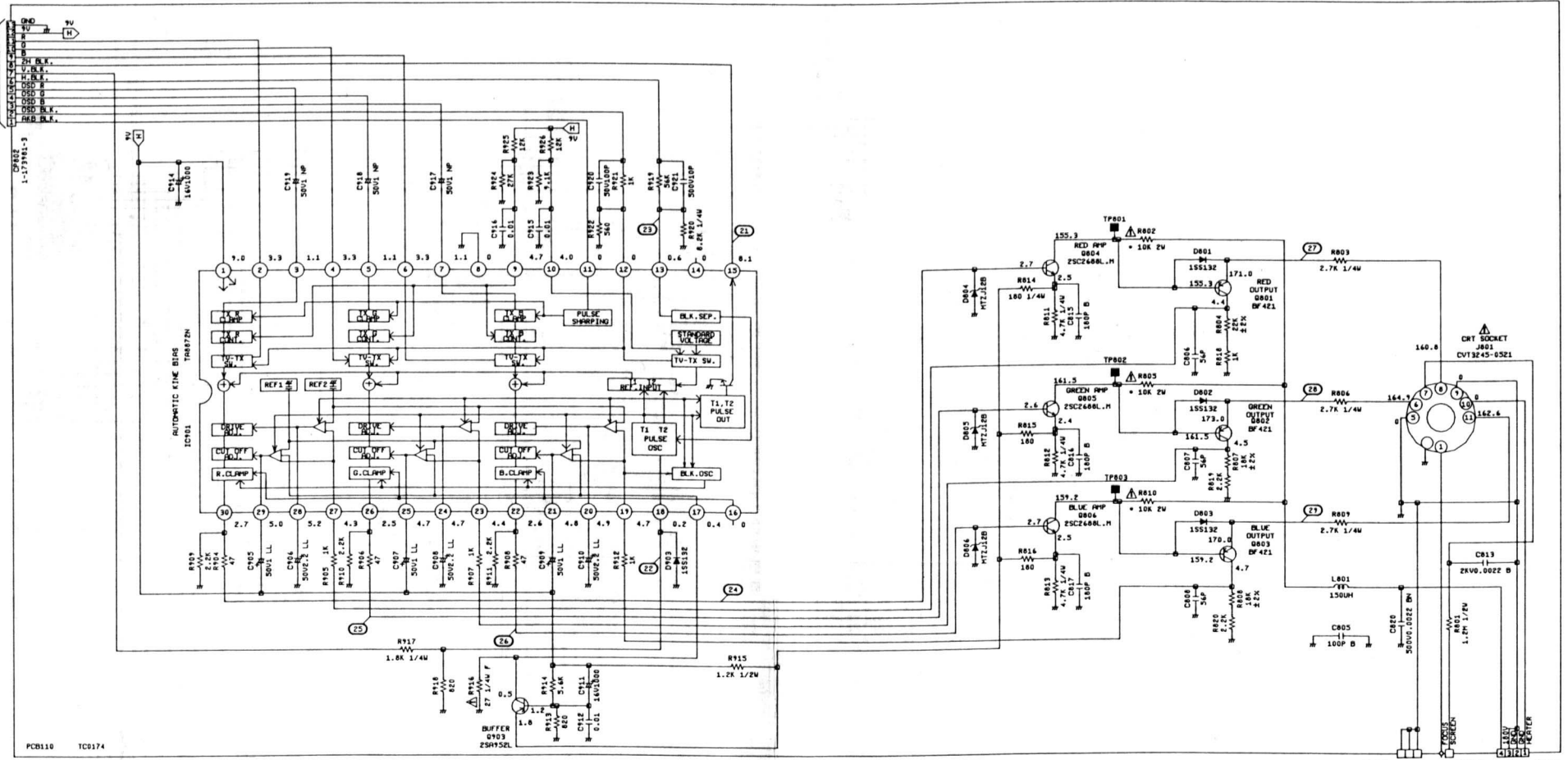
CAUTION: DIGITAL TRANSISTOR



DWG. NO. F-7140Z1



TO 1/7
TO MAIN PCB



PCB110 IC9174

DWG. NO. F-7140Z5 5/7

CP801 TS-80P-03-V1
CP803 803P-1100
CP807 T10-X04P-21

TO 4/7

