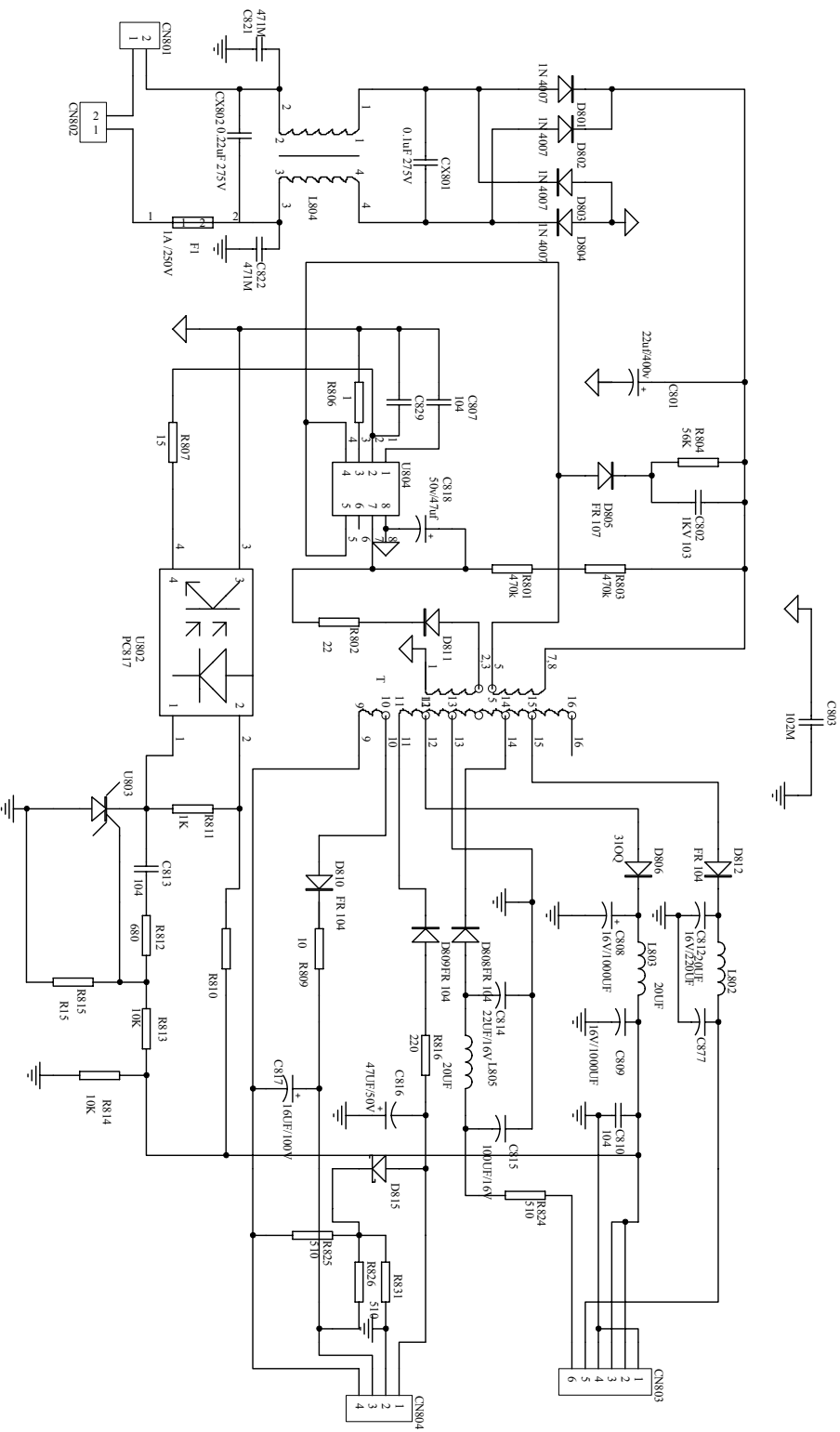


Power Board 10004C VER24



1 2 3 4 5 6

Title		Revision	
Size	Number		
B			
Date:	24-Feb-2006	Sheet	of
File:	F:\资料\PCB\10004C.DDB	Drawn By:	6