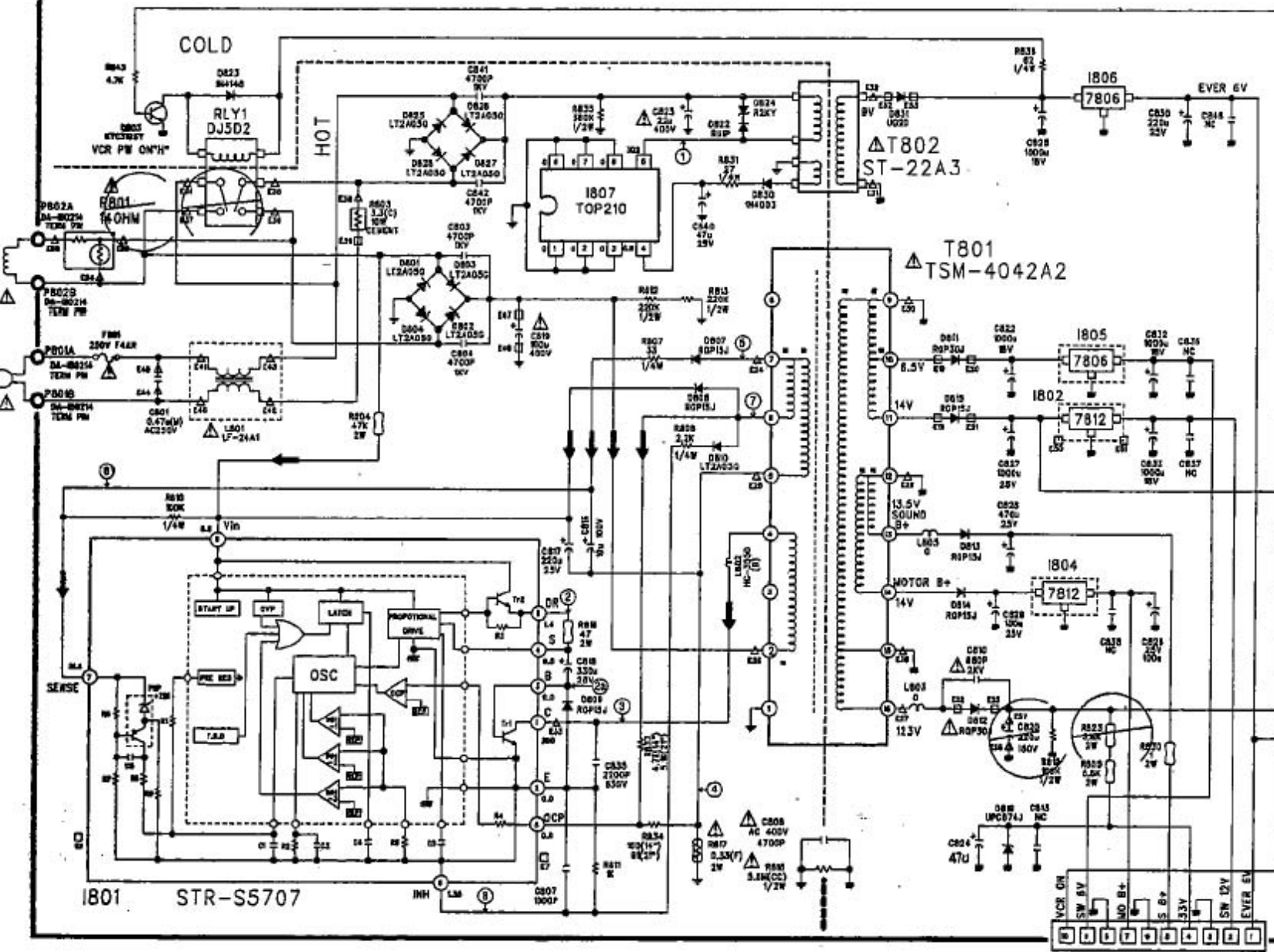


# POWER CHASSIS (PS) (Vers. 2)



I801 STR-S5707

VCR ON  
SW 5V  
MD B+  
S.B+  
3.3V  
SW 12V  
EVER EV