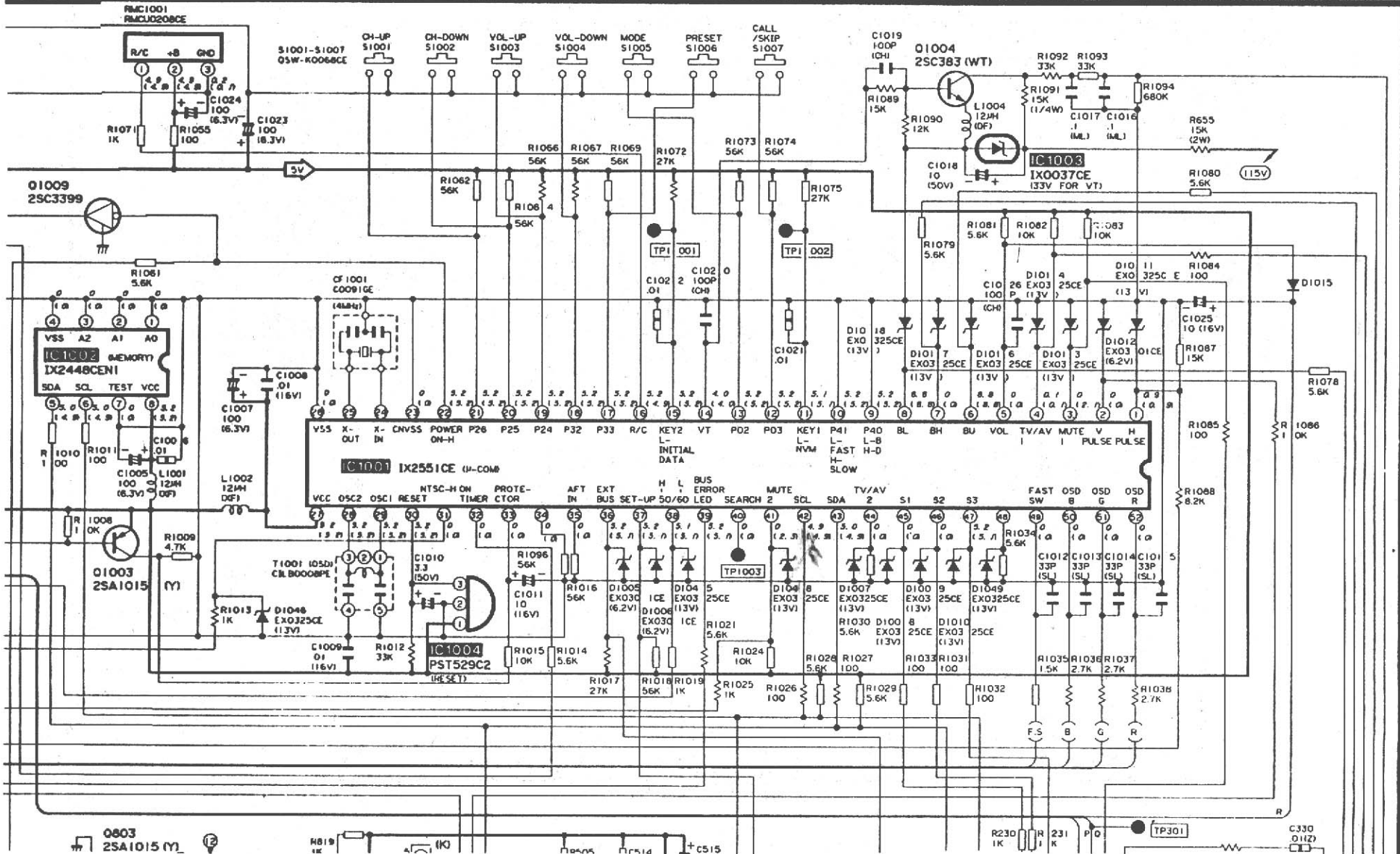
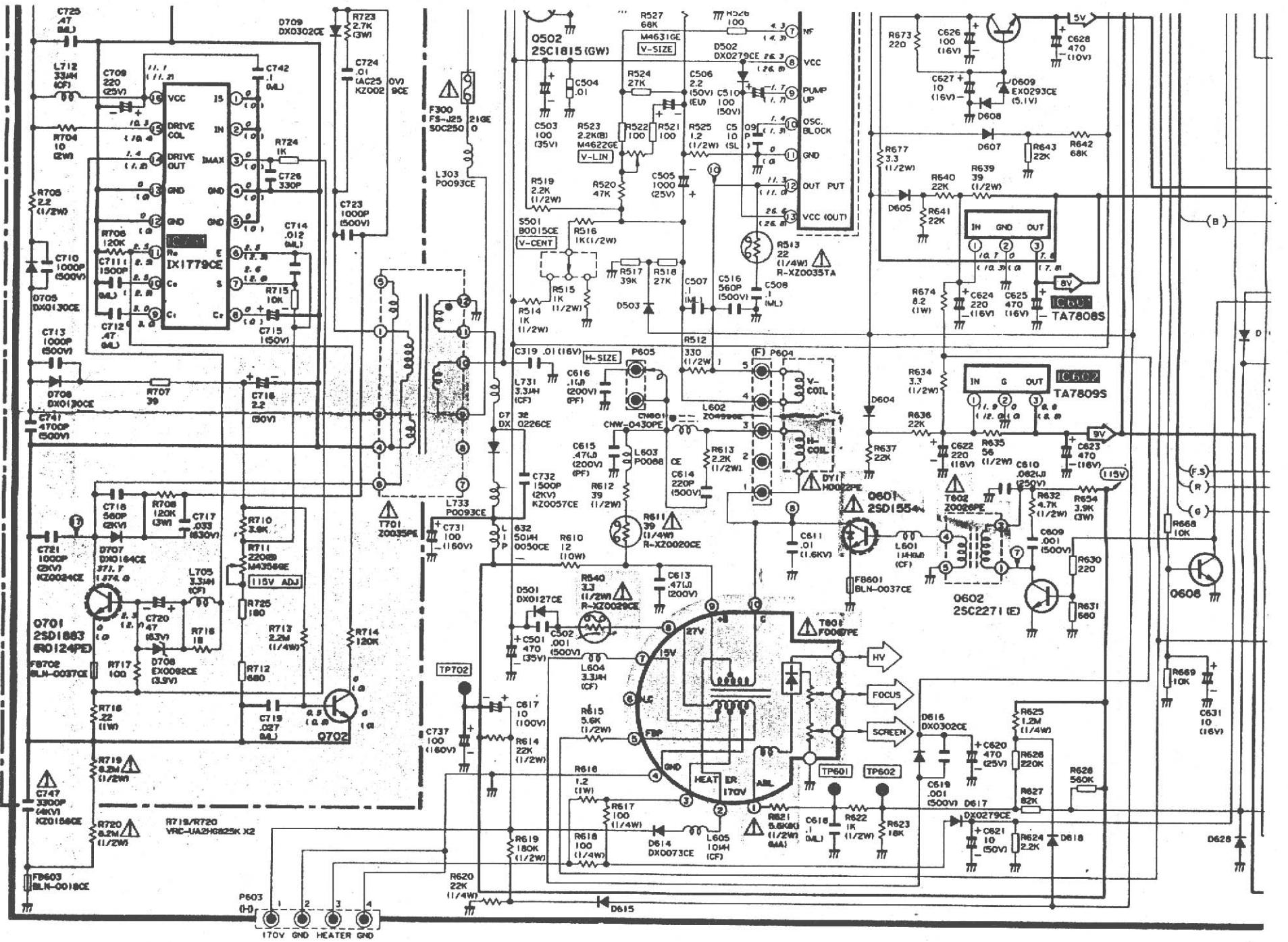
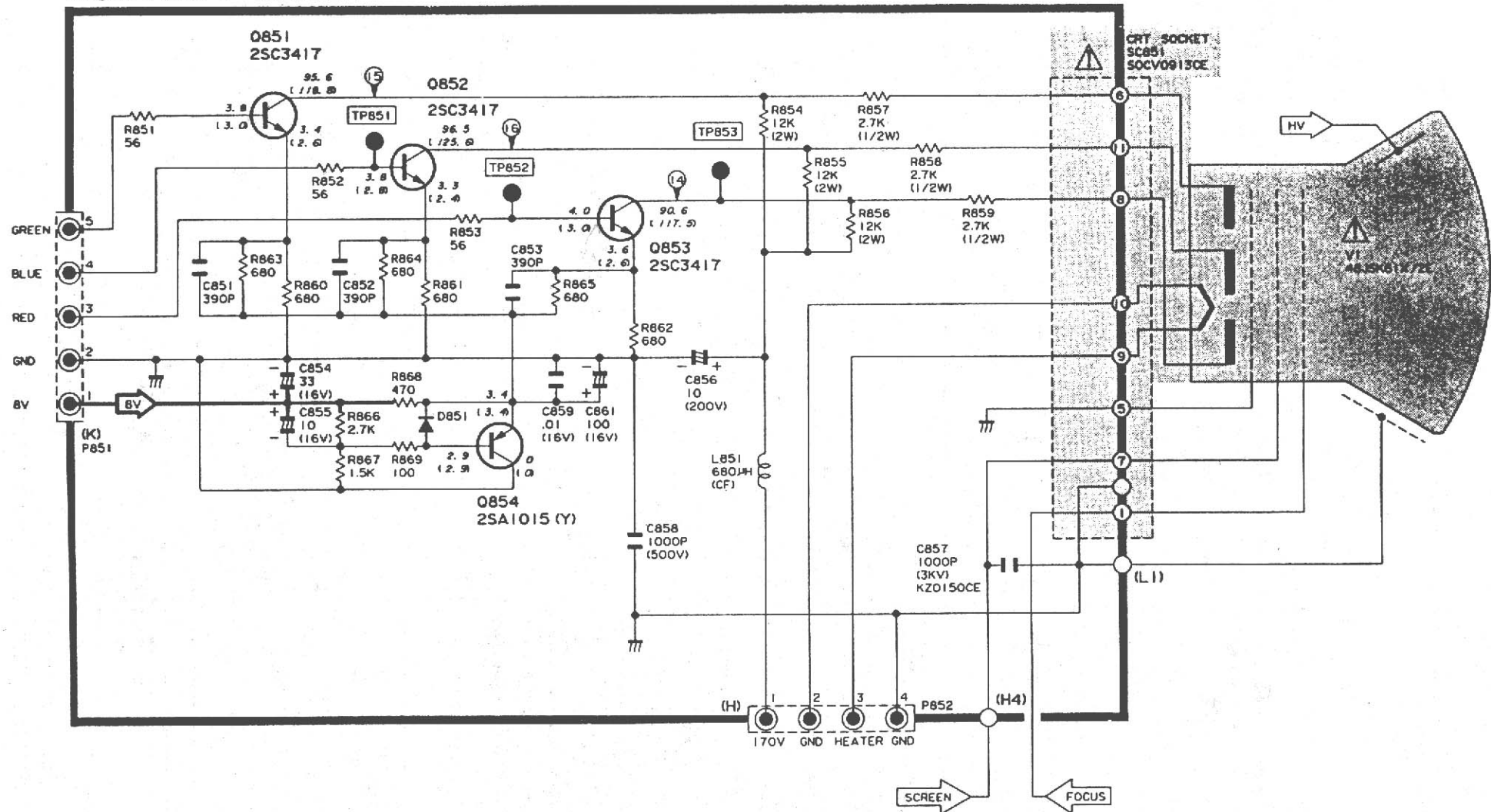


PWB-A (MAIN UNIT) DUNTK8615WEV0

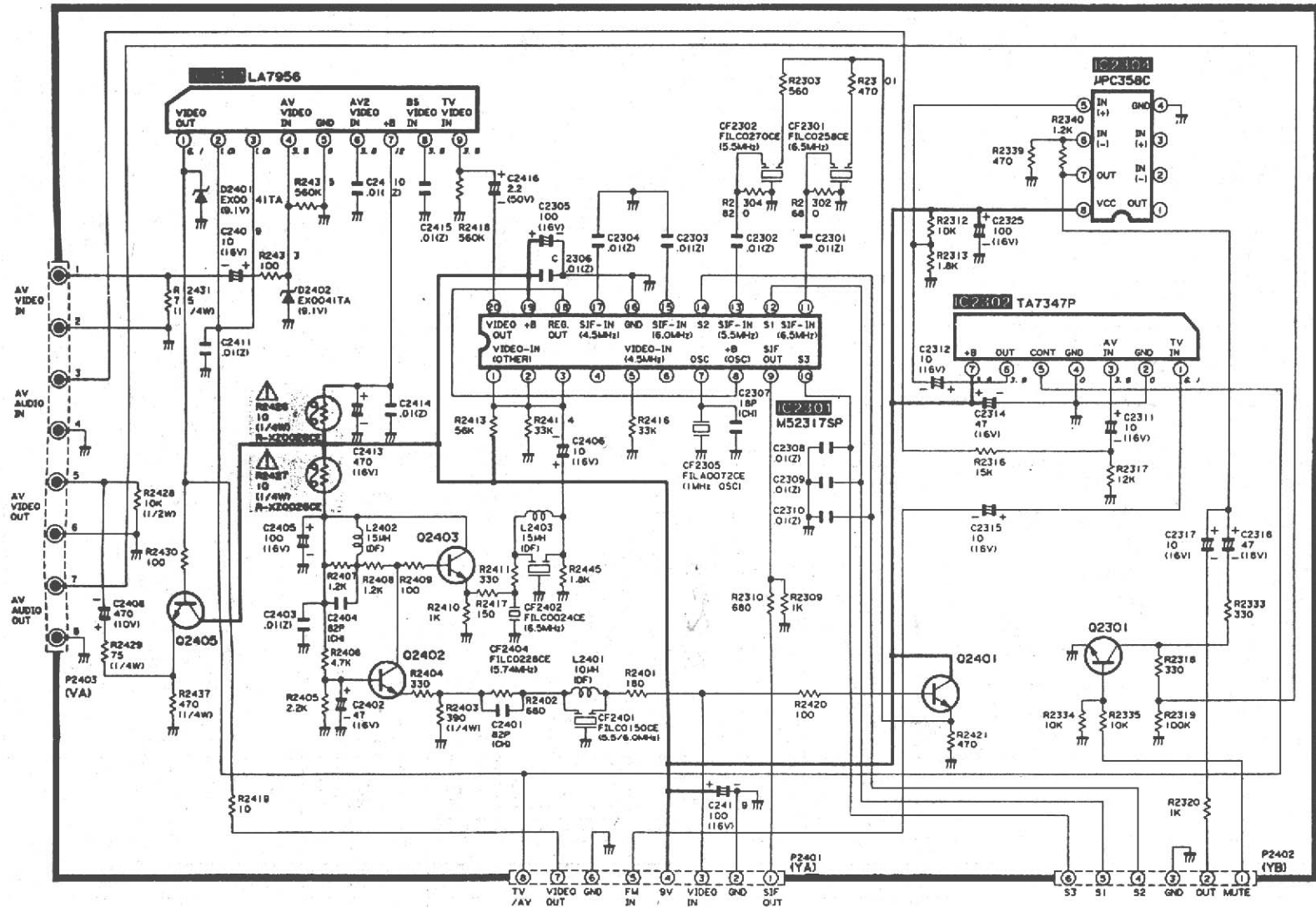




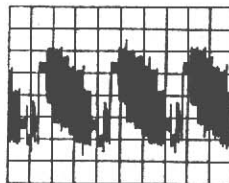
PWB-C (CRT UNIT) DUNTK8446WEV2



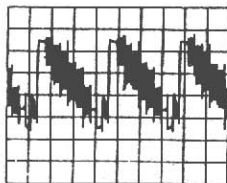
PWB-D (AV UNIT) DUNTK8599WEV1



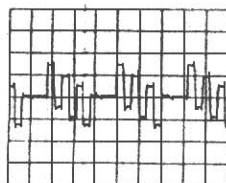
WAVE FORMS



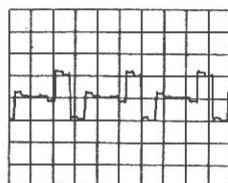
① 2.2 Vp-p (H)



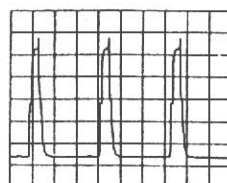
② 1.0 Vp-p (H)



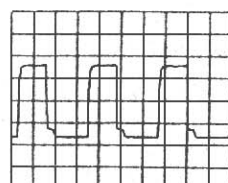
③ 1.3 Vp-p (H)



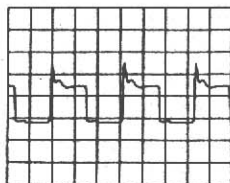
④ 1.0 Vp-p (H)



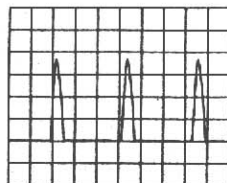
⑤ 5.0 Vp-p (H)



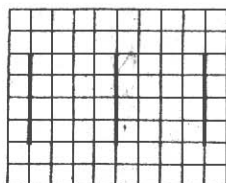
⑥ 3.2 Vp-p (H)



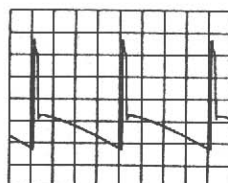
⑦ 140 Vp-p (H)



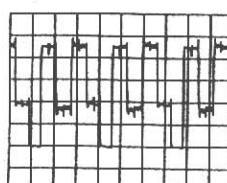
⑧ 925 Vp-p (H)



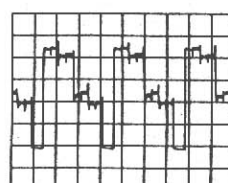
⑨ 4.1 Vp-p (V)



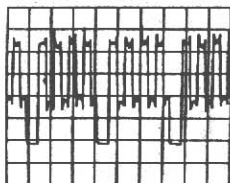
⑩ 50 Vp-p (V)



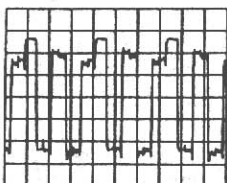
⑪ 4.5 Vp-p (H)



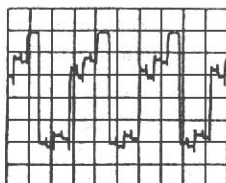
⑫ 4.5 Vp-p (H)



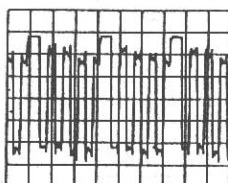
⑬ 4.5 Vp-p (H)



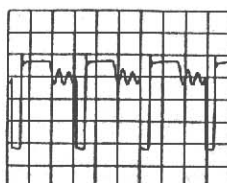
⑭ 100 Vp-p (H)



⑮ 100 Vp-p (H)



⑯ 100 Vp-p (H)



⑰ 440 Vp-p

CHASSIS LAYOUT

