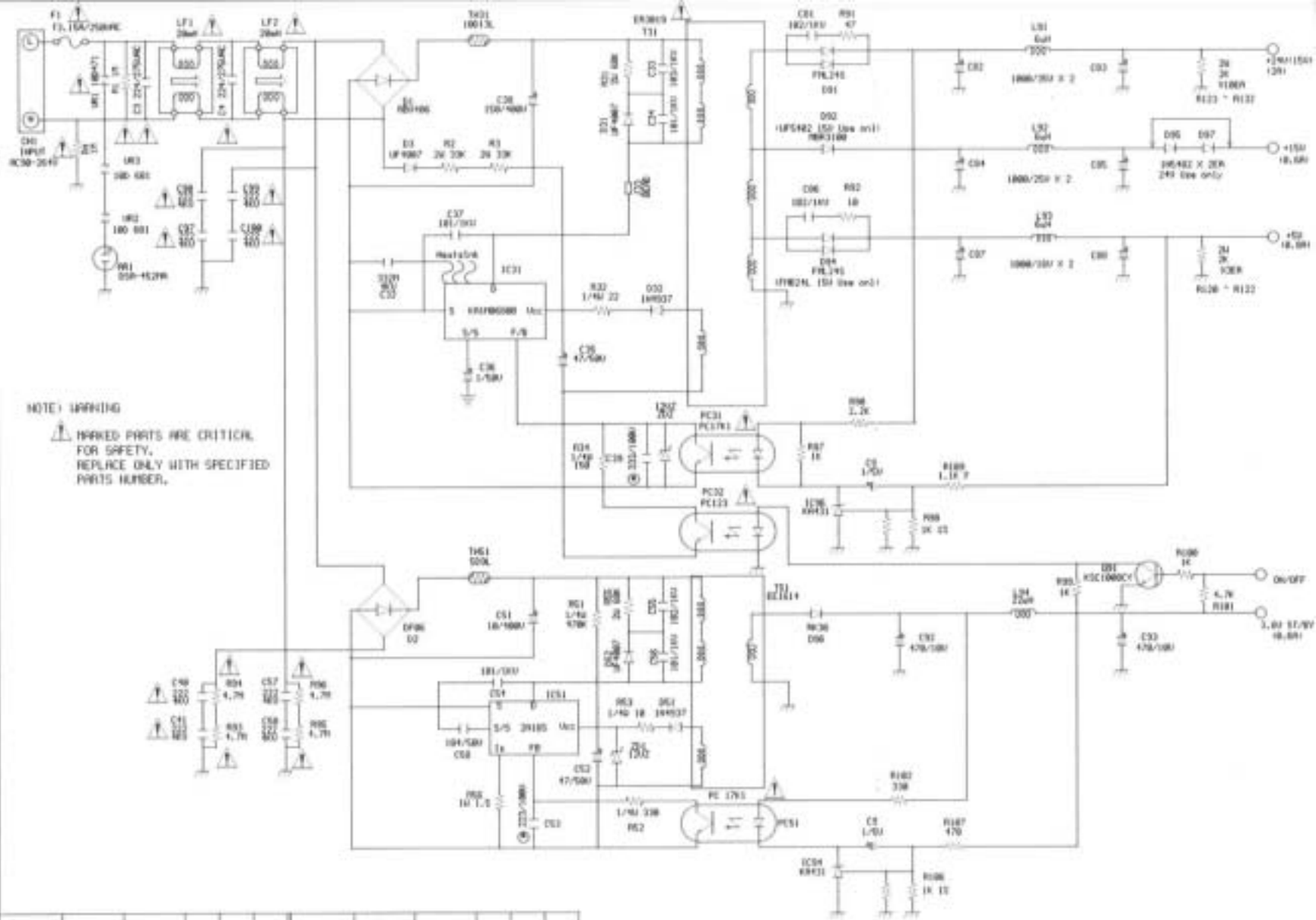


SCHEMATIC DIAGRAM Power board



NOTE: WARNING
 ⚠️ MARKED PARTS ARE CRITICAL FOR SAFETY. REPLACE ONLY WITH SPECIFIED PARTS NUMBER.

Date	Before Rev.	After Rev.	Comp.	Check	Rev.	Date	Before Rev.	After Rev.	Comp.	Check	Rev.