

4-2-2 Bottom View

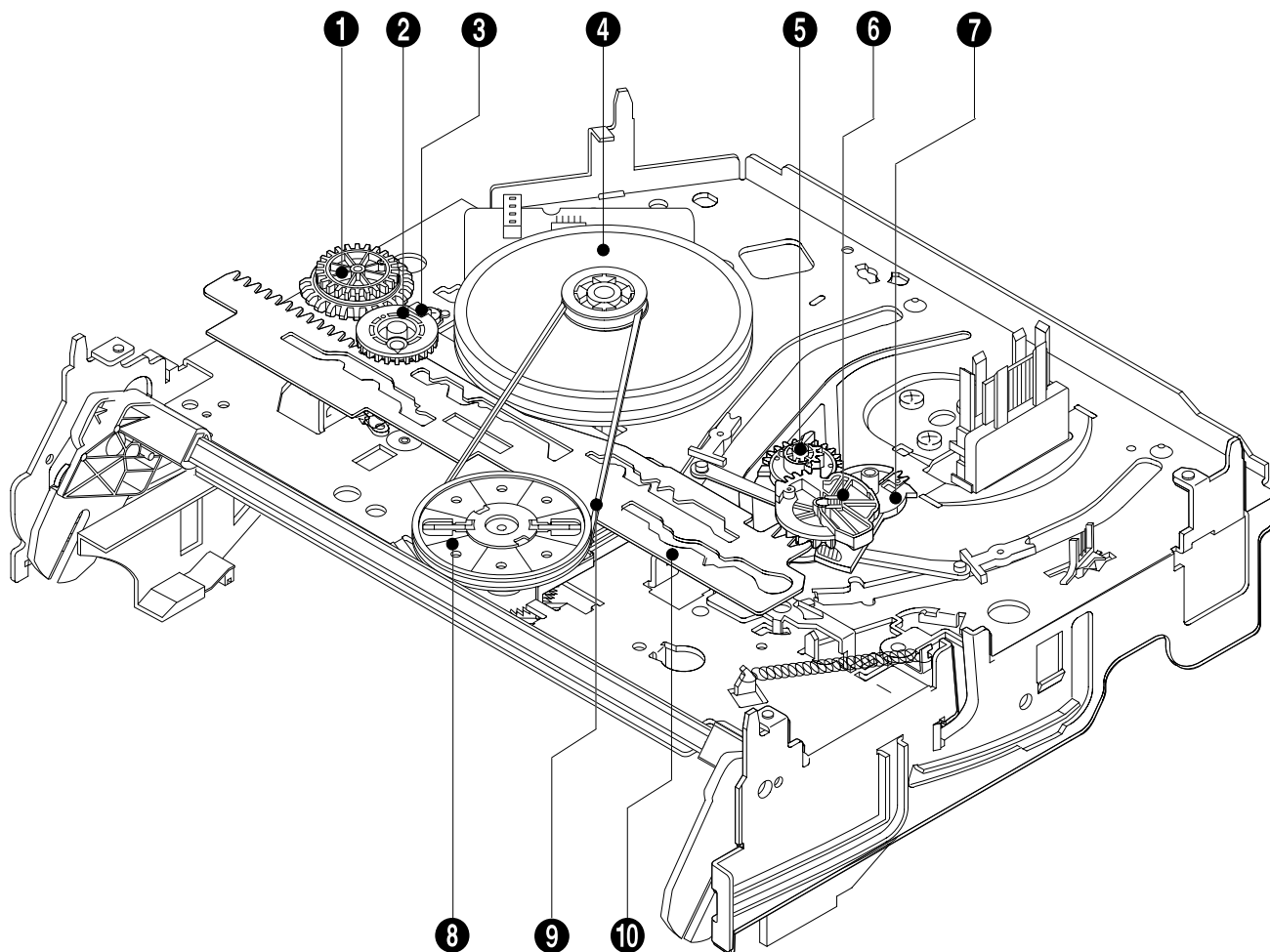


Fig. 4-8 Bottom Parts Location

- ❶ GEAR JOINT 1
- ❷ GEAR JOINT 2
- ❸ BRACKET GEAR
- ❹ MOTOR CAPSTAN ASS'Y
- ❺ LEVER T LOAD ASS'Y
- ❻ GEAR LOADING DRIVE
- ❼ LEVER S LOAD ASS'Y
- ❽ HOLDER CLUTCH ASS'Y
- ❾ BELT PULLEY
- ❿ SLIDER CAM