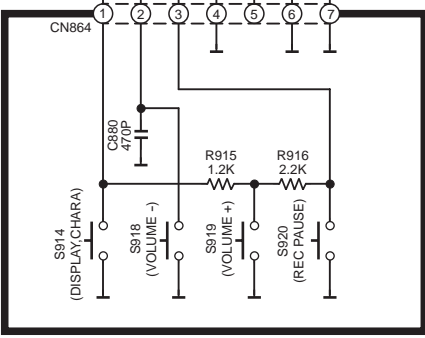
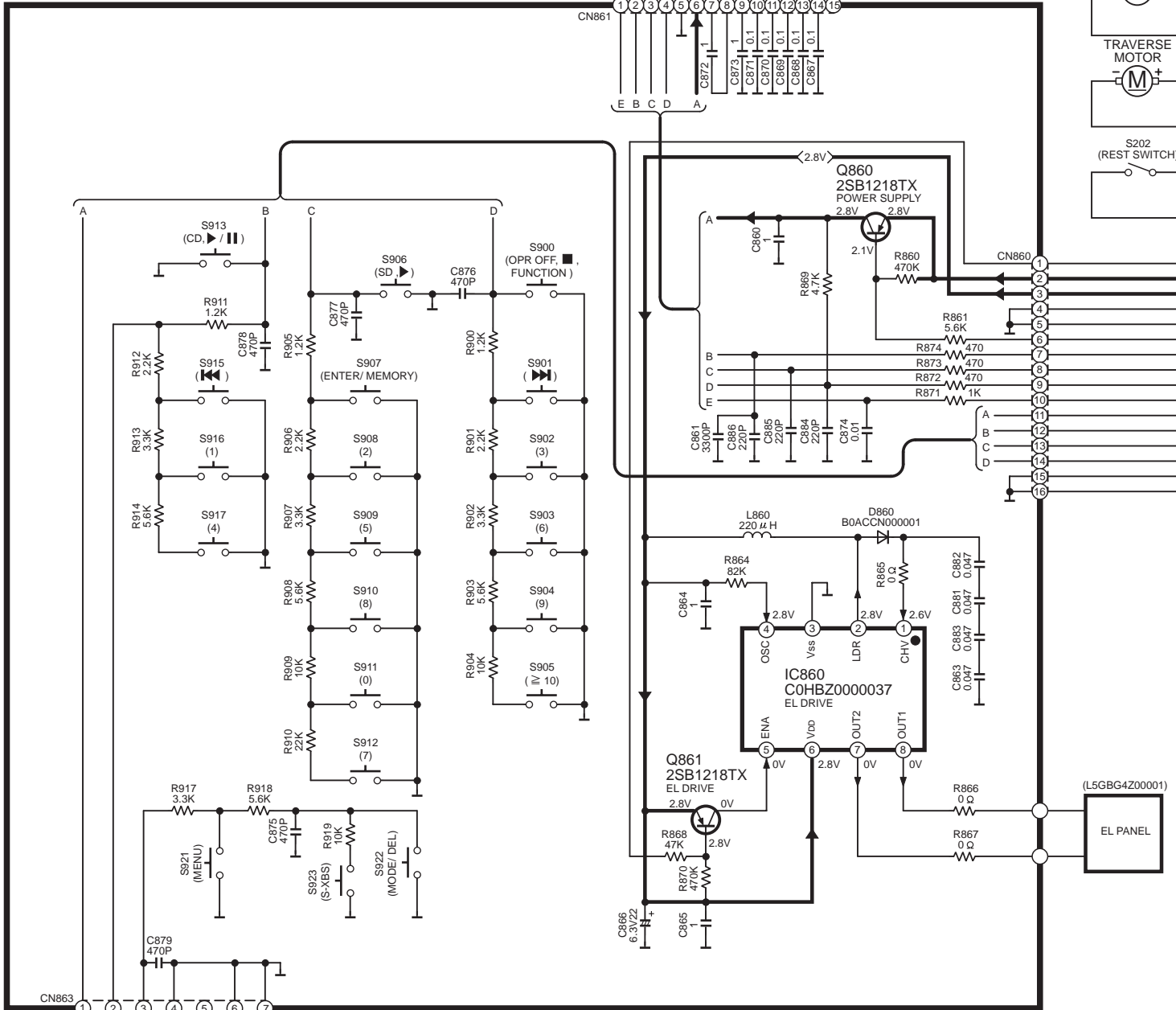


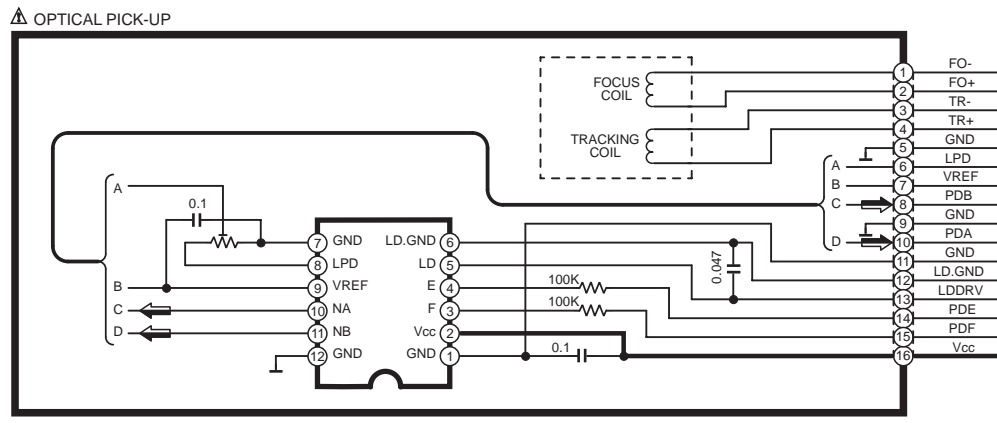
SCHEMATIC DIAGRAM-1

NOTE:
The number which noted at the connectors on the schematic diagram as "SCHEMATIC DIAGRAM-1" or "SCHEMATIC DIAGRAM-2" indicates the schematic diagram serial number located on the left corner in the schematic diagram.

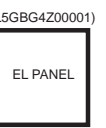
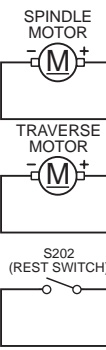
E OPERATION(1) CIRCUIT



D OPERATION(2) CIRCUIT



OPTICAL PICK-UP

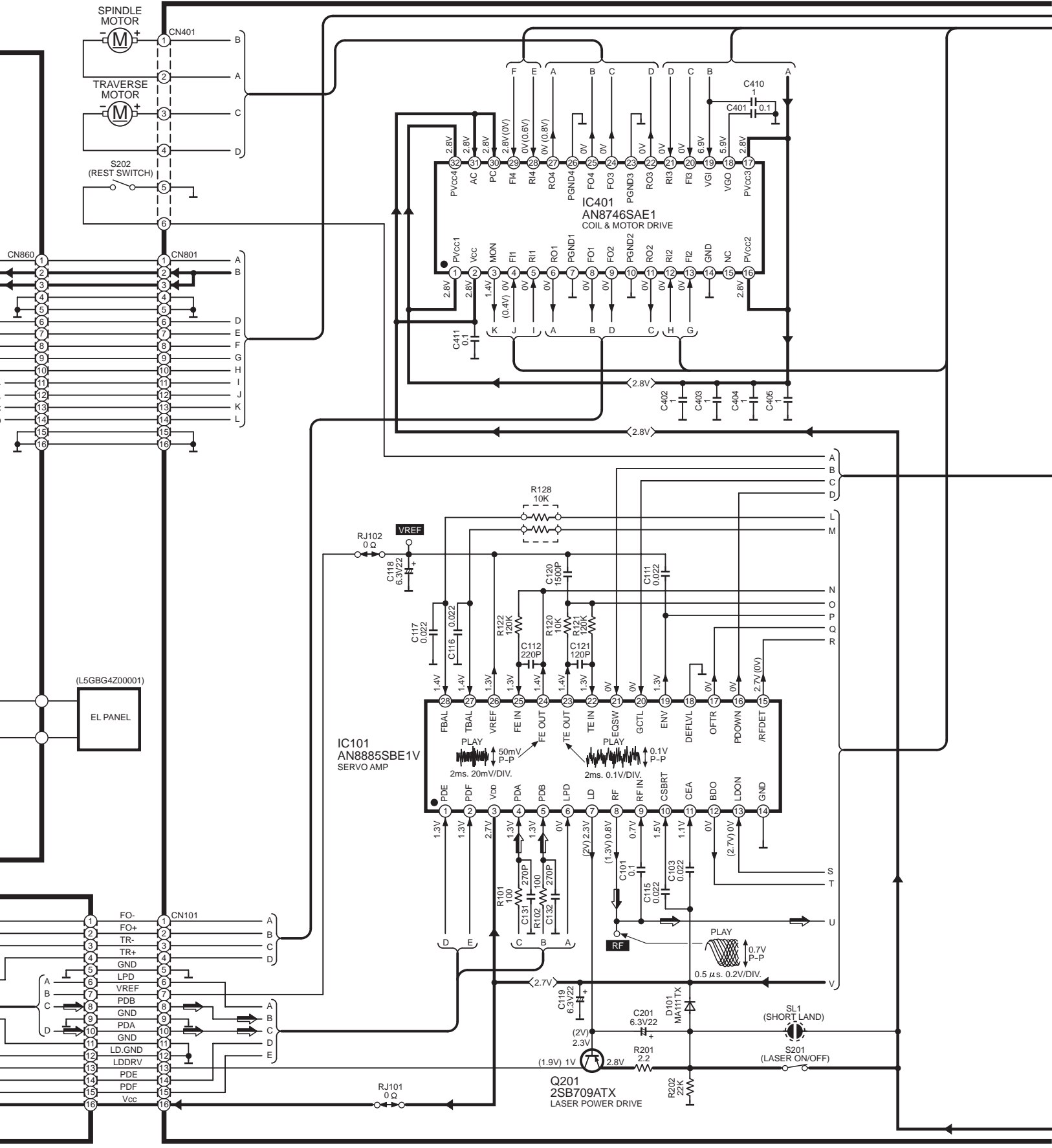


H
G
F
E
D
C
B
A

1 2 3 4 5 6 7 8 9 10 11 12 13 14 15 16

B MAIN CIRCUIT

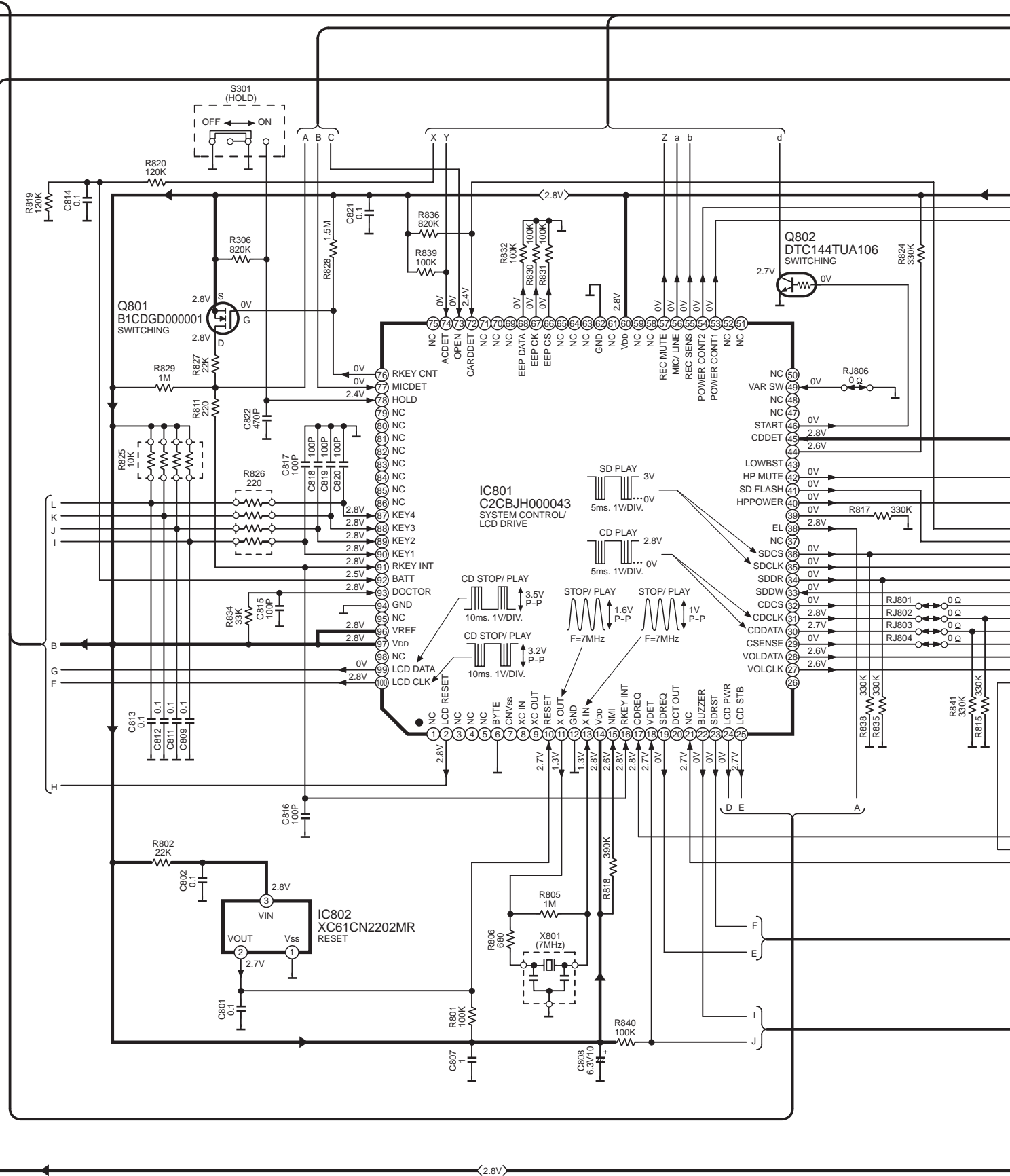
→ : POSITIVE VOLTAGE LINE ⇨ : CD PLAYBACK SIGNAL LINE

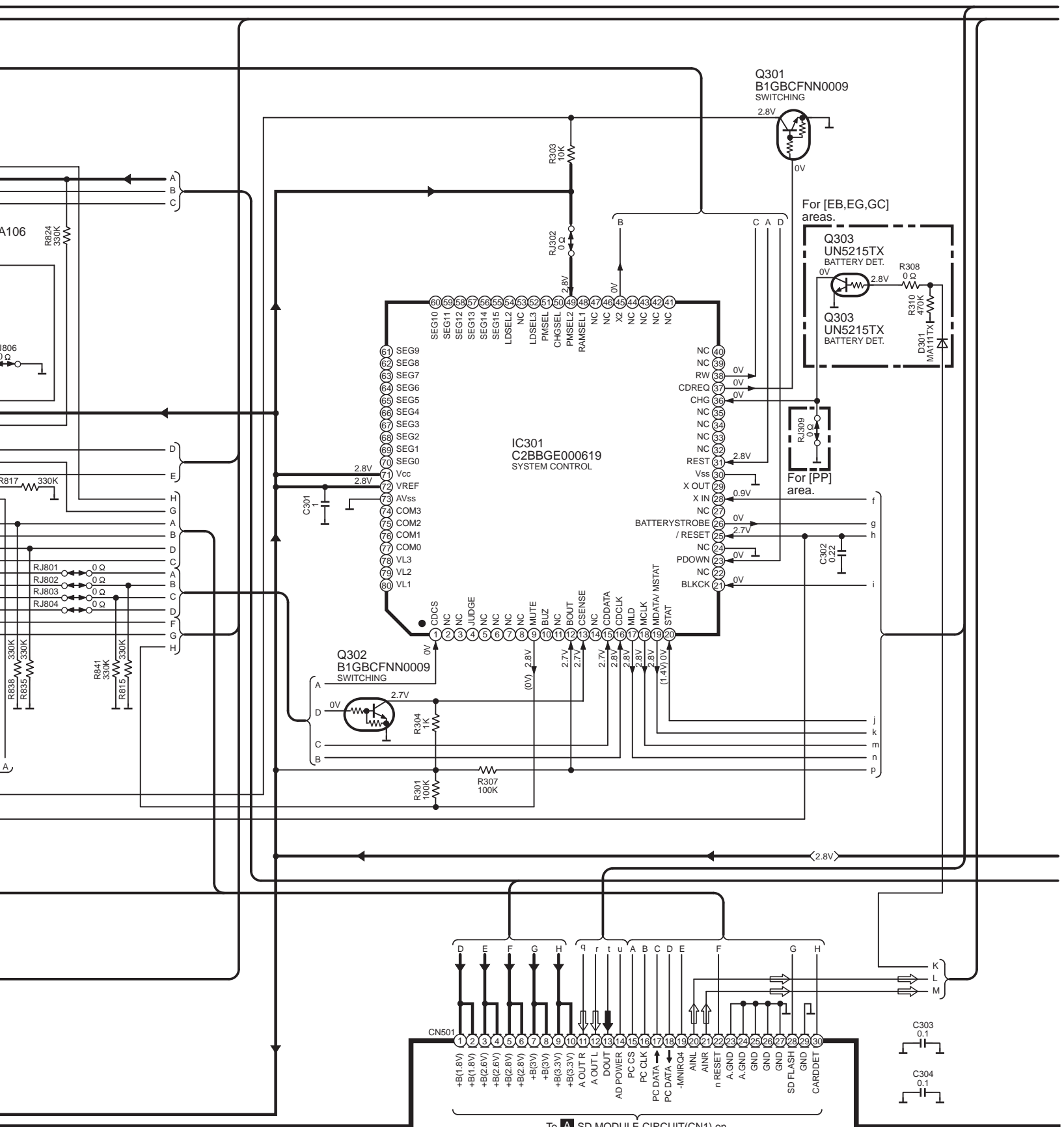


SCHEMATIC DIAGRAM-2

B MAIN CIRCUIT

→ : POSITIVE VOLTAGE LINE → : AUDIO SIGNAL (DIGITAL) LINE ⇨ : AUDIO SIGNAL (ANALOG) LINE



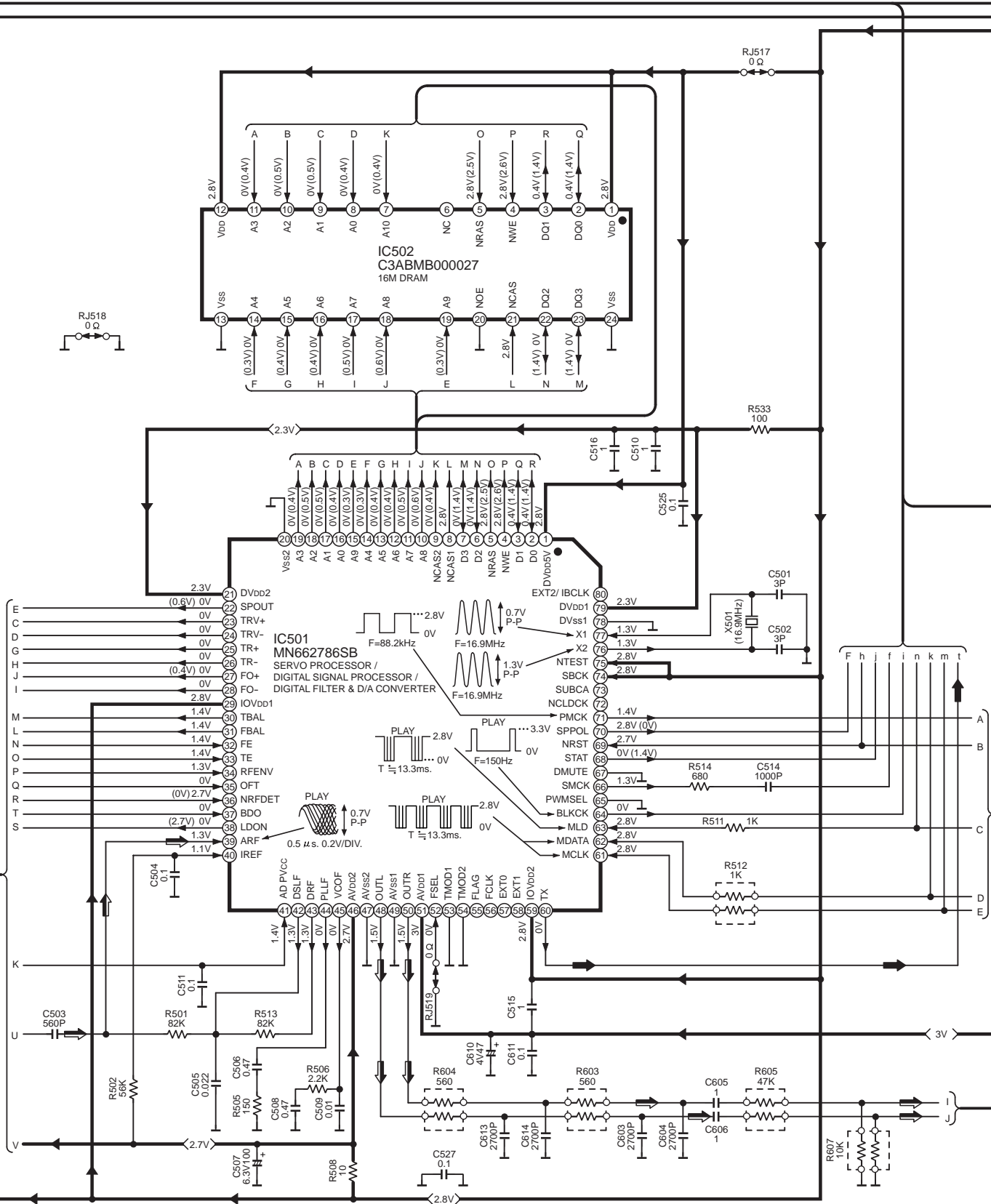


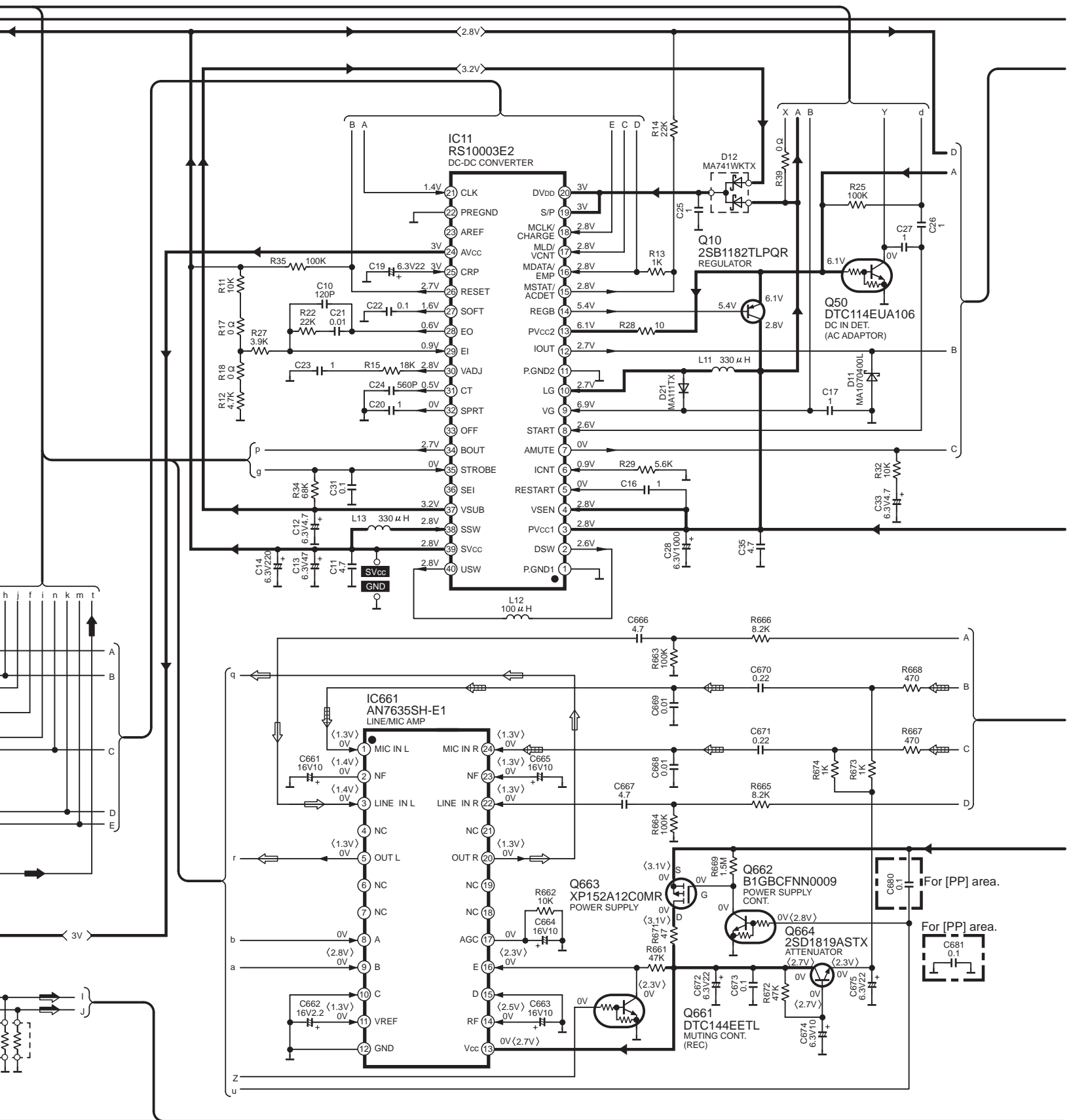
To **A** SD MODULE CIRCUIT(CN1) on SCHEMATIC DIAGRAM-6/1,2-E,F SV-SR100(PP,EB,EG,GC) MAIN CIRCUIT DIAGRAM

SCHEMATIC DIAGRAM-3

B MAIN CIRCUIT

→ : POSITIVE VOLTAGE LINE ⇨ : CD PLAYBACK SIGNAL LINE ⇨ : MIC SIGNAL LINE ⇨ : AUDIO SIGNAL (DIGITAL) LINE

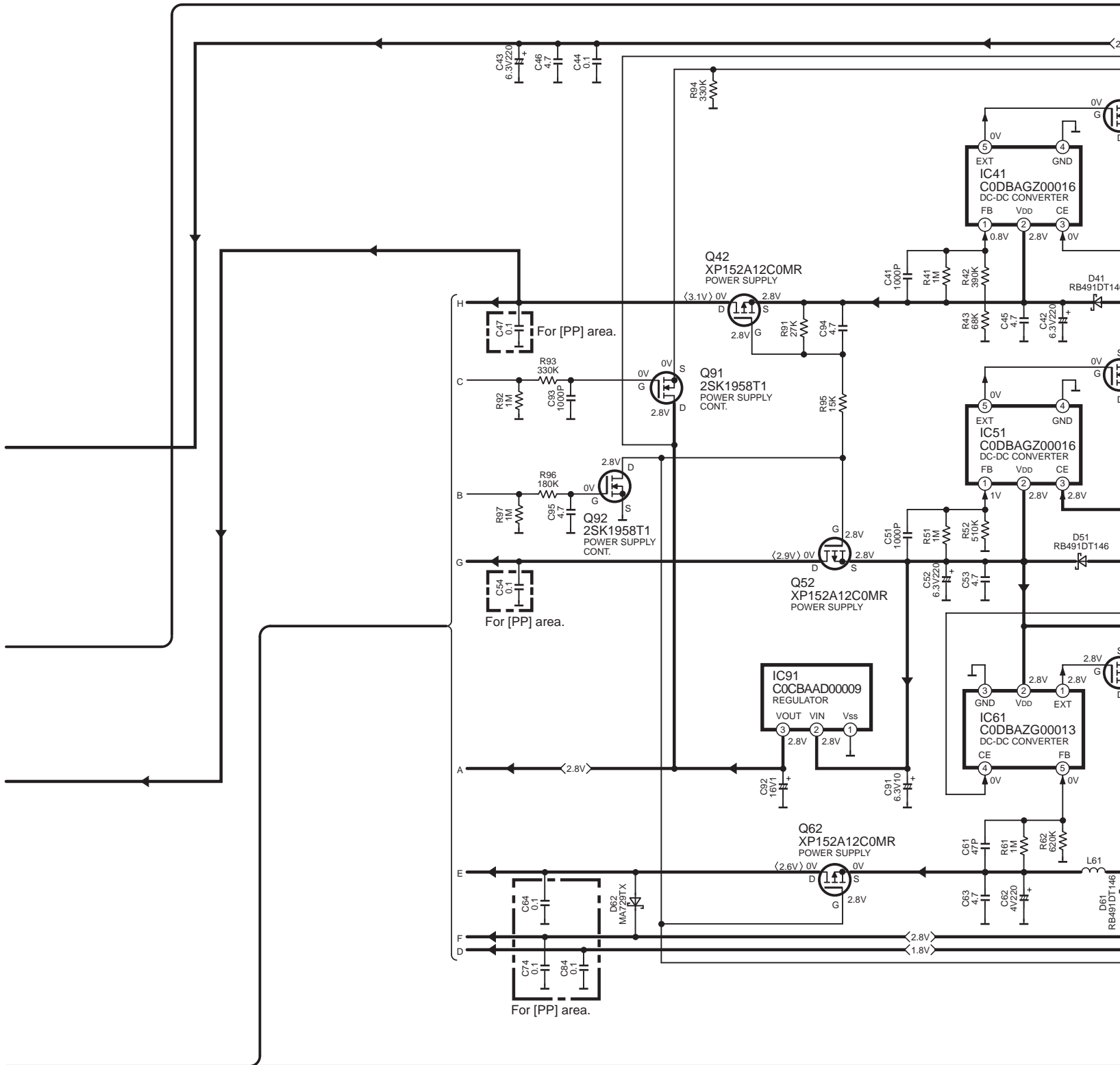


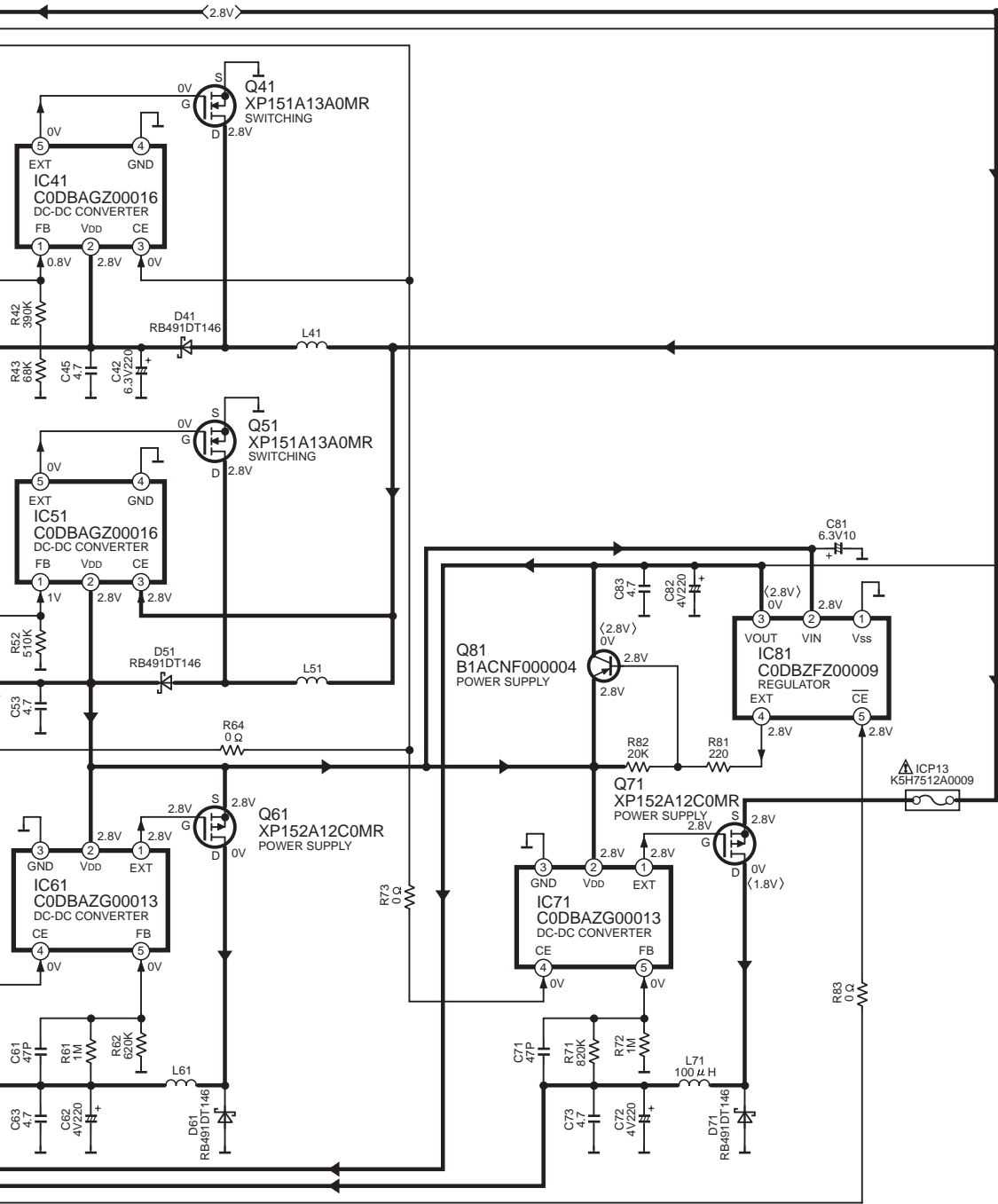


SCHEMATIC DIAGRAM-4

B MAIN CIRCUIT

→ : POSITIVE VOLTAGE LINE

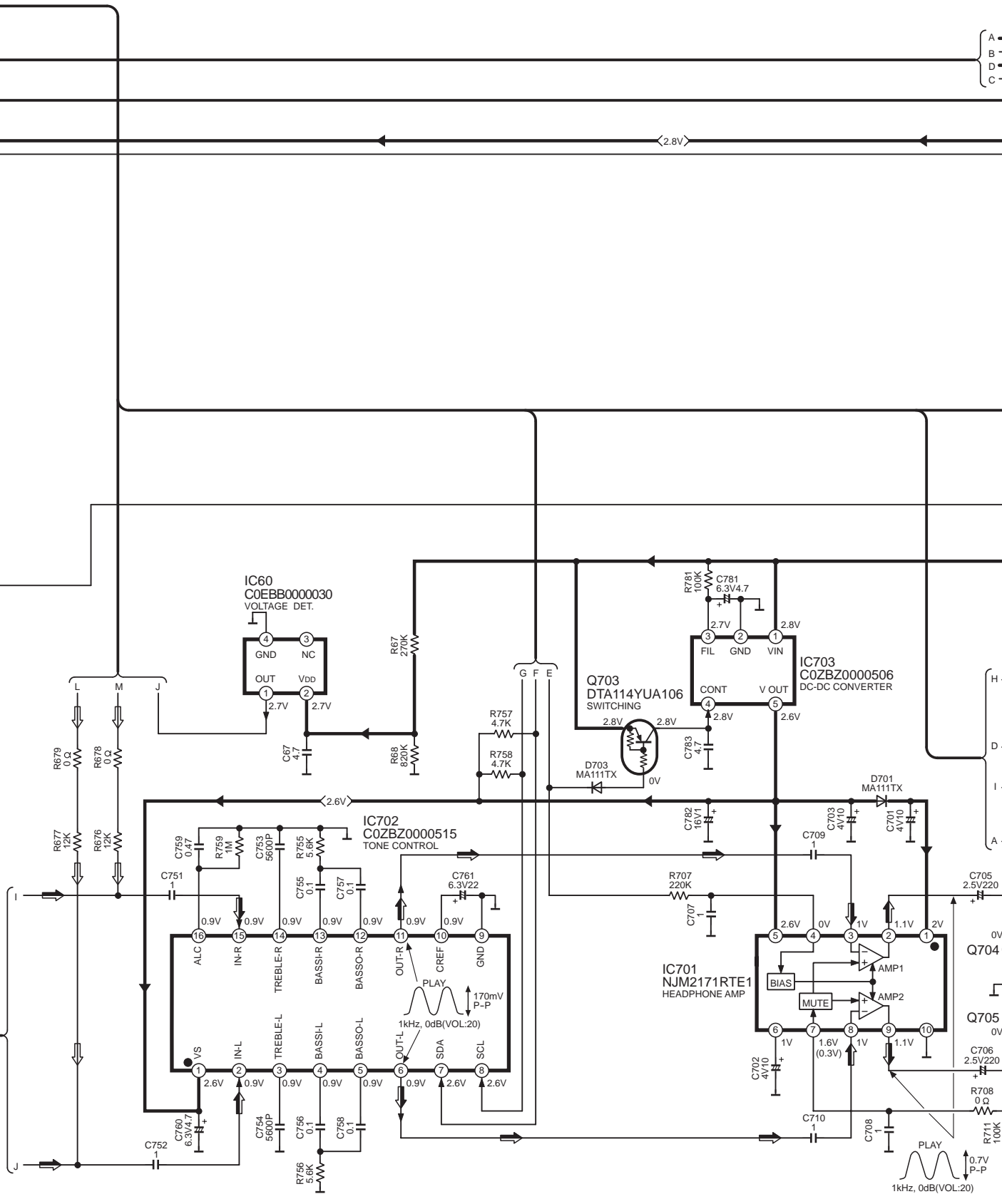


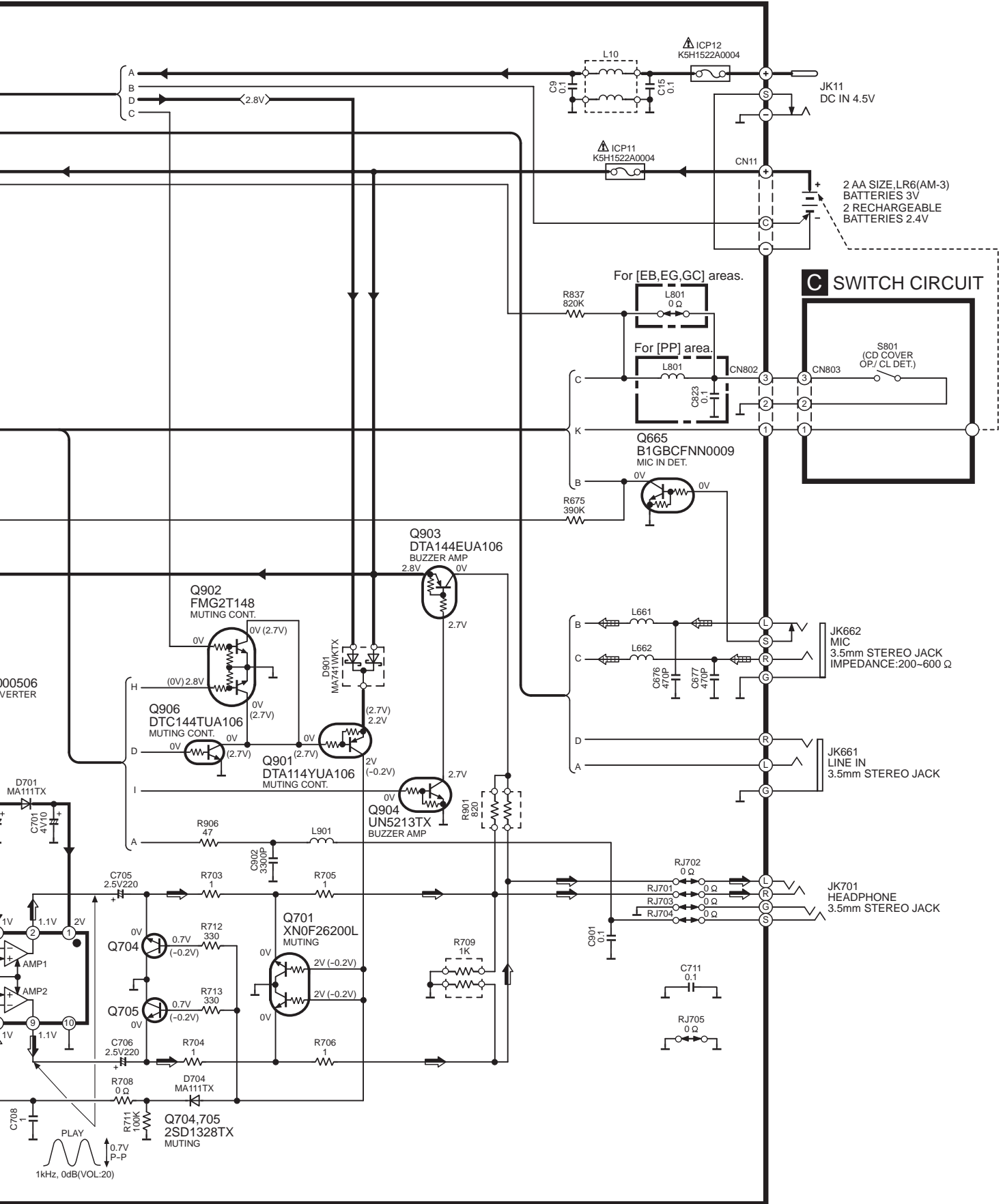


SCHEMATIC DIAGRAM-5

B MAIN CIRCUIT

: POSITIVE VOLTAGE LINE
 : CD PLAYBACK SIGNAL LINE
 : MIC SIGNAL LINE
 : AUDIO SIGNAL(DIGITAL) LINE





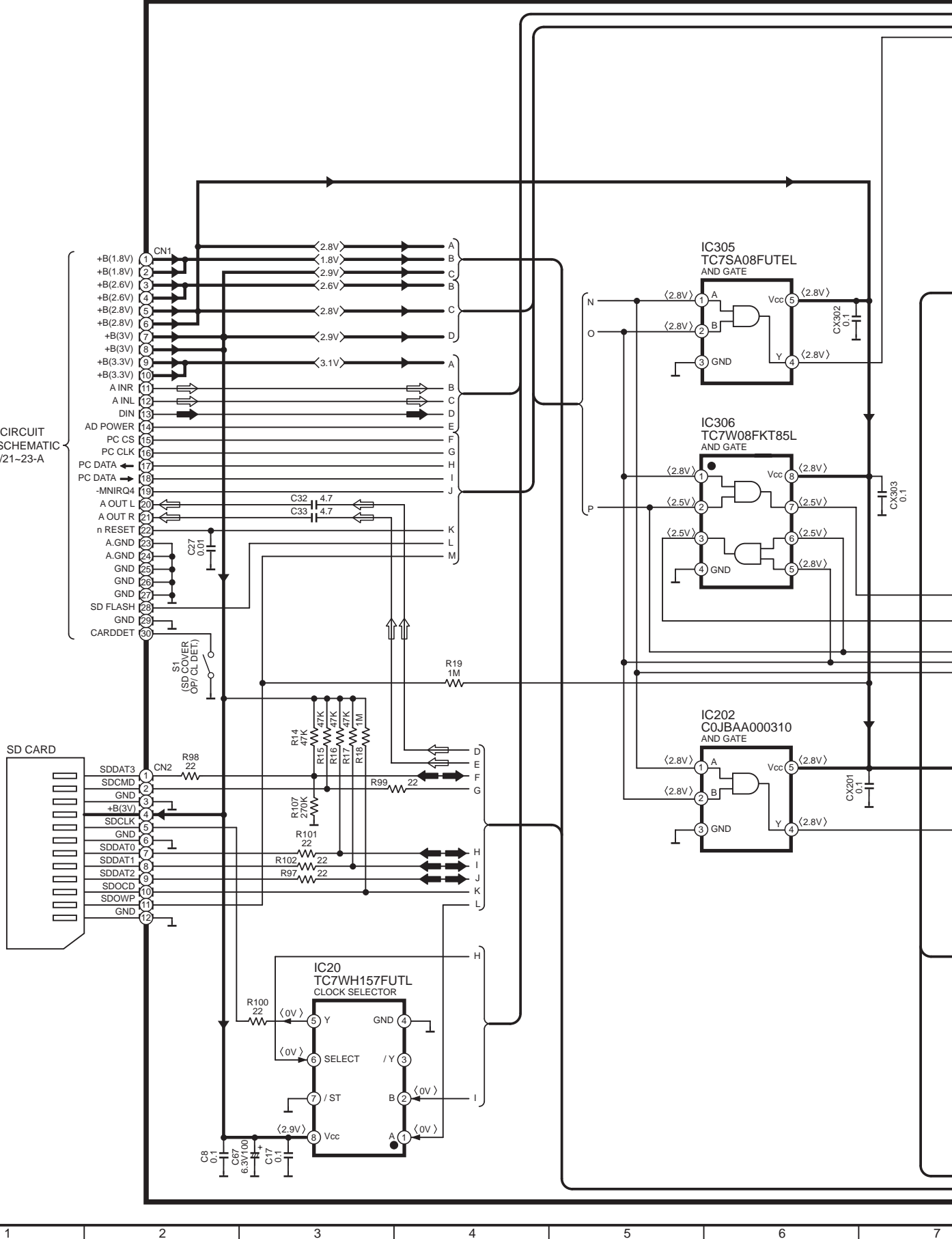
SV-SR100(PP,EB,EG,GC) MAIN, SWITCH CIRCUIT DIAGRAM

SCHEMATIC DIAGRAM-6

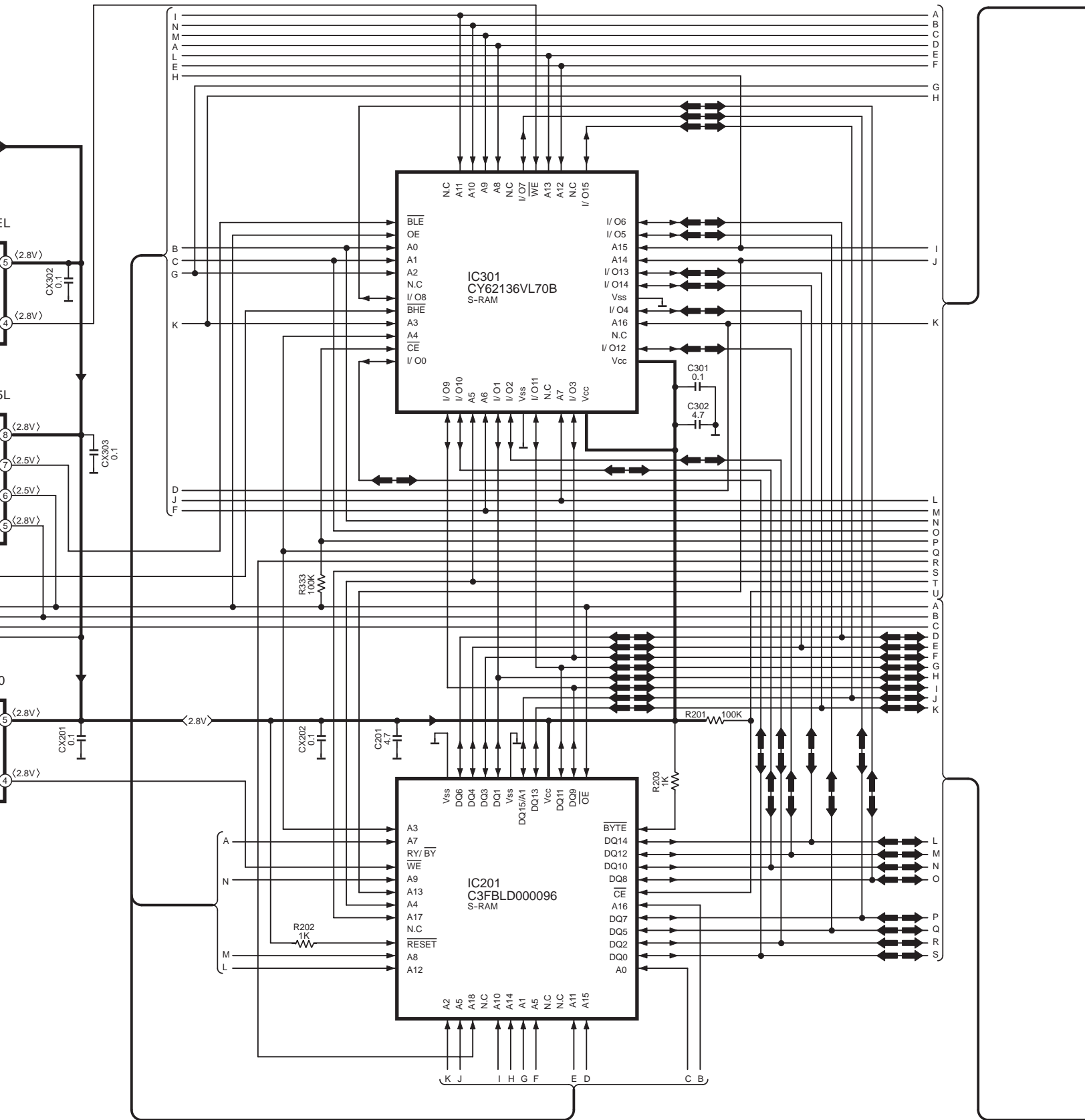
A SD MODULE CIRCUIT

→ : POSITIVE VOLTAGE LINE → : AUDIO SIGNAL (DIGITAL) LINE ⇨ : AUDIO SIGNAL (ANALOG) LINE

To **B** MAIN CIRCUIT (CN501) on SCHEMATIC DIAGRAM-2/21-23-A

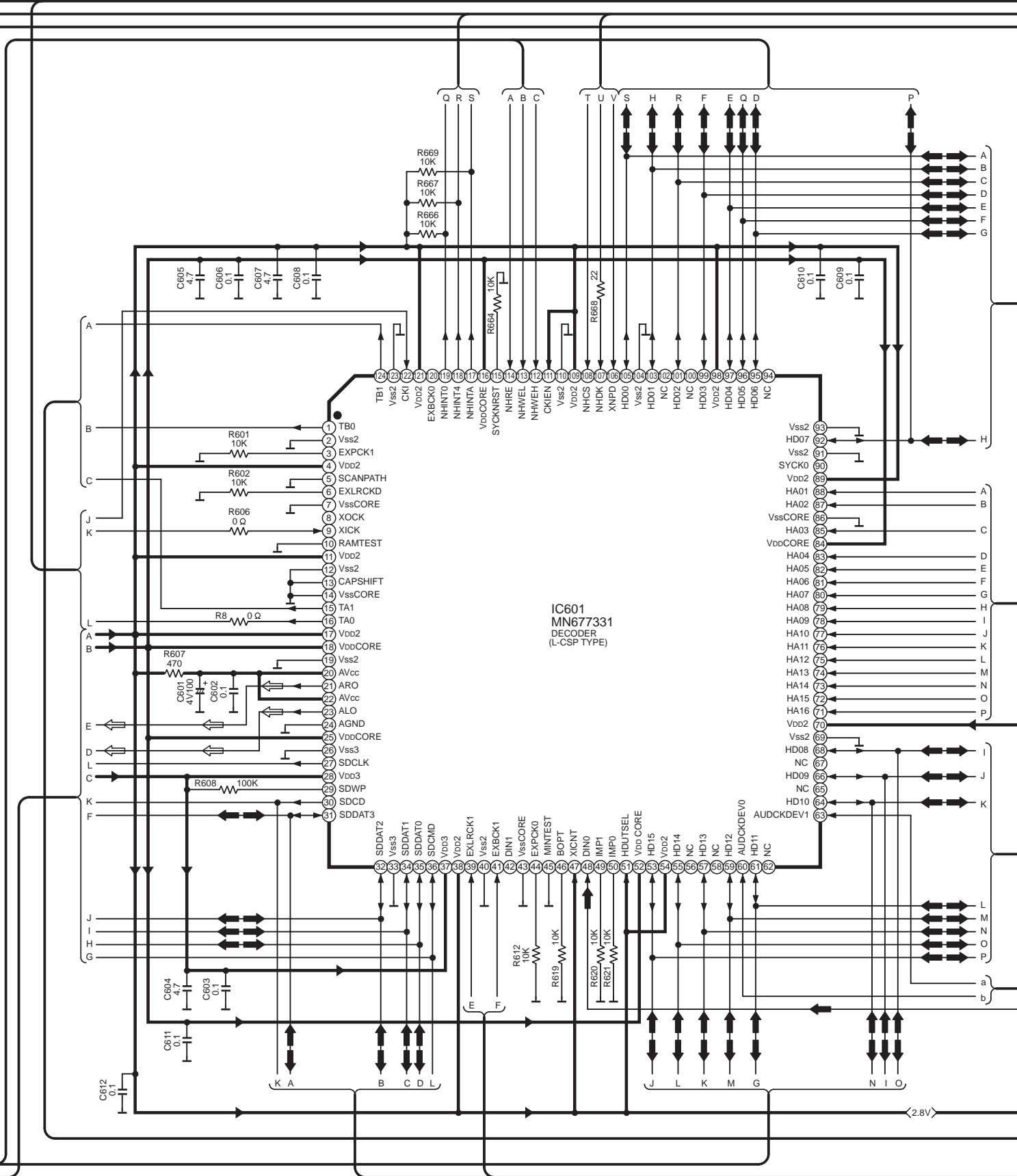


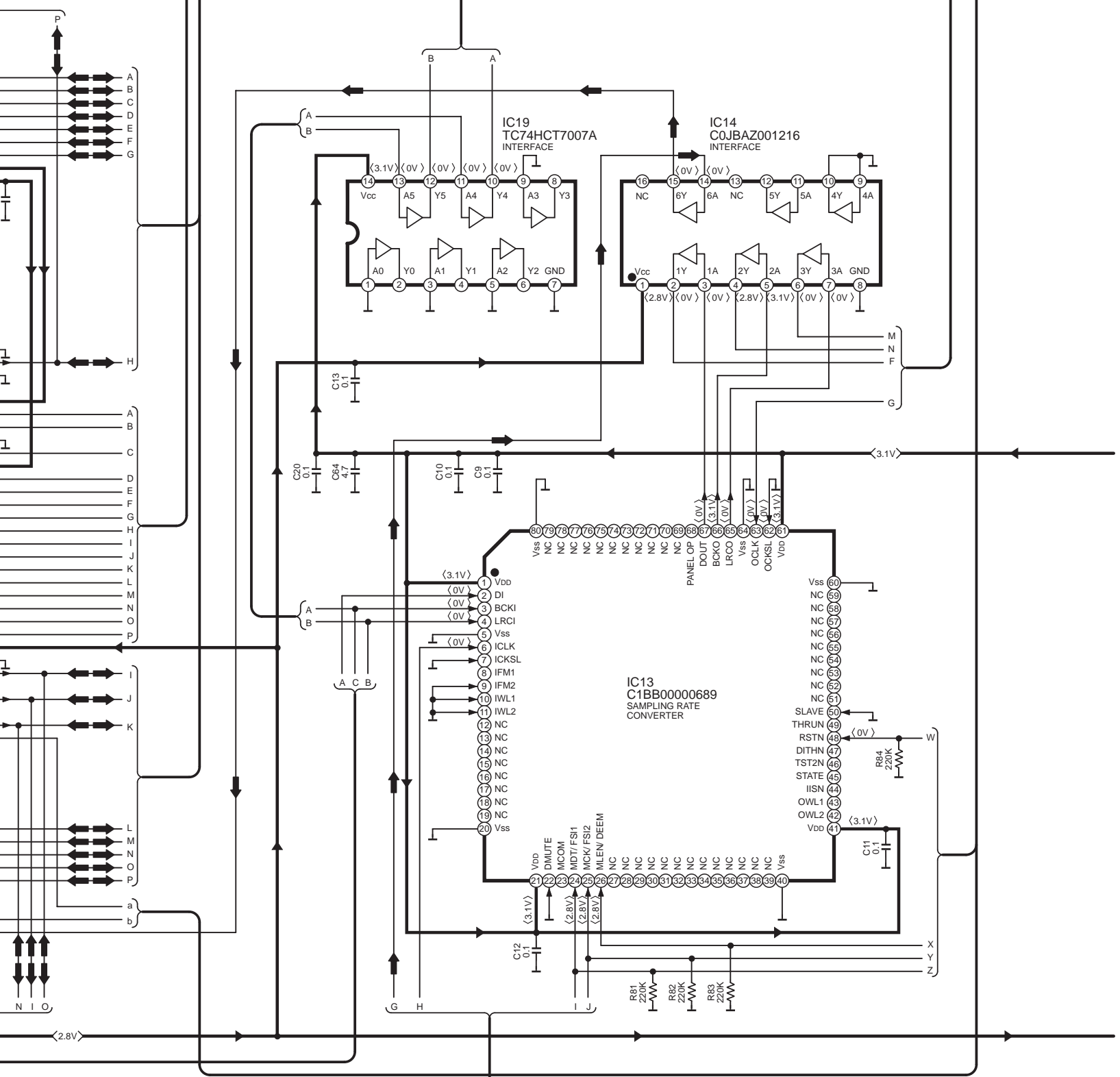
⇒:AUDIO SIGNAL(ANALOG) LINE



SCHEMATIC DIAGRAM-7
A SD MODULE CIRCUIT

→ : POSITIVE VOLTAGE LINE → : AUDIO SIGNAL(DIGITAL) LINE ⇨ : AUDIO SIGNAL(ANALOG) LINE

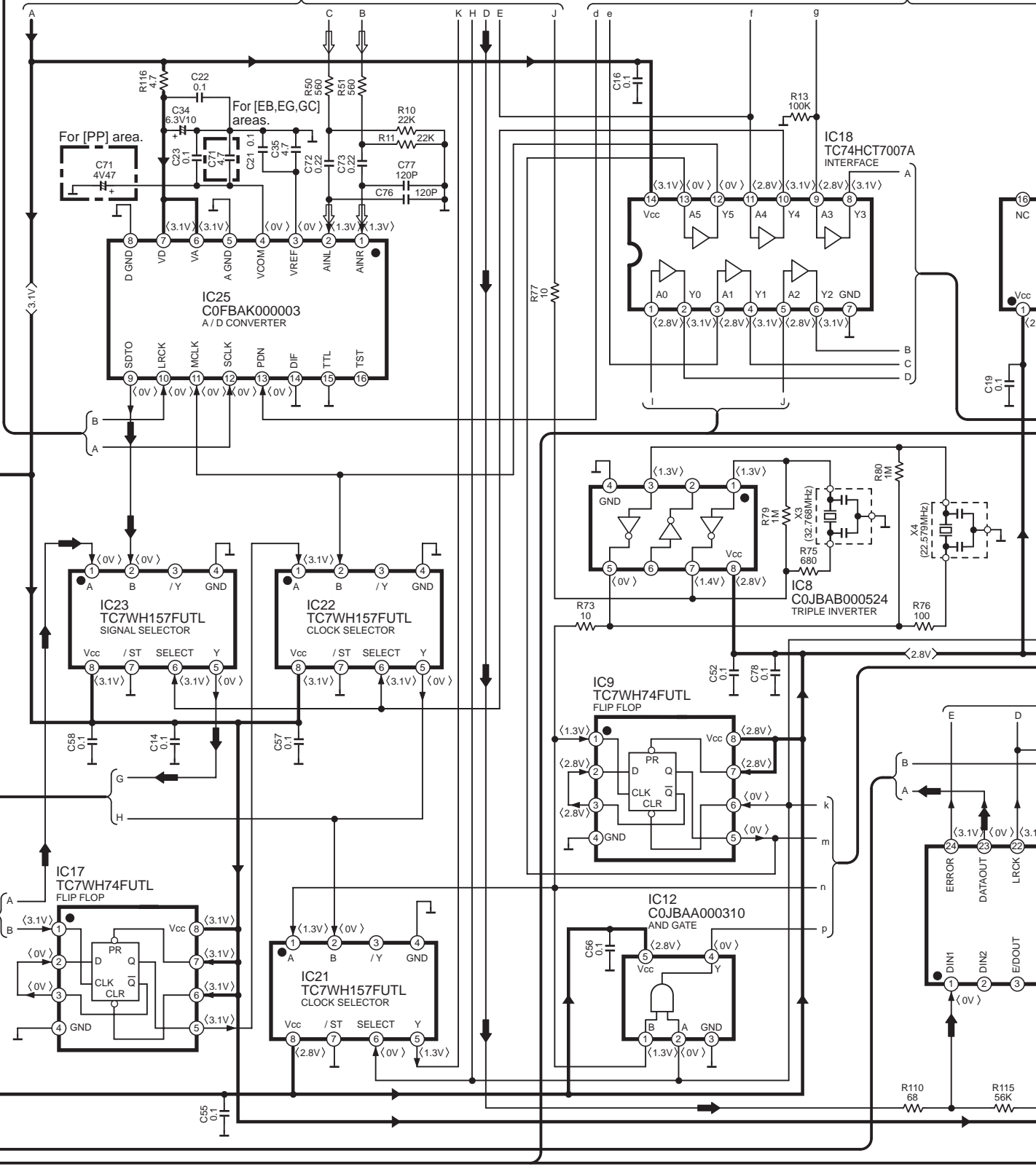


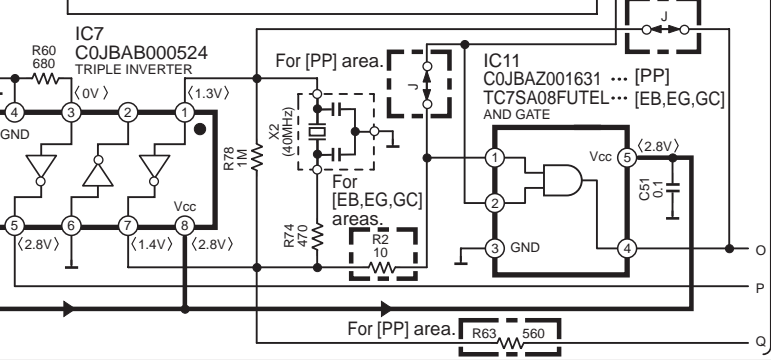
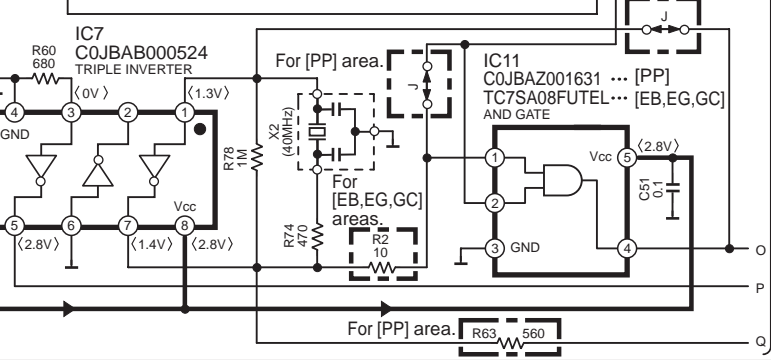
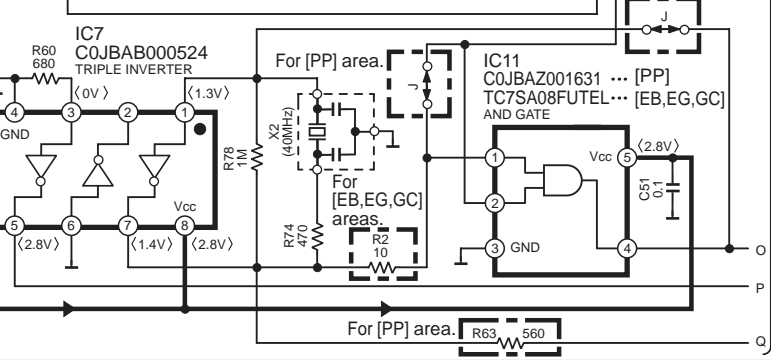
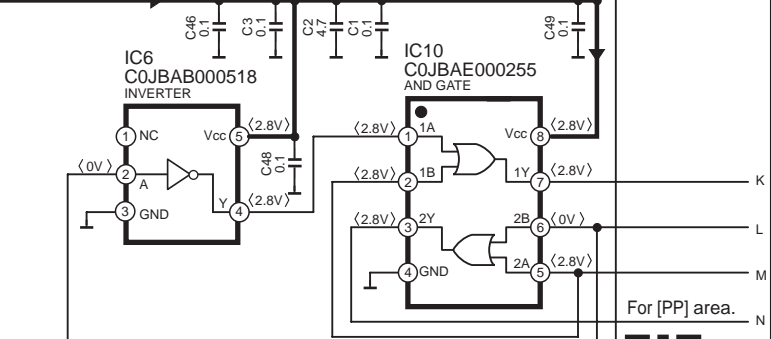
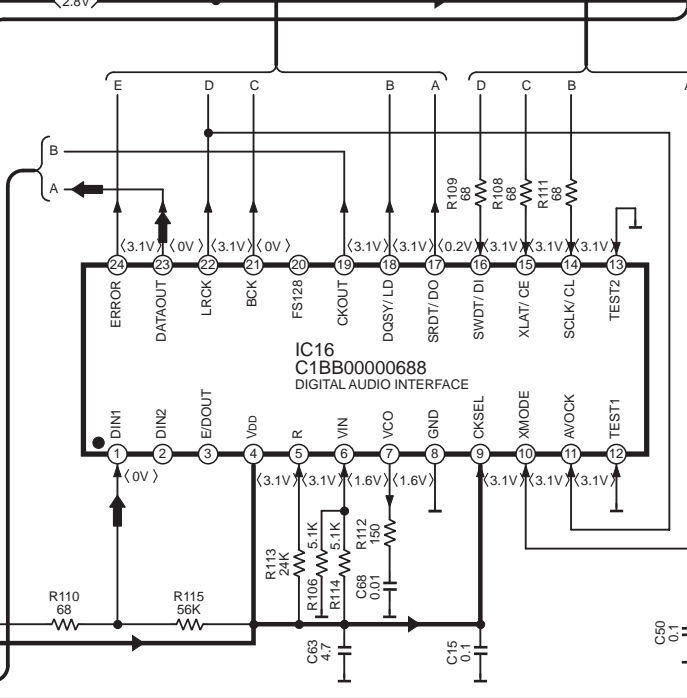
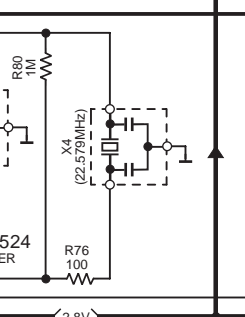
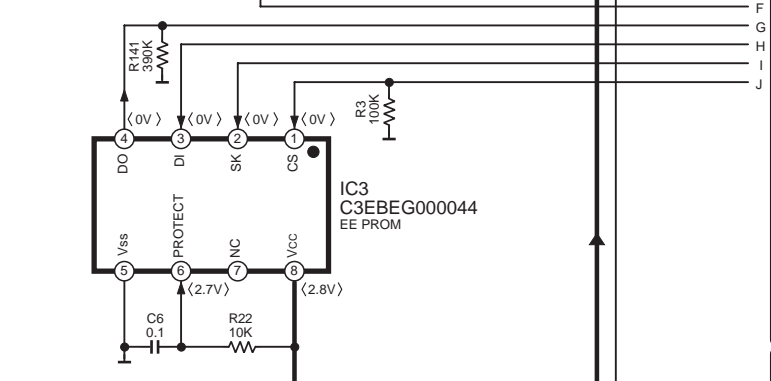
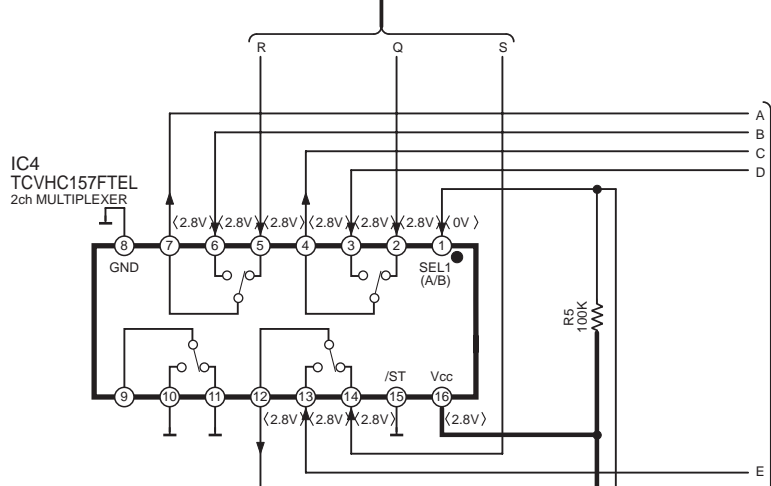
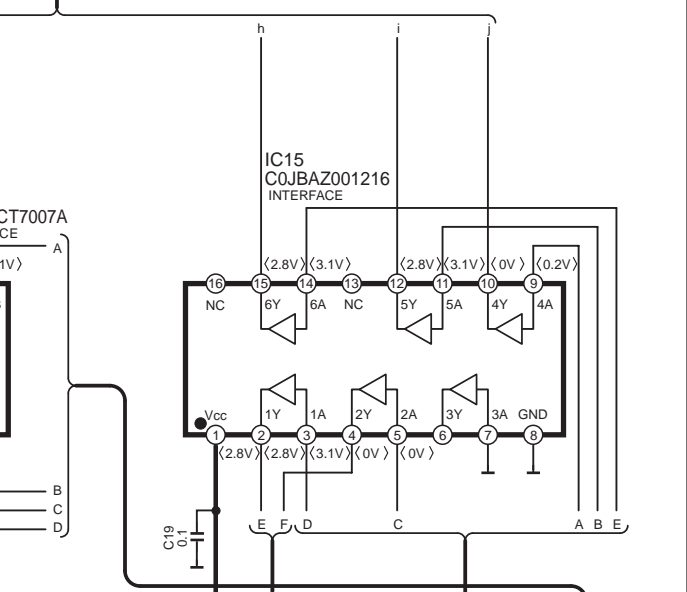


SCHEMATIC DIAGRAM-8

A SD MODULE CIRCUIT

→ : POSITIVE VOLTAGE LINE → : AUDIO SIGNAL(DIGITAL) LINE ⇨ : AUDIO SIGNAL(ANALOG) LINE

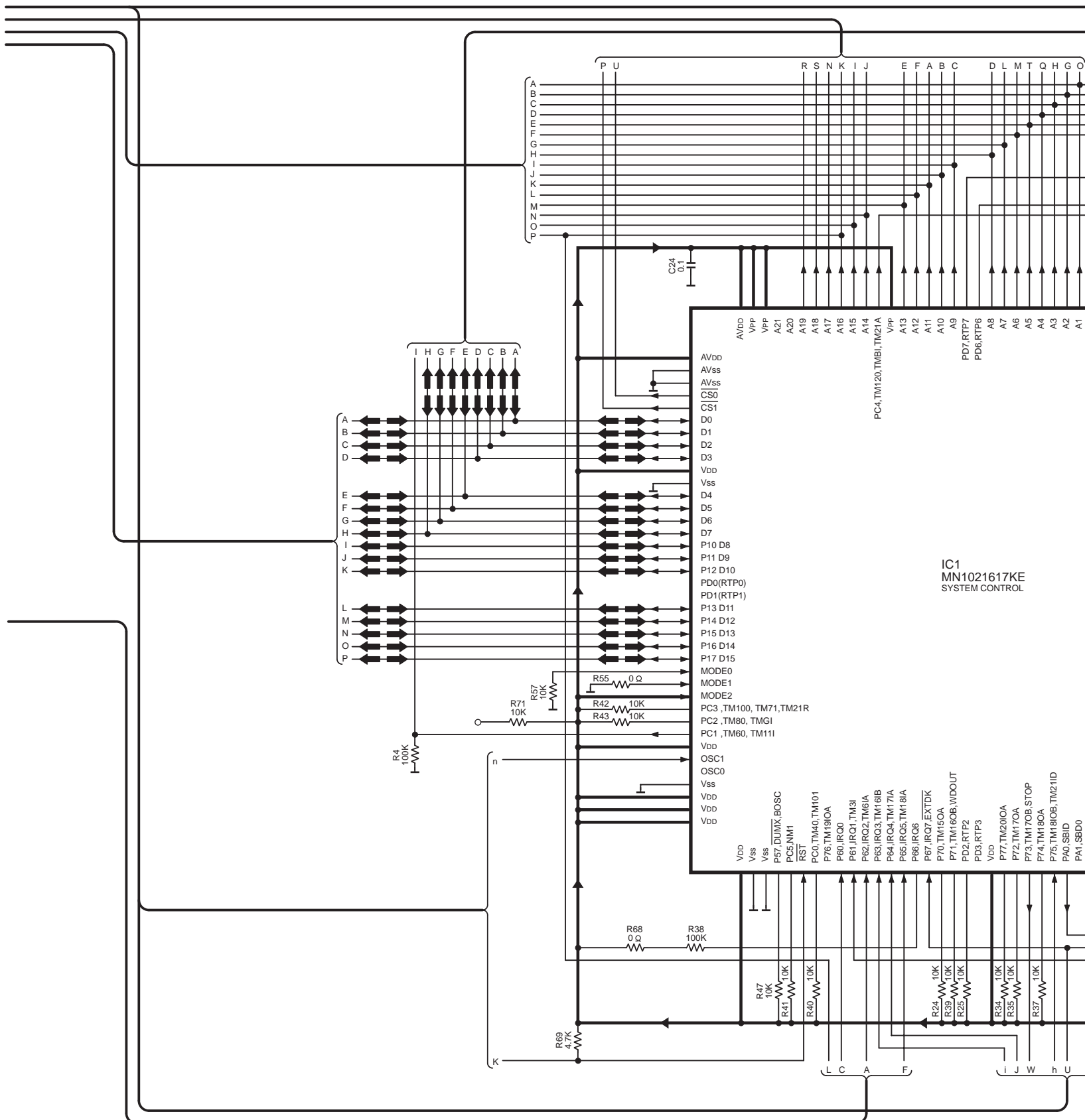


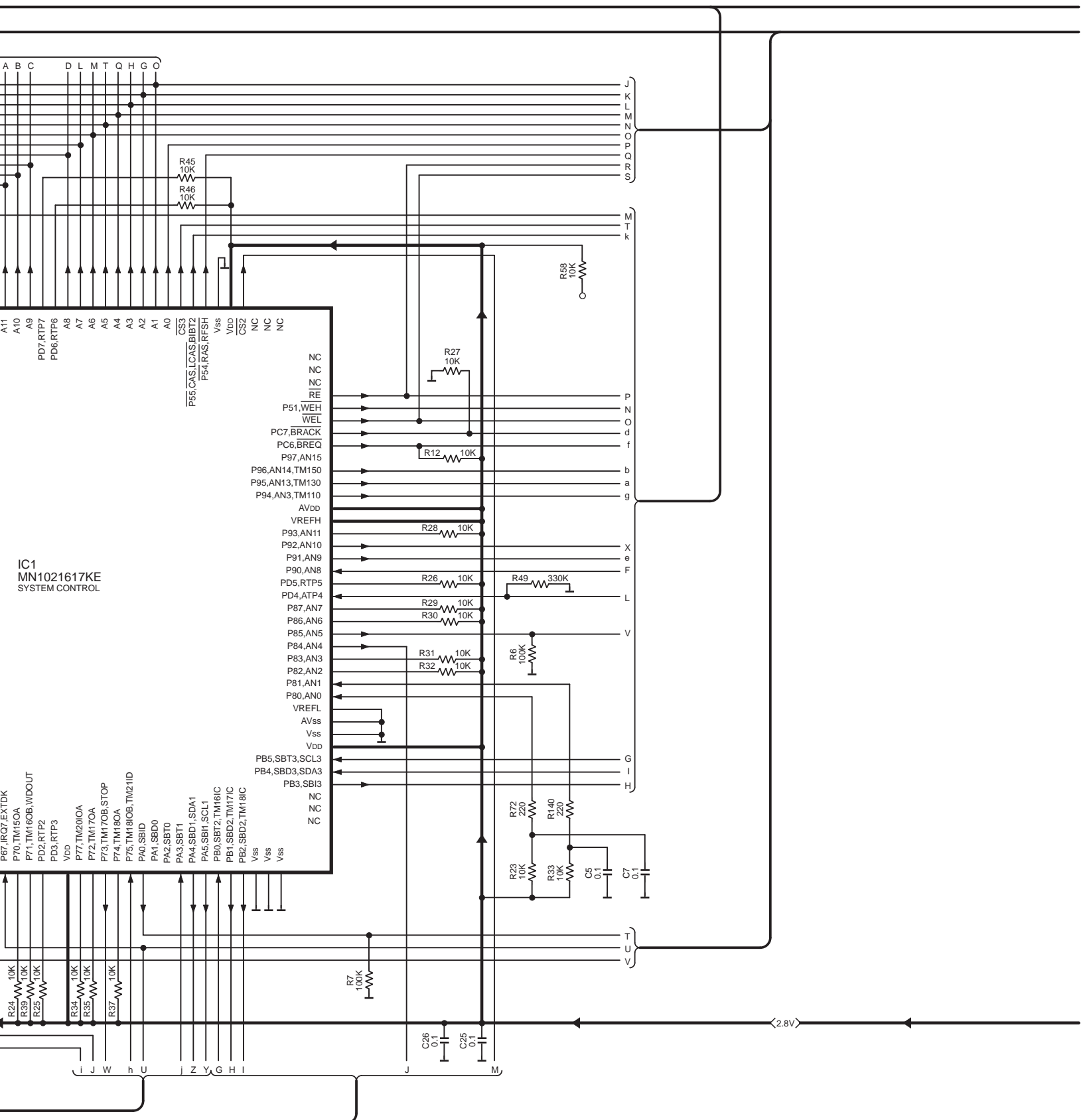


SCHEMATIC DIAGRAM-9

A SD MODULE CIRCUIT

→ : POSITIVE VOLTAGE LINE → : AUDIO SIGNAL(DIGITAL) LINE ⇨ : AUDIO SIGNAL(ANALOG) LINE

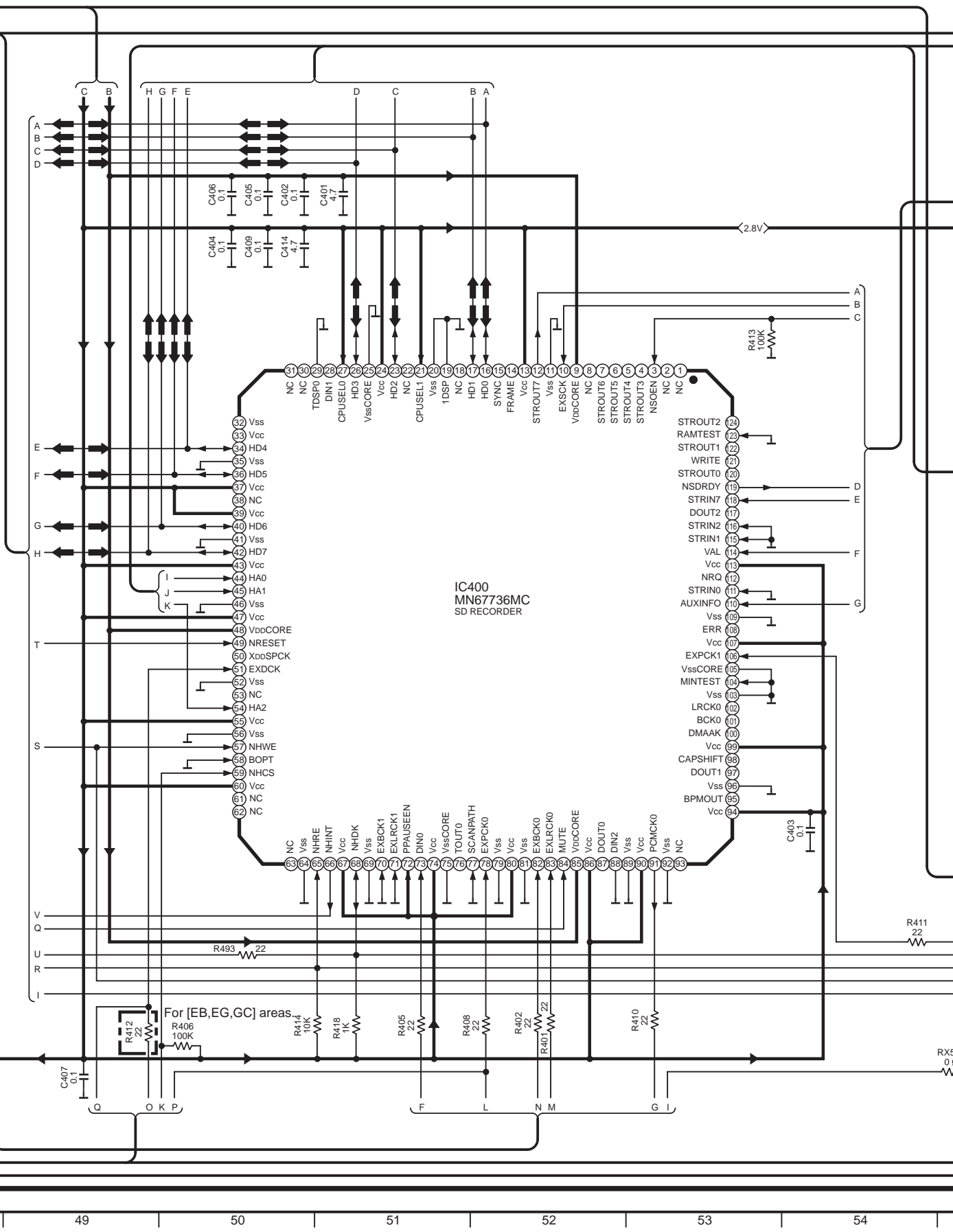


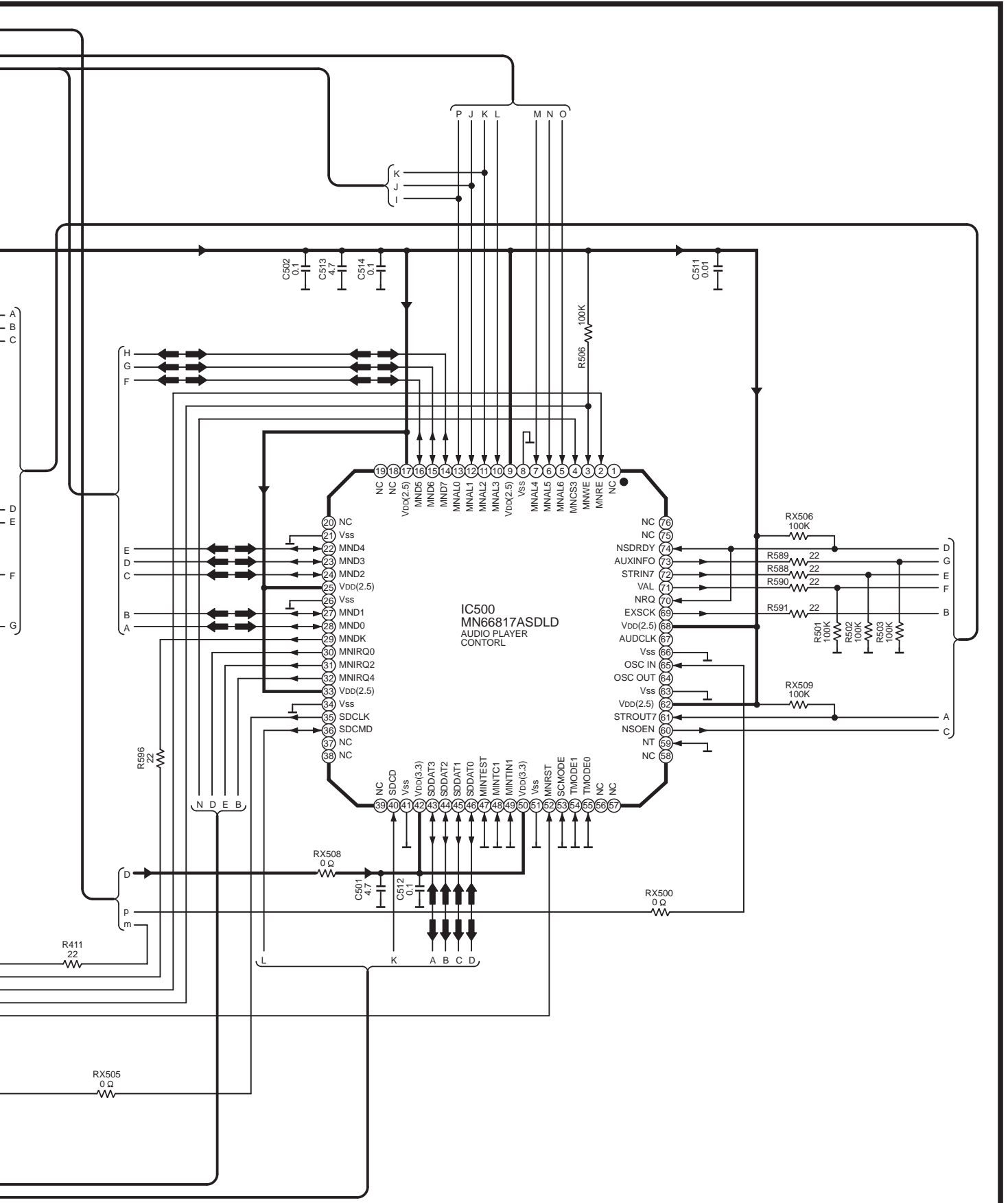


SCHEMATIC DIAGRAM-10

A SD MODULE CIRCUIT

→ : POSITIVE VOLTAGE LINE ➡ : AUDIO SIGNAL(DIGITAL) LINE





SV-SR100(PP,EB,EG,GC) SD MODULE CIRCUIT DIAGRAM