

SCHEMATIC DIAGRAM-1

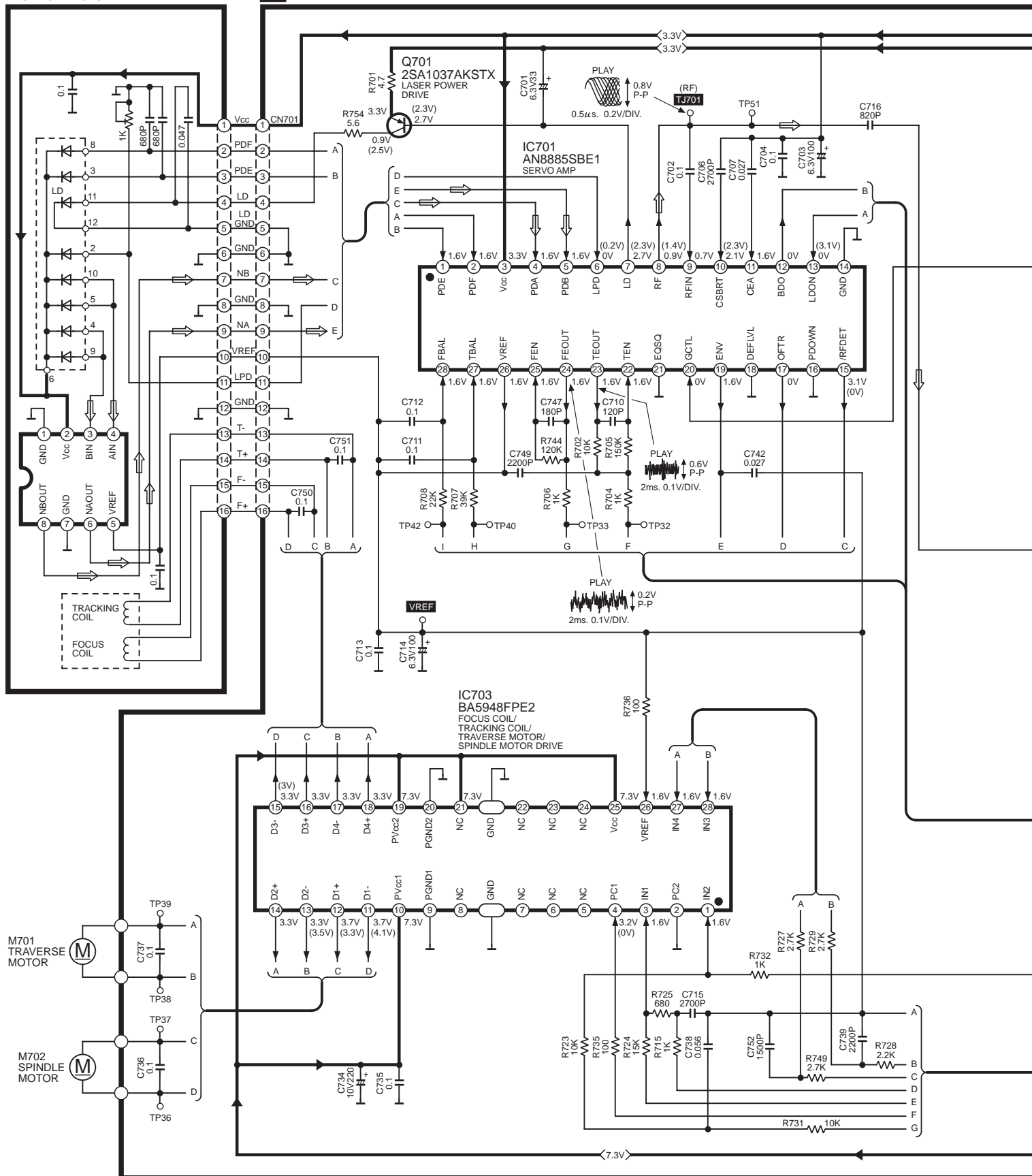
NOTE:

The number which noted at the connectors on the schematic diagram as "SCHEMATIC DIAGRAM-1" or "SCHEMATIC DIAGRAM-2" indicates the schematic diagram serial number located on the left corner in the schematic diagram.

OPTICAL PICKUP

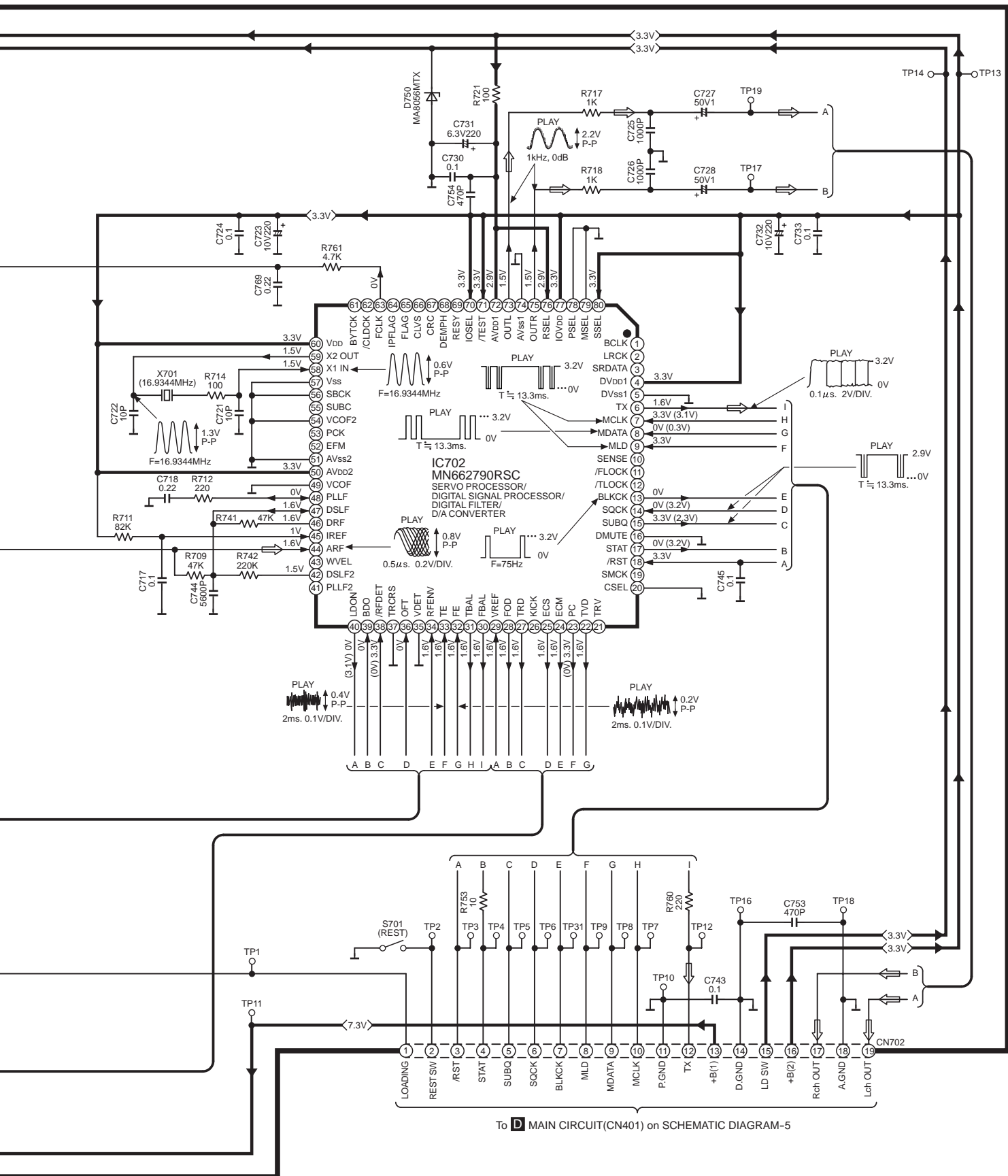
A CD SERVO CIRCUIT

→ : POSITIVE VOLTAGE LINE ⇨ : CD PLAYBACK SIGNAL LINE



SCHEMATIC DIAGRAM-2

→ : POSITIVE VOLTAGE LINE ⇨ : CD PLAYBACK SIGNAL LINE

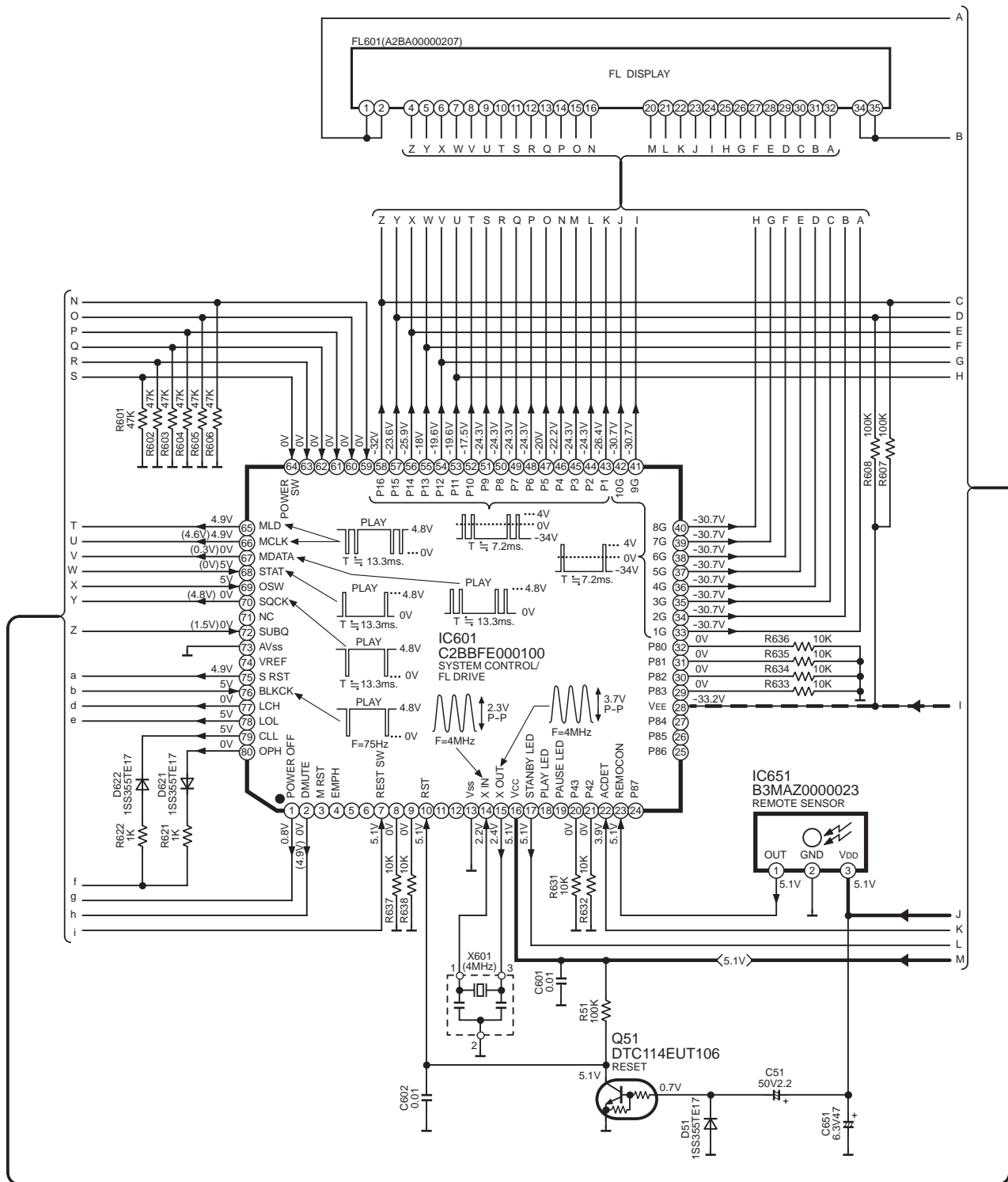


To D MAIN CIRCUIT(CN401) on SCHEMATIC DIAGRAM-5

SCHEMATIC DIAGRAM-3

B FL CIRCUIT

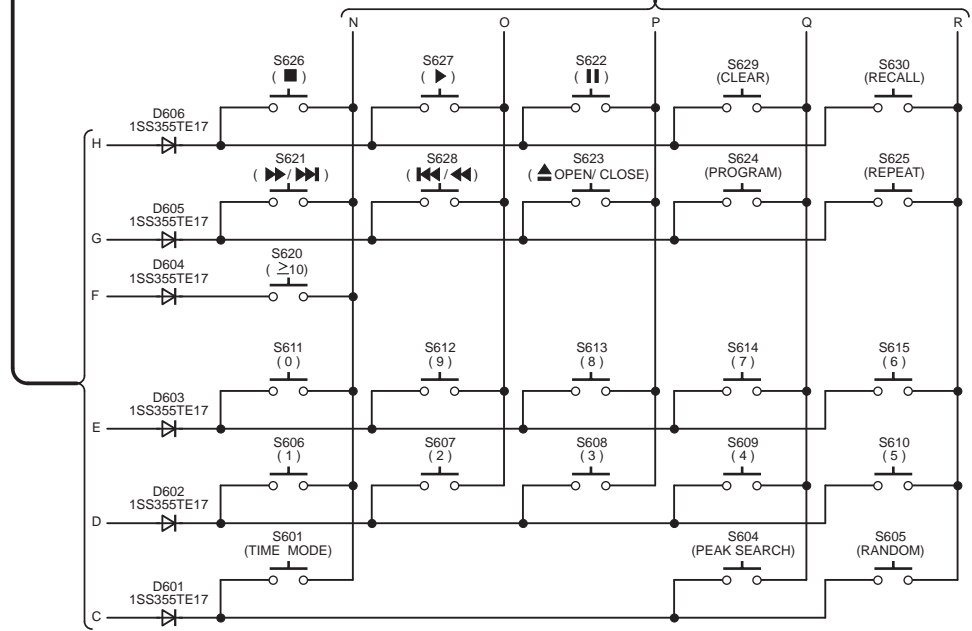
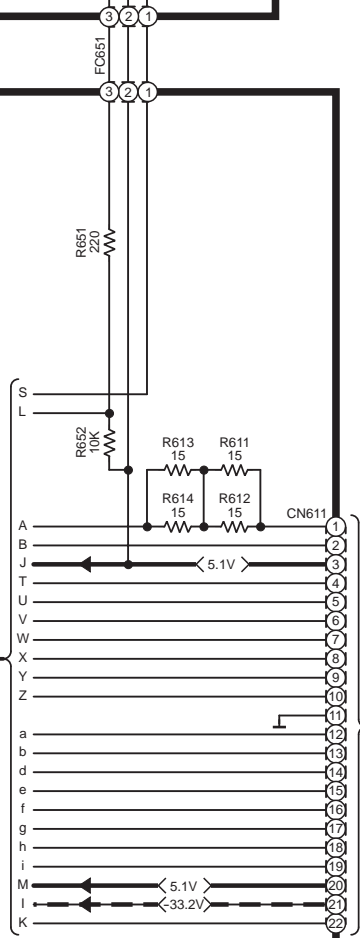
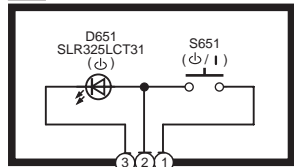
→ : POSITIVE VOLTAGE LINE → - : NEGATIVE VOLTAGE LINE



SCHEMATIC DIAGRAM-4

→ : POSITIVE VOLTAGE LINE
 ← : NEGATIVE VOLTAGE LINE

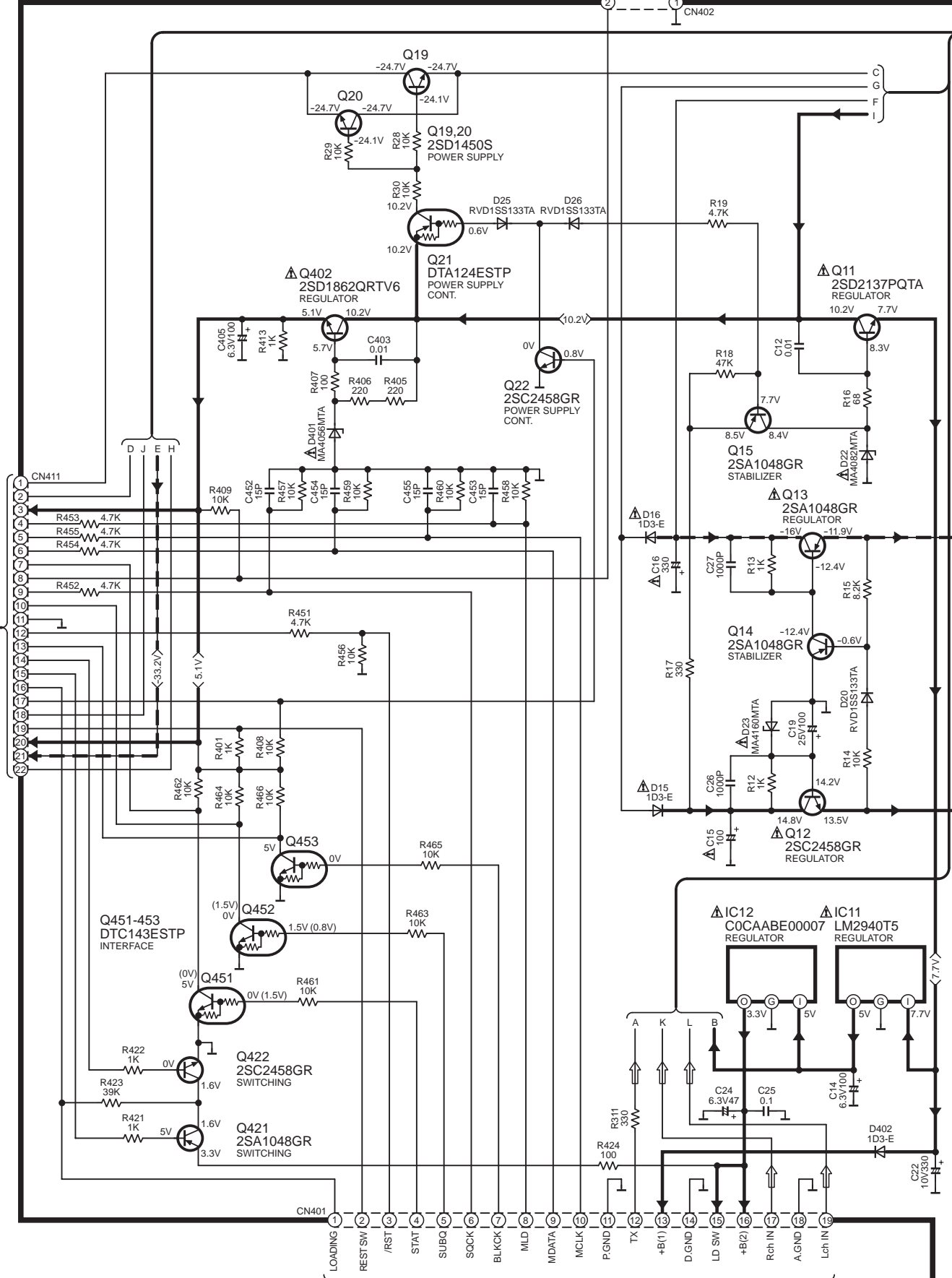
C POWER SW CIRCUIT



SCHEMATIC DIAGRAM-5

D MAIN CIRCUIT

S790 (CD OPEN/CLOSE SW)
 - - - - - : POSITIVE VOLTAGE LINE
 - - - - - : NEGATIVE VOLTAGE LINE
 ⇨ : CD PLAYBACK SIGNAL LINE



SCHEMATIC DIAGRAM-6

: POSITIVE VOLTAGE LINE
 : NEGATIVE VOLTAGE LINE
 : CD PLAYBACK SIGNAL LINE

