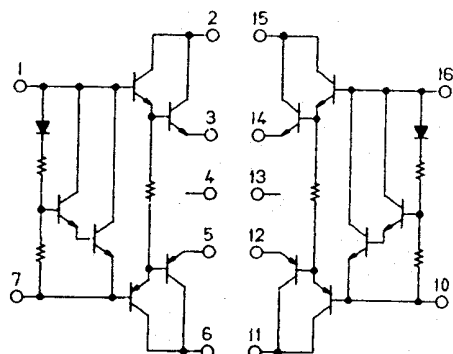


# 2CH PURE COMPLEMENTARY D. P. P. SERIES

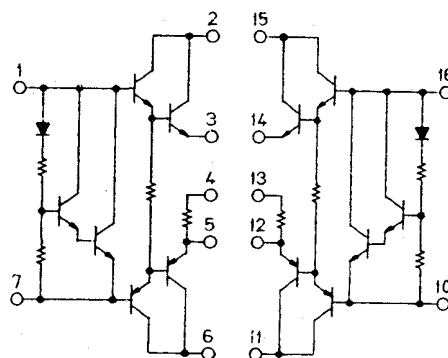
2ch 純コンプリメンタリー ターリントン パワールック シリーズ

Type No Series Name	Maximum Rating 最大定格						Recommended Operation 推奨動作	Electrical Characteristics 電気的特性			With Ro Ro 付
	Vcc max	$\theta_{j-c}$	IC max	Tj	Ts	Tstg		Supply Voltage Vcc at RL=8 $\Omega$	Closed Loop Gain	Po max/RL=8 $\Omega$ THD	
シリーズ名	V	$^{\circ}C/W$	A	$^{\circ}C$	sec	$^{\circ}C$	V	dB	W	%	Ro=0.22 $\Omega$
STK 2030	$\pm 48$	2.1	4	150	2		$\pm 30.0$	40	30	0.01	No
STK 2230	$\pm 48$	2.1	4	150	2	-30	$\pm 30.0$	40	30	0.01	Yes
STK 2040	$\pm 54$	1.8	5	150	2	~	$\pm 33.5$	40	40	0.01	No
STK 2240	$\pm 54$	1.8	5	150	2	+105	$\pm 33.5$	40	40	0.01	Yes
STK 2050	$\pm 59$	1.8	5	150	2		$\pm 37.0$	40	50	0.01	No
STK 2250	$\pm 59$	1.8	5	150	2		$\pm 37.0$	40	50	0.01	Yes

## ■ EQUIVALENT CIRCUIT



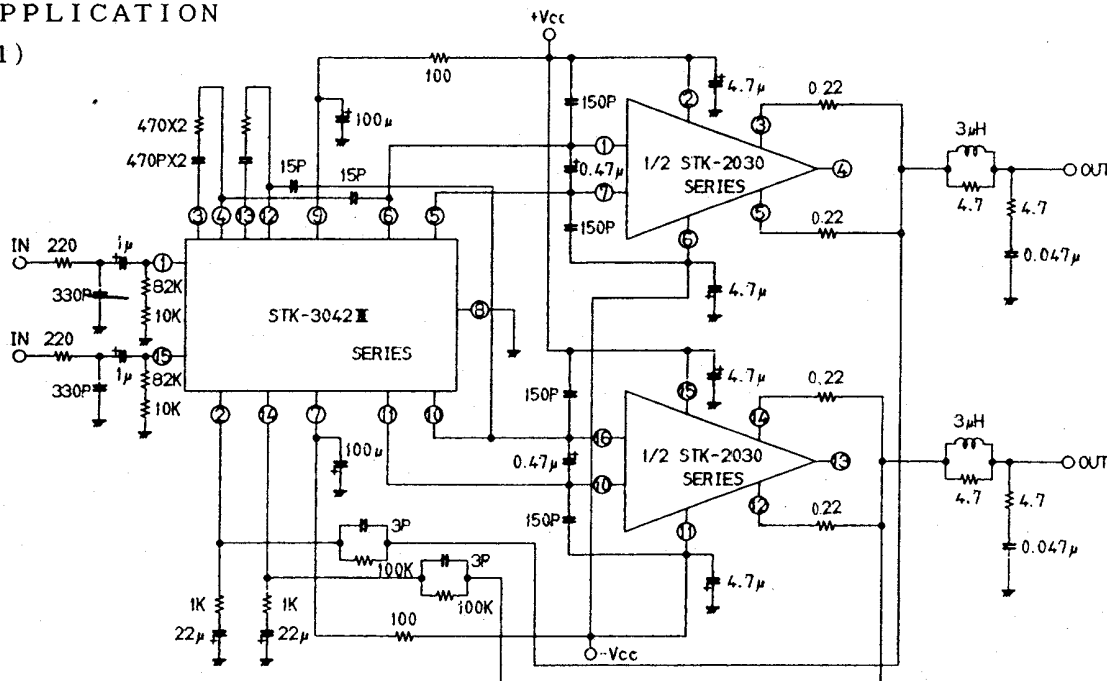
( STK2030, 2040, 2050 )

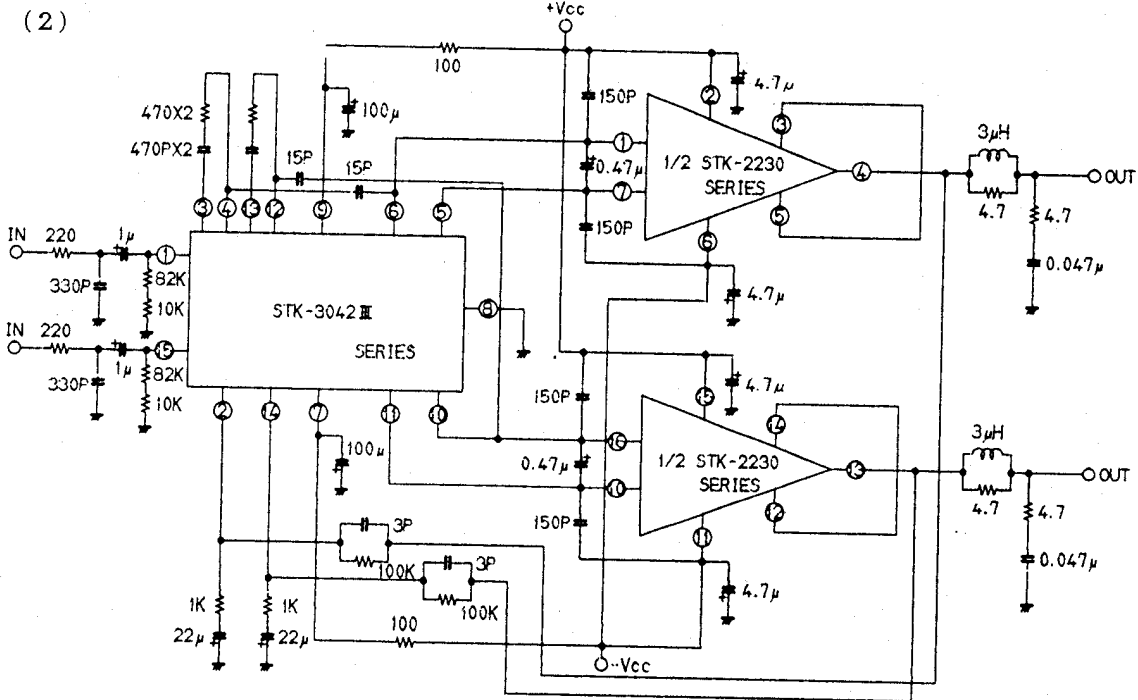


( STK2230, 2240, 2250 )

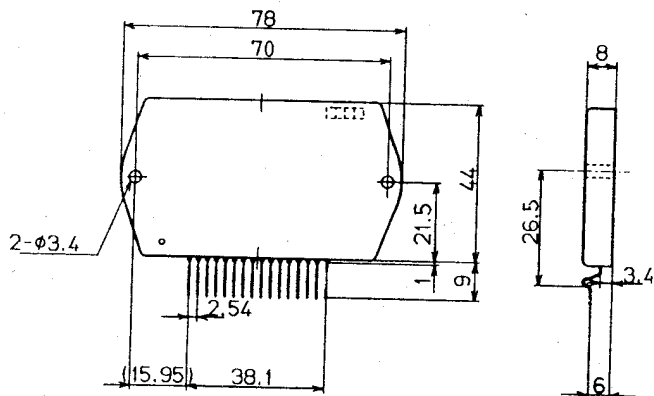
## ■ APPLICATION

(1)

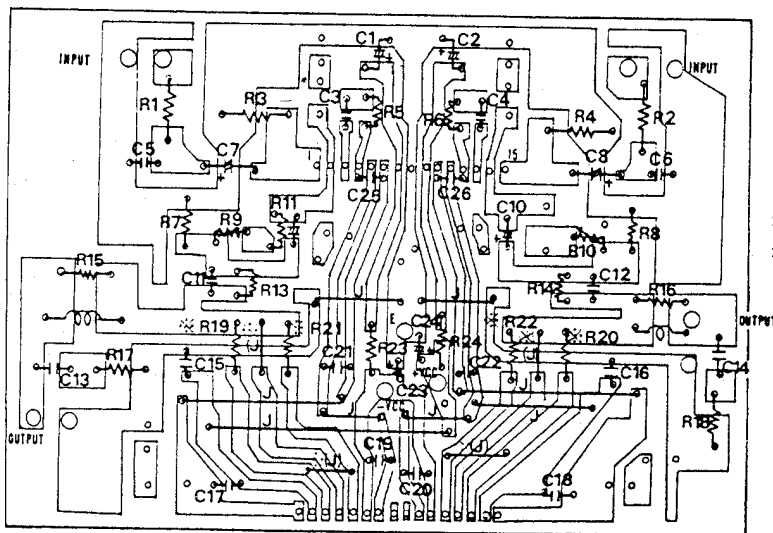




■ PACKAGE DIMENSION



■ BACK VIEW



- R1,R2 220 Ω
  - R3,R4 33K Ω
  - R5,R6 470 Ω
  - R7,R8 3.3KΩ
  - R9,R10 20KB
  - R11,R12 22K Ω
  - R13,R14 68K Ω
  - R15,R16 4.7 Ω
  - R17,R18 4.7 Ω(2W)
  - \* R19,R20 0.22Ω
  - \* R21,R22 0.22Ω
  - R23,R24 100 Ω(2W)
  - C1,C2 47 μ
  - C3,C4 68P
  - C5,C6 330P
  - C7,C8 1 μ
  - C9,C10 1 μ
  - C11,C12 7P
  - C13,C14 0.47 μ(mylar)
  - C15,C16 1 μ(with both channels driven)
  - C17,C18 150P
  - C19,C20 150P
  - C21,C22 0.47 μ(mylar)
  - C23,C24 4.7 μ
  - C25,C26 15P
- Coil: 3 μH

	* R19,R20 R21,R22	*(J)
STK2230 STK2240	without	with
STK2030 STK2040	with	without

This datasheet has been downloaded from:

[www.DatasheetCatalog.com](http://www.DatasheetCatalog.com)

Datasheets for electronic components.