

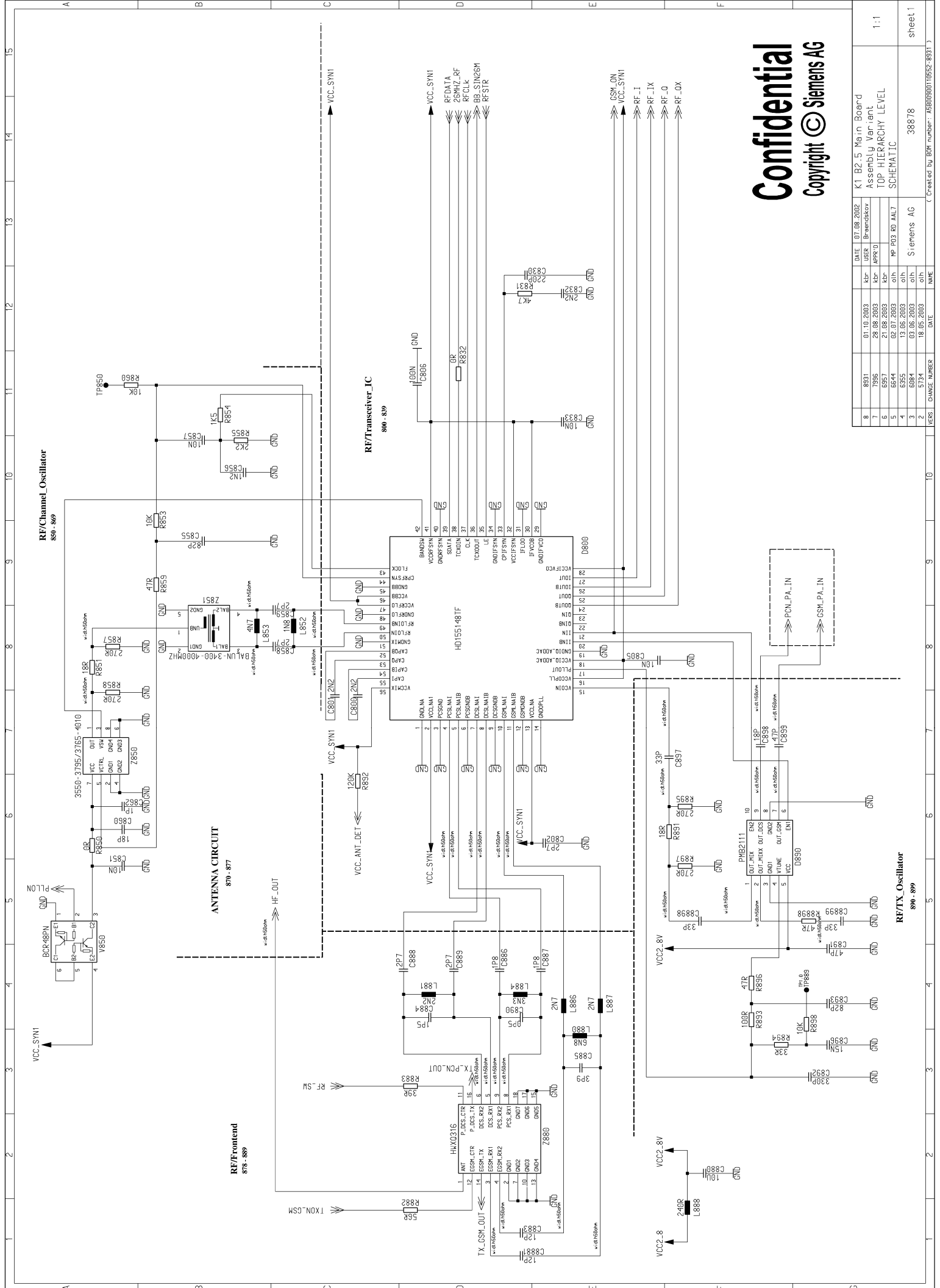
Proprietary data, company confidential.
All rights reserved

Als Betriebsgeheimnis anvertraut
Alle Rechte vorbehalten

TSDRAM /sheet5 11 B	/sheet1 14 D /sheet1 14 E /sheet1 7 C	/sheet6 5 E /sheet6 5 C /sheet5 10 F
TVCO /sheet5 11 A /sheet5 9 C	/sheet1 3 A /sheet1 6 D	
TVCXO /sheet4 3 D /sheet4 2 D /sheet2 1 F /sheet5 12 B	VCXO_EN /sheet9 4 C /sheet5 9 G	
TXON1 /sheet5 5 C	VDDPM /sheet8 8 F /sheet8 3 C	
TXONPA /sheet4 3 C /sheet4 2 C /sheet2 1 C /sheet5 4 C	VDD_FM_FM /sheet10 14 C /sheet10 10 C /sheet10 10 A /sheet10 14 C /sheet10 11 D	
TXON_GSM /sheet4 3 E /sheet4 2 E /sheet1 1 C /sheet5 4 C	VMIC /sheet5 4 A /sheet5 5 A	
TXPWM_FEM1 /sheet5 4 C	X_CCCLK /sheet7 4 F	
TX_GSM_OUT /sheet2 11 B /sheet1 2 D	X_CCIO /sheet7 4 F	
TX_PCN_OUT /sheet2 11 A /sheet1 3 D	X_CCRST /sheet7 4 F	
VAFI /sheet9 3 E /sheet10 14 B	X_KB3 /sheet3 1 B	
VAFR /sheet9 3 F /sheet10 14 A	X_KB4 /sheet3 1 B	
VCC2_8 /sheet4 2 E /sheet4 3 E /sheet1 1 F /sheet9 15 C /sheet9 1 A	_A_RESET /sheet7 3 C /sheet5 9 G	
VCC2_8V /sheet2 4 A /sheet1 2 F /sheet1 4 F	_A_RX_IR /sheet4 8 C /sheet4 9 C /sheet3 14 B /sheet7 3 B	
VCC_ANT_DET /sheet11 9 D /sheet1 6 C	_M_BHE /sheet6 5 E /sheet5 10 F	
VCC_SYN /sheet4 2 E /sheet4 3 E /sheet2 4 D /sheet9 15 C /sheet9 1 A	_M_CS_FLASH_1 /sheet6 5 C /sheet5 10 F	
VCC_SYN1 /sheet2 5 D /sheet1 6 E /sheet1 14 C	_M_CS_FLASH_2 /sheet5 10 F	
	_M_CS_SRAM /sheet6 5 D /sheet5 10 F	
	_M_RD /sheet6 5 D /sheet6 5 C /sheet5 10 F	
	_M_RST_DEBUG /sheet5 6 F	
	_M_WR	

Confidential
Copyright © Siemens AG

VERS.	CHANGE NUMBER	DATE	NAME			
8	8931	01.10.2003	kbr	DATE	07.08.2002	K1 B2.5 Main Board Assembly Variant TOP HIERARCHY LEVEL SCHEMATIC
7	7996	28.08.2003	kbr	USER	Braendskov	
6	6957	21.08.2003	kbr	APPR'D		
5	6644	02.07.2003	oth	MP	P03 RD AAL7	
4	6355	13.06.2003	oth			
3	6084	03.06.2003	oth	Siemens AG		1:1
2	5734	18.05.2003	oth			38878
				(Created by BOM number: A5B00900110552-8931)		netlist2



Alle Rechte vorbehalten
 Proprietary data, Company confidential.
 all rights reserved

Als Betriebsgeheimnis anvertraut
 alle Rechte vorbehalten

Confidential
 Copyright © Siemens AG

DATE	07.08.2002	DATE	18.05.2003
8	8931	01.10.2003	01.10.2003
7	7995	28.08.2003	28.08.2003
6	6574	21.08.2003	21.08.2003
5	6544	02.07.2003	02.07.2003
4	6354	13.06.2003	13.06.2003
3	6354	03.06.2003	03.06.2003
2	5124	18.05.2003	18.05.2003

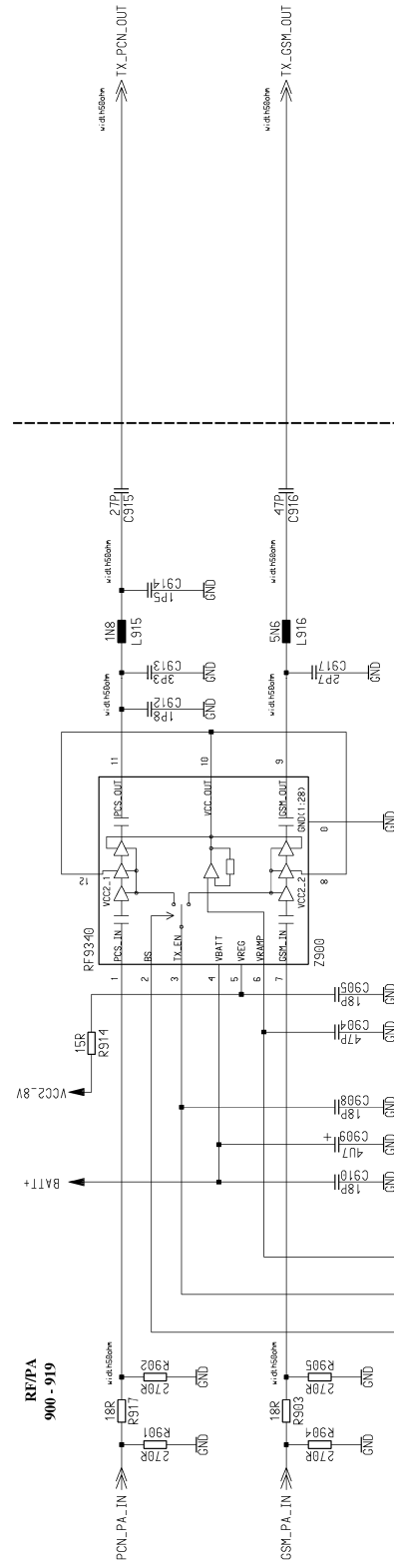
DATE: 07.08.2002
 USER: Brandenskov
 APP'D:
 MP: P03 RD ML7
 DATE: 18.05.2003
 NAME: Siemens AG
 38878
 SHEET 1
 (Created by BOM number: 4580890010852-8931)

RF/TX Oscillator
 890-899

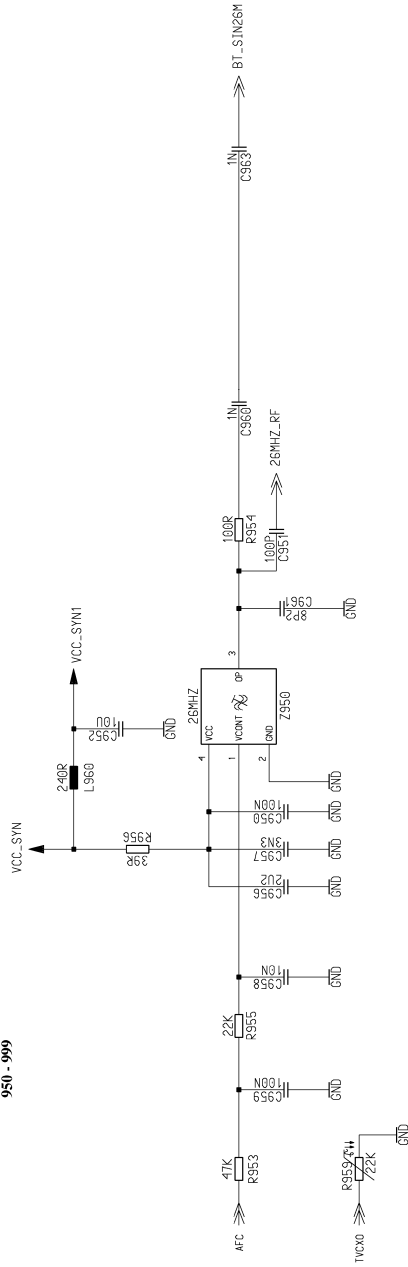
K1 B2-5 Main Board
 Assembly Variant
 TOP HIERARCHY LEVEL
 SCHEMATIC

Siemens AG
 38878

RF/Power_Control
920 - 949



RF/Crystal_Oscillator
950 - 999



Proprietary data, Company confidential.
all rights reserved

Alle Rechte vorbehalten
SAP-Ident: 38878 / BOM / 000 / 08 Created/Changed: BRAENDSKOV, 2003-10-01

Confidential
Copyright © Siemens AG

DATE	USER	APP'D	DATE	USER	APP'D
01.10.2003	kbr		07.08.2002	kbr	
28.08.2003	kbr		28.08.2003	kbr	
21.08.2003	kbr		02.07.2003	kbr	
02.07.2003	oth		13.06.2003	oth	
13.06.2003	oth		03.06.2003	oth	
03.06.2003	oth		18.05.2003	oth	
18.05.2003	oth				

VERS.	CHANGE NUMBER	NAME
1		Siemens AG
2		Siemens AG

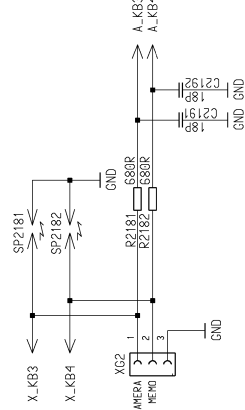
K1 B2-5 Main Board
Assembly Variant
TOP-HIERARCHY LEVEL
SCHEMATIC

38878

sheet2

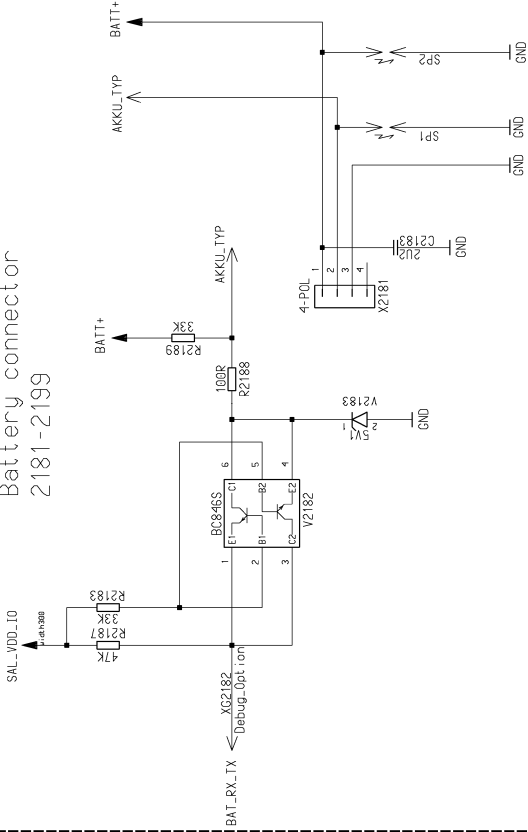
(Created by BOM number: A560090010852-8931)

Side keys
2181-2199

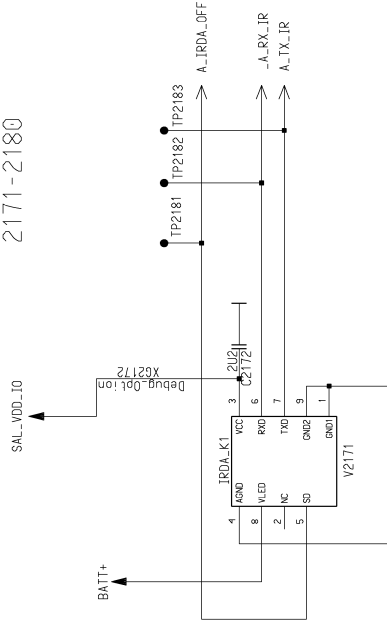


Resistors close to keys

Battery connector
2181-2199



IRDA
2171-2180



AUDIO
2100-2109

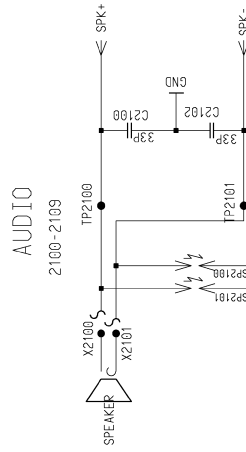
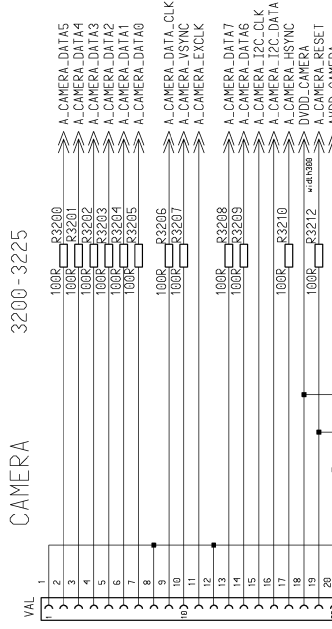


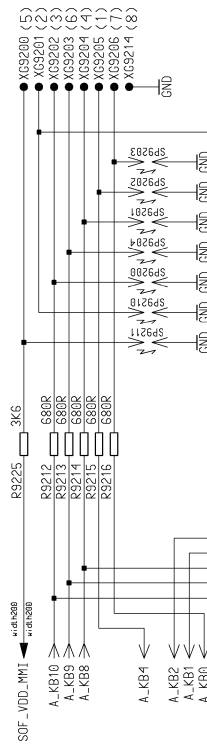
Photo transistor
1251-1300



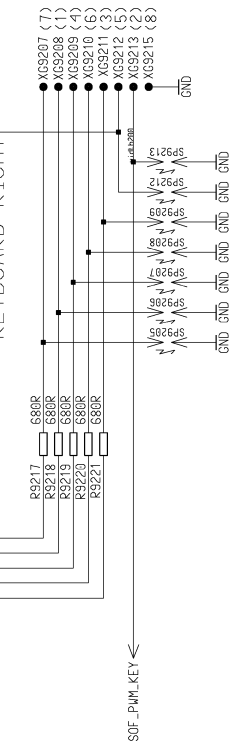
CAMERA
3200-3225



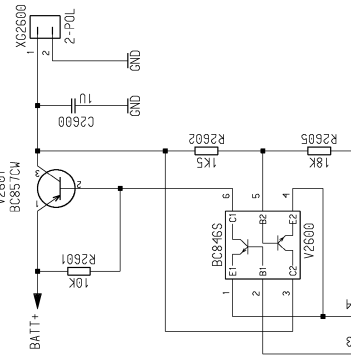
KEYBOARD LEFT



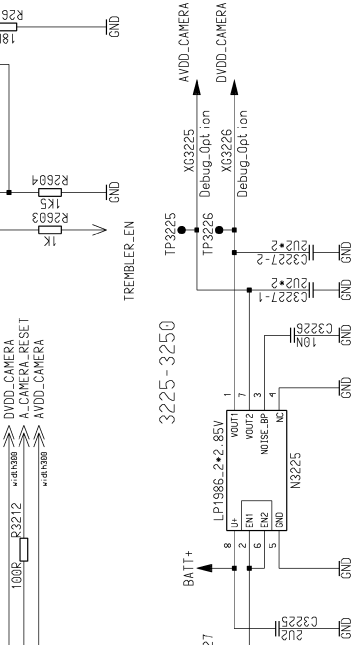
KEYBOARD RIGHT



VIBRATOR
2600-2630



KEYBOARD RIGHT
3225-3250

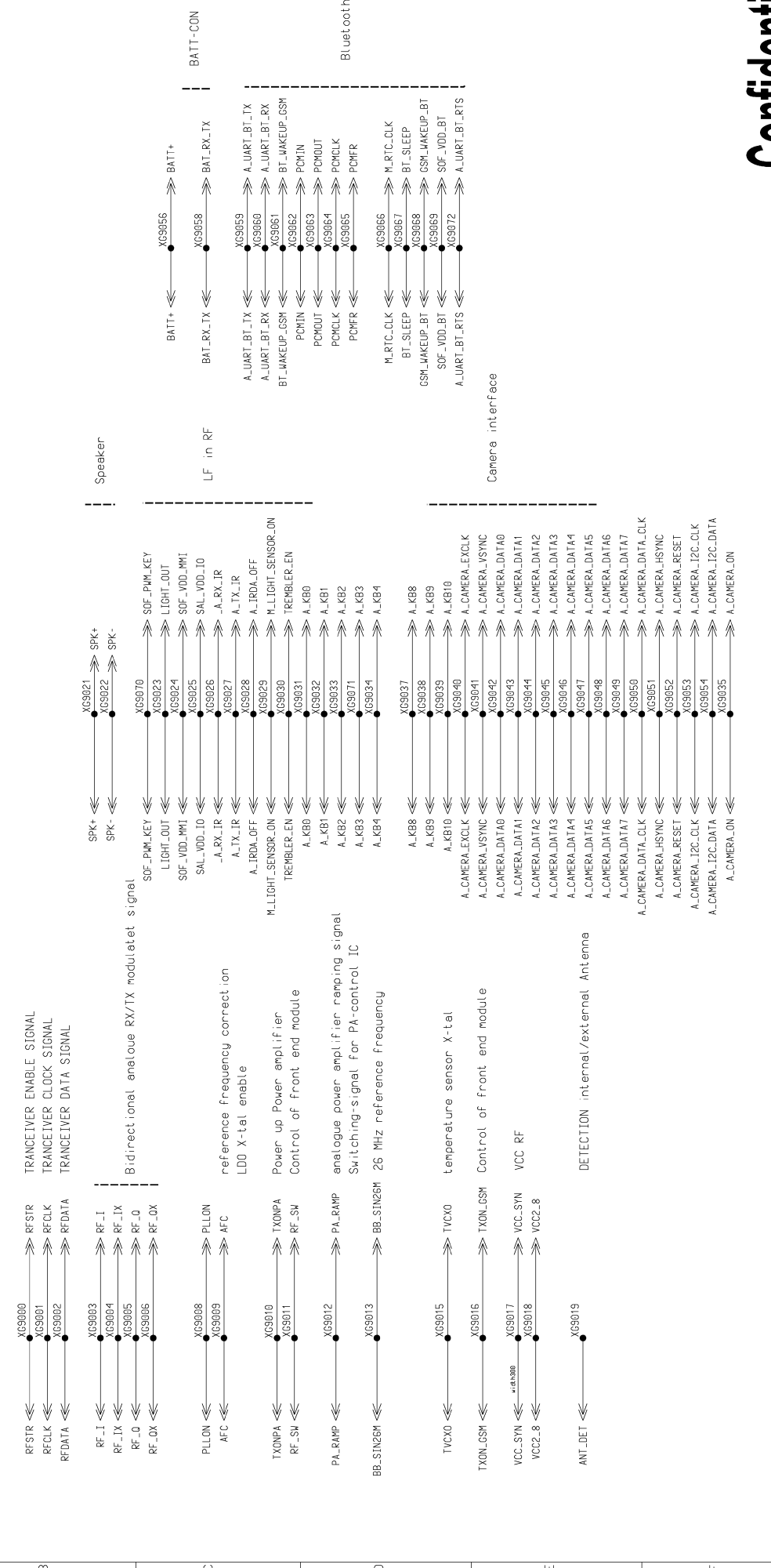


Confidential
Copyright © Siemens AG

DATE	USER	BRANDSKOV	DATE	USER	BRANDSKOV
01.10.2003	kbr	APP'D	07.08.2002	kbr	BRANDSKOV
28.08.2003	kbr	APP'D			
21.09.2003	kbr				
02.07.2003	gth				
03.05.2003	gth				
18.05.2003	gth				
18.05.2003	gth				

K1 B2-5 Main Board
Assembly Variant
TOP HIERARCHY LEVEL
SCHEMATIC
Siemens AG
38878
sheet 3

INTERFACE LOGIC/RF
3300-3399

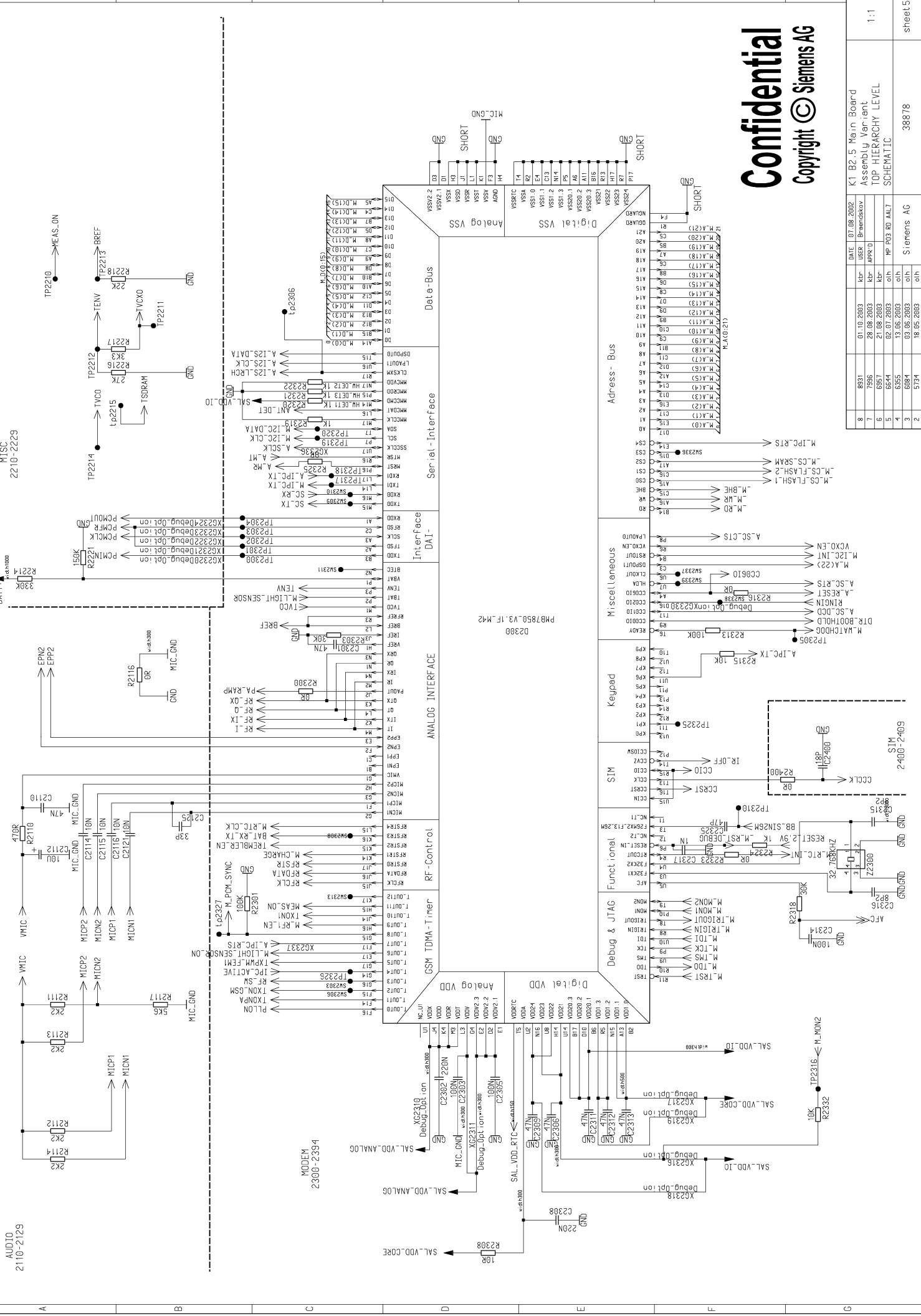


Confidential
Copyright © Siemens AG

DATE	USER	APP'D	DATE	USER	APP'D
01.10.2003	kbr		07.08.2002	Braendnskov	
28.08.2003	kbr				
21.08.2003	kbr				
02.07.2003	ckh				
13.06.2003	ckh				
03.05.2003	ckh				
18.05.2003	ckh				

VERS.	CHANGE NUMBER	DATE	NAME
1			
2			
3			
4			
5			
6			
7			
8			
9			
10			

K1 B2-5 Main Board
Assembly Variant
TOP HIERARCHY LEVEL
SCHEMATIC
Siemens AG
38878
sheet 4



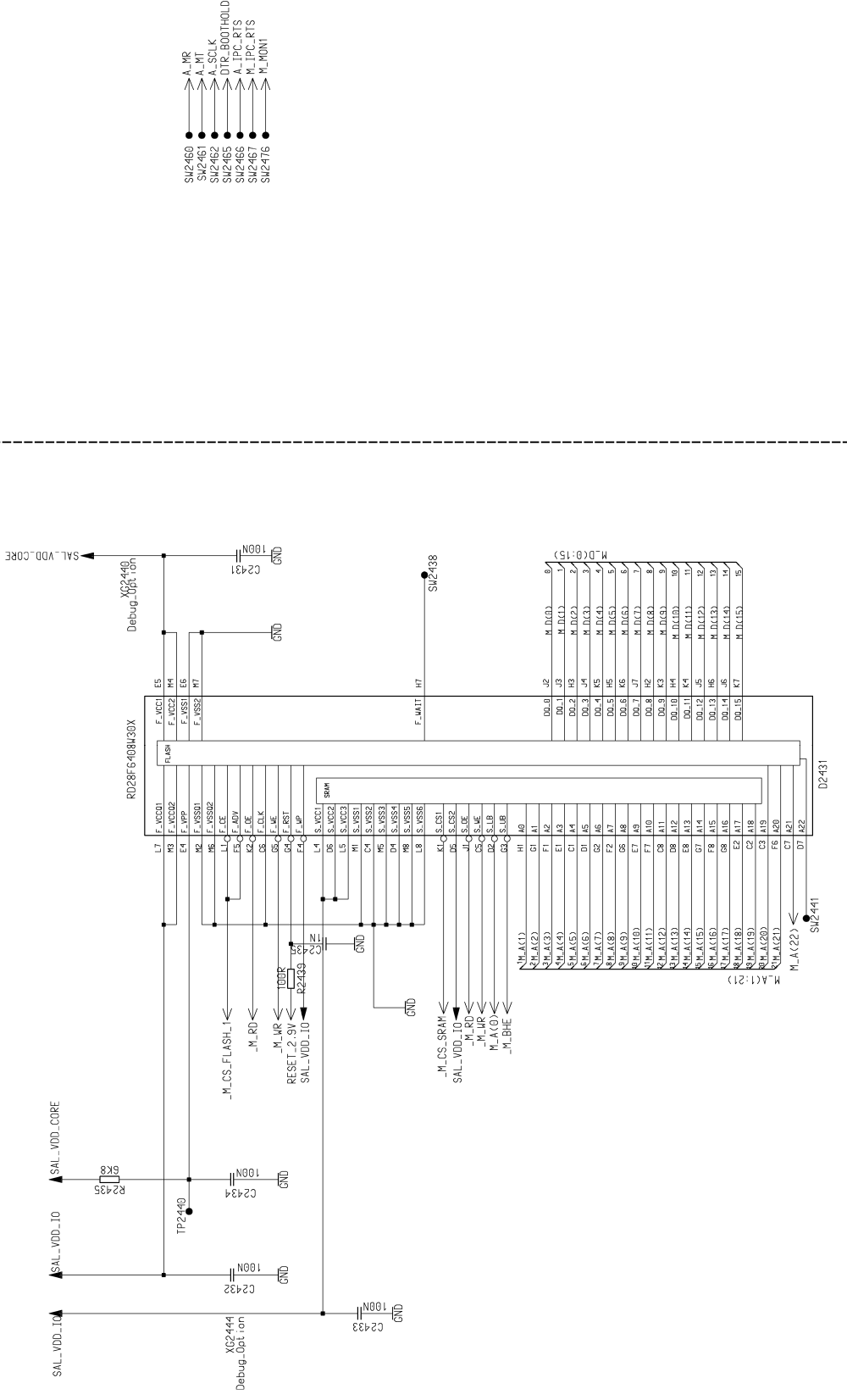
Proprietary data, Company confidential. alle Rechte vorbehalten

Confidential
Copyright © Siemens AG

DATE		07.08.2002		DATE	18.05.2003		NAME		DATE	
8	8931	01.10.2003	kbr	USER	Brandenskov				K1 B2-5 Main Board	
7	7956	28.08.2003	kbr	APP'D					Assembly Variant	
6	6957	21.08.2003	kbr	MIP	P03 RD ML7				TOP HIERARCHY LEVEL	
5	6544	02.07.2003	oth						SCHEMATIC	
4	6355	13.06.2003	oth						Siemens AG	
3	6054	03.06.2003	oth						38878	
2	5124	03.05.2003	oth						sheet5	
VERS. CHANGE NUMBER (Created by BOM number: A5808901/0952-8931)										

MODEM MEMORY
2431-2450

MODEM DEBUG POINTS
2451-2499



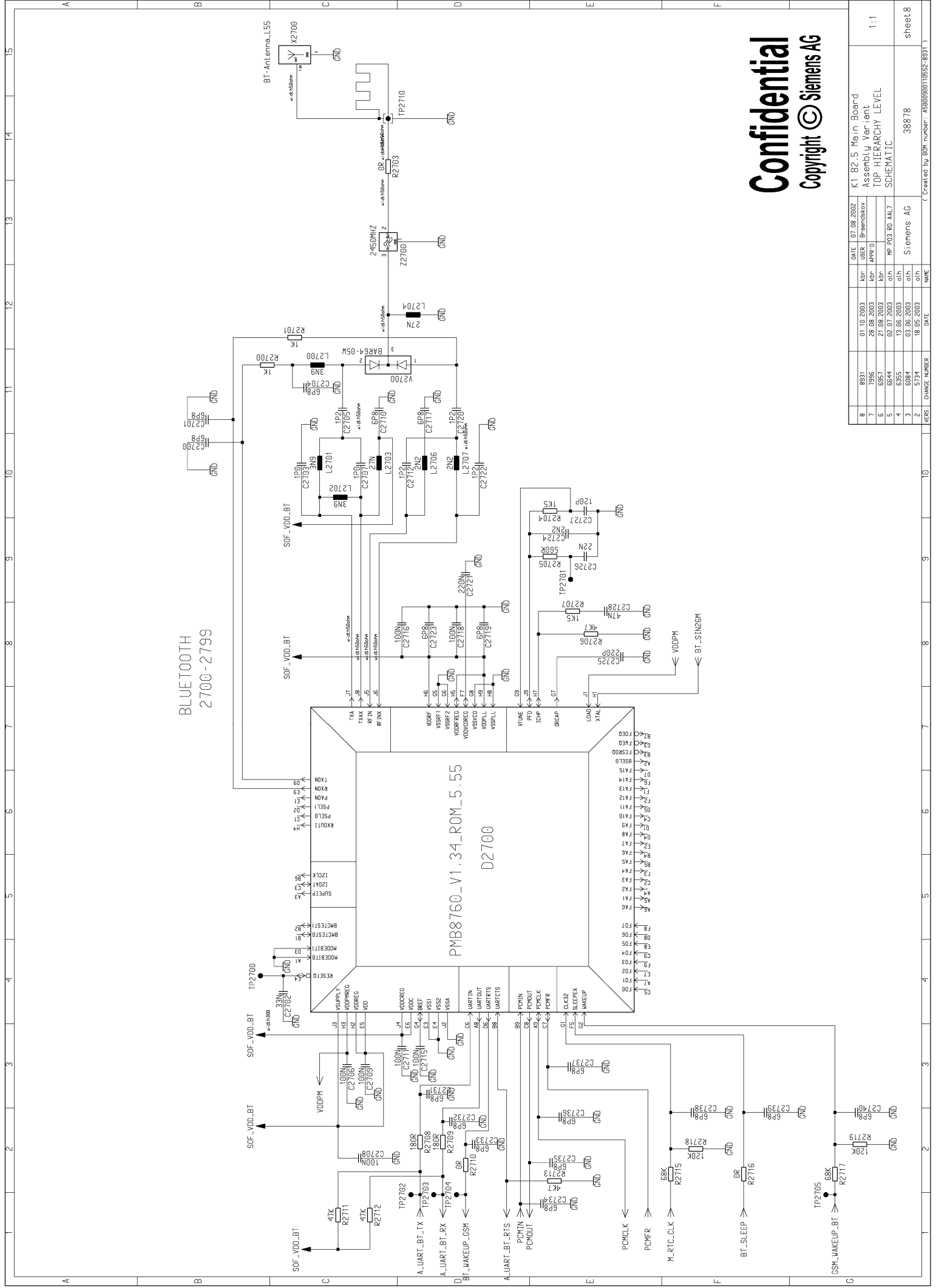
- SH2460 ● A_MR
- SH2461 ● A_MT
- SH2462 ● A_SCLK
- SH2465 ● DIR_B00THOLD
- SH2466 ● A_IPC_RTS
- SH2467 ● M_IPC_RTS
- SH2476 ● M_MONI

Confidential
Copyright © Siemens AG

VERS.	CHANGE NUMBER	DATE	UHR	NAME
8	8931	01.10.2003	kbr	Braendskov
7	7995	28.08.2003	kbr	APP'D
6	6957	21.08.2003	kbr	APP'D
5	6544	02.07.2003	oth	MF P03 RD AML7
4	6355	13.06.2003	oth	
3	6054	03.06.2003	oth	
2	5124	18.05.2003	oth	

DATE	UHR	NAME
07.08.2002		

DATE	UHR	NAME
07.08.2002		



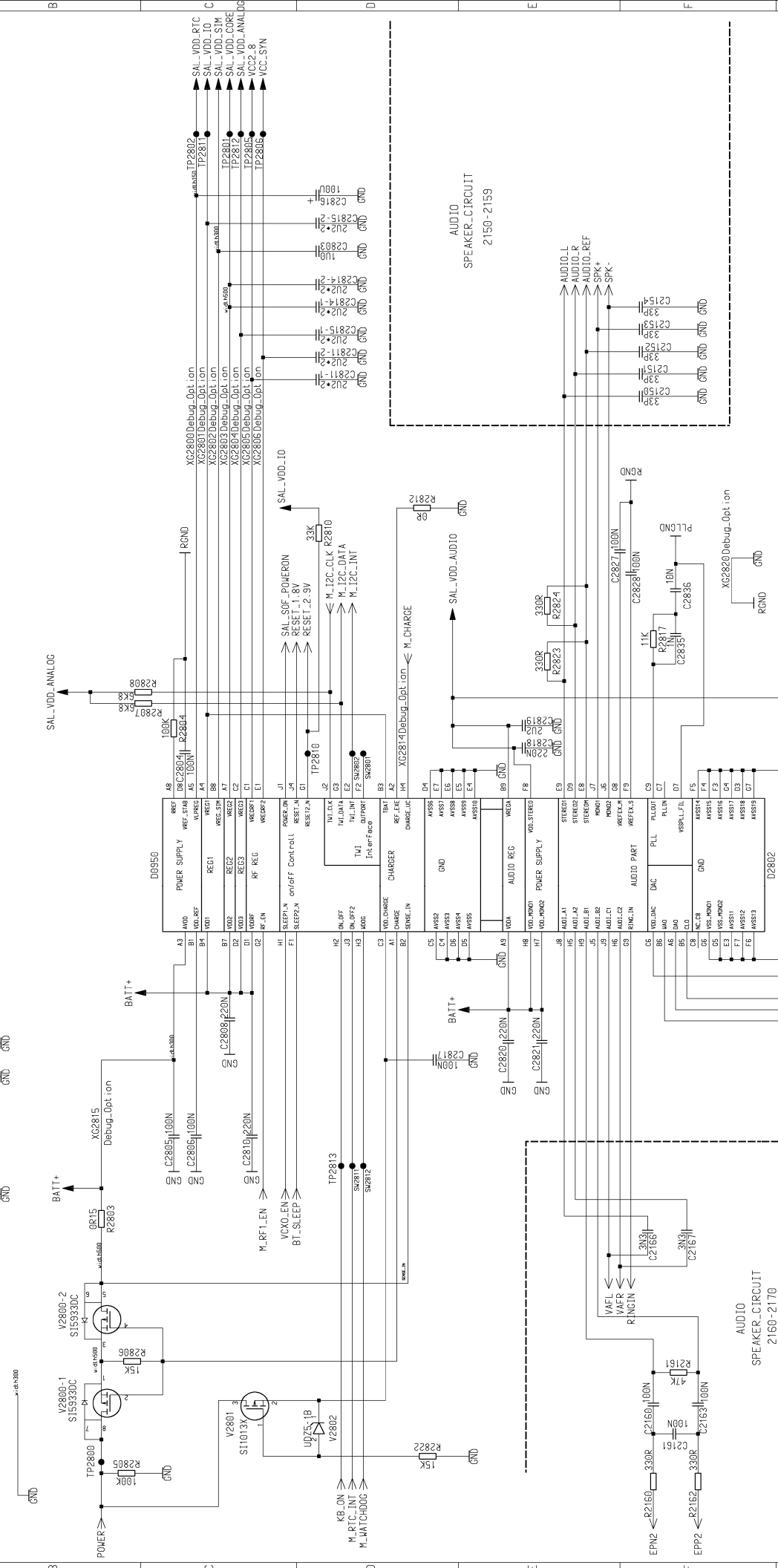
Confidential
 Copyright © Siemens AG

DATE	USER	APP'D	DATE	USER	APP'D
01.10.2003	8931		07.08.2002	K1 B2-5 Main Board	
28.08.2003	7956			Assembly Variant	
02.07.2003	6957			TOP HIERARCHY LEVEL	1:1
13.06.2003	6544			SCHEMATIC	
03.06.2003	6355			Siemens AG	38878
18.05.2003	5124			Siemens AG	sheet 8
					(Created by BOM number: A58089010852-8931)

VCC2_8
VCC2_5V
VCC2_S0V
SAL_VDD_IO
SAL_VDD_CORE
SAL_VDD_ANALOG
SAL_VDD_AUDIO
BATT+
SPK+
SPK-
GND

BATT+
BATT+
BATT+
GND

SALZBURG
BASEBAND_POWERSUPPLY
2800-2859



Confidential
Copyright © Siemens AG

AUDIO
SPEAKER-CIRCUIT
2160-2170

AUDIO
SPEAKER-CIRCUIT
2150-2159

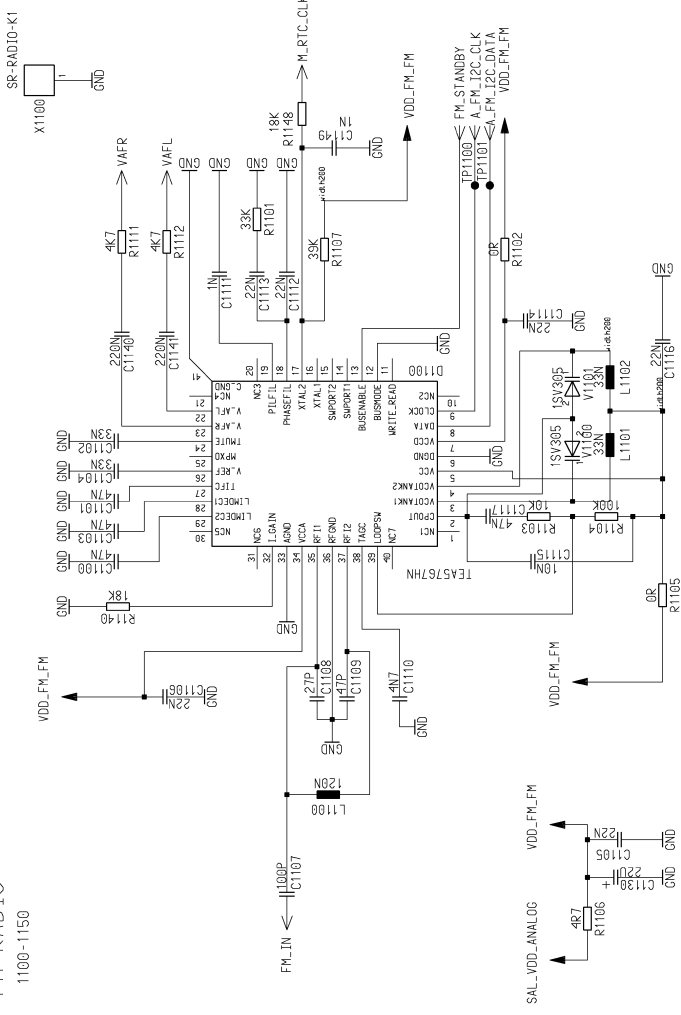
DATE	BY	CHKD	APP'D	NAME
01.10.2003	kbr			
28.08.2003	kbr			
21.08.2003	kbr			
02.07.2003	gh			
13.05.2003	gh			
03.05.2003	gh			
18.05.2003	gh			

VERS. CHANGE NUMBER

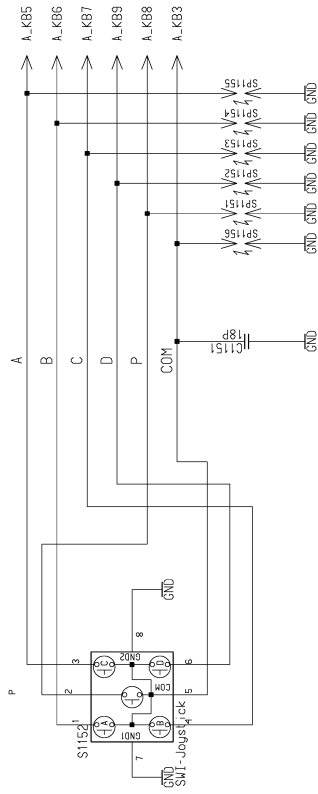
DATE	BY	CHKD	APP'D	NAME
07.08.2002	gh			
07.08.2002	gh			
07.08.2002	gh			
07.08.2002	gh			
07.08.2002	gh			

K1 B2-5 Main Board
Assembly Variant
TOP HIERARCHY LEVEL
SCHEMATIC
Siemens AG
38878
sheet 9
1:1
(Created by BOM number: A580090010852-8937)

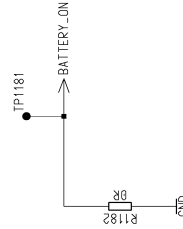
FM-RADIO
1100-1150



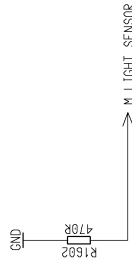
NAVI KEY
1151-1180



DEFECT SWITCH
1181-1199



LIGHT SENSOR
1600-1650

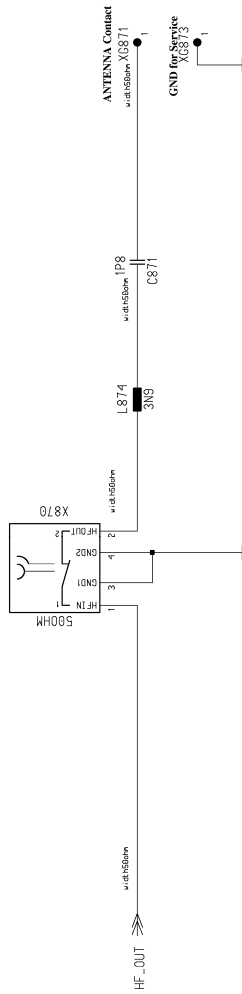


Confidential
Copyright © Siemens AG

DATE	USER	APP'D	DATE	USER	APP'D
01.10.2003	klr		07.08.2002	Braendskov	
28.08.2003	klr				
21.08.2003	klr				
02.07.2003	clh				
13.06.2003	clh				
03.06.2003	clh				
18.05.2003	clh				

K1 B2-5 Main Board
Assembly Variant
TOP HIERARCHY LEVEL
SCHEMATIC
Siemens AG
38878
sheet 10
(Created by BOM number: A58089010852-8931)

RF/Antenna_Circuit
 870 - 877



Confidential
 Copyright © Siemens AG

VERS.	CHANGE NUMBER	DATE	NAME
8	8931	01.10.2003	kbr
7	7995	28.08.2003	kbr
6	6957	21.08.2003	kbr
5	6544	02.07.2003	oth
4	6355	13.06.2003	oth
3	6054	03.06.2003	oth
2	5124	18.05.2003	oth

DATE	USER	APP'D	NAME
07.08.2002	Braendskov		

K1 B2-5 Main Board
 Assembly Variant
 TOP HIERARCHY LEVEL
 SCHEMATIC
 38878
 Siemens AG
 (Created by BOM number: A5B009010852-8931)

