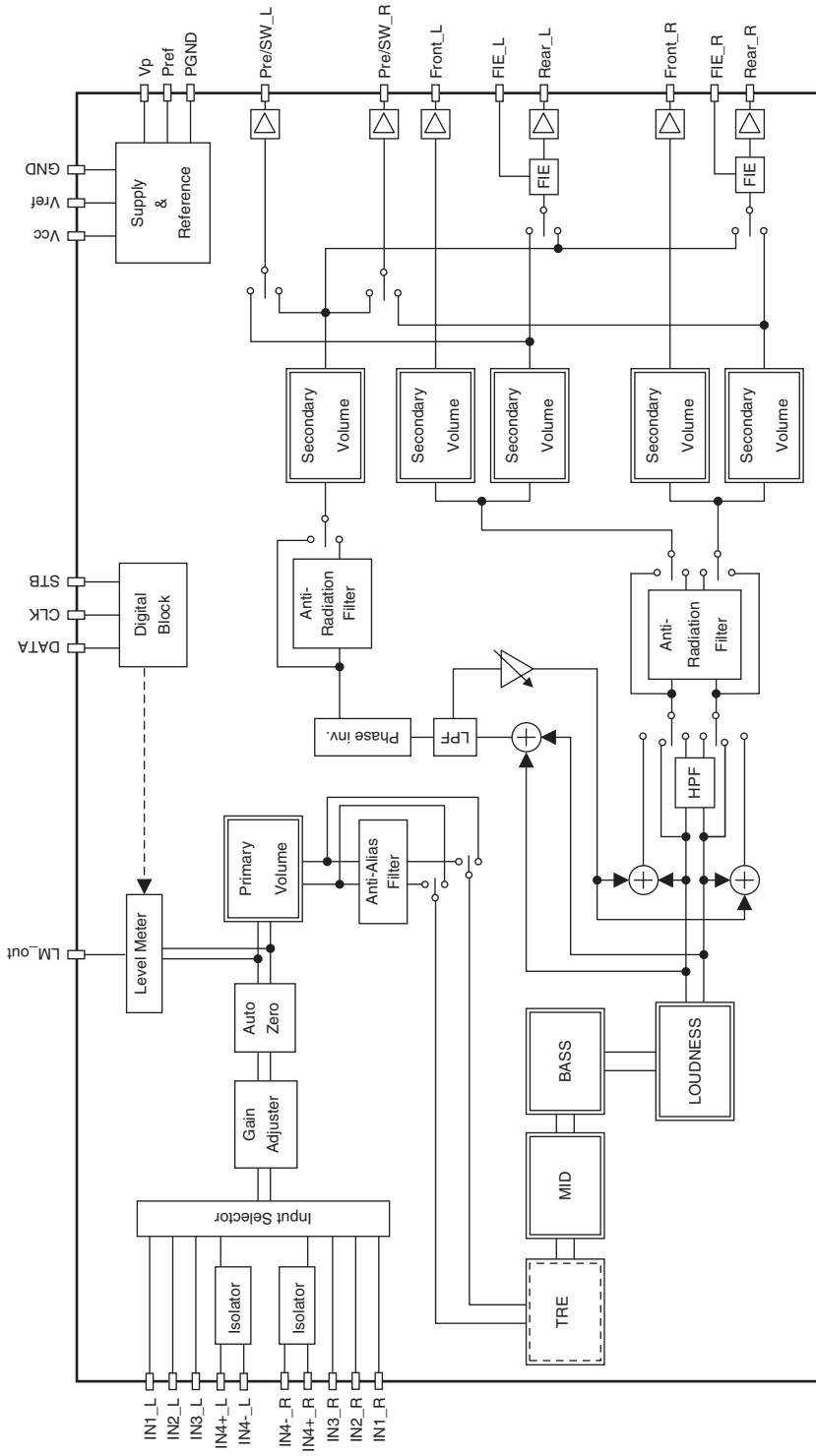
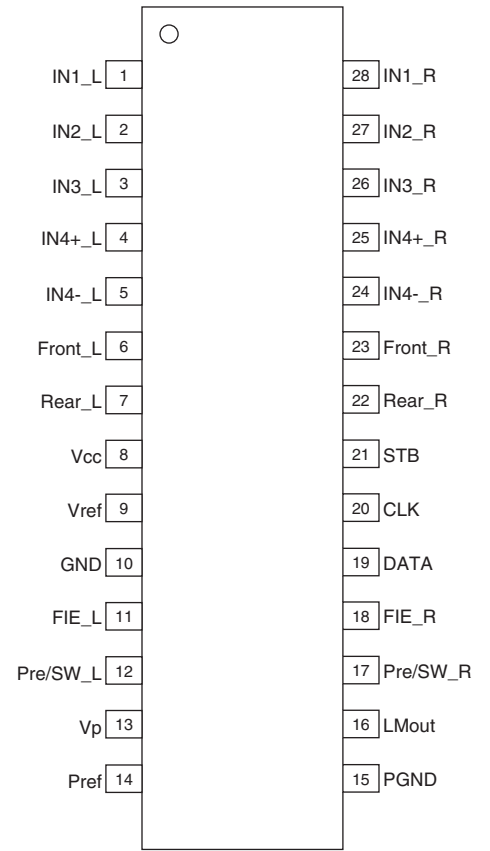


PML015A
Block Diagram



Pin Layout



Soft step Blocks (M.S.)