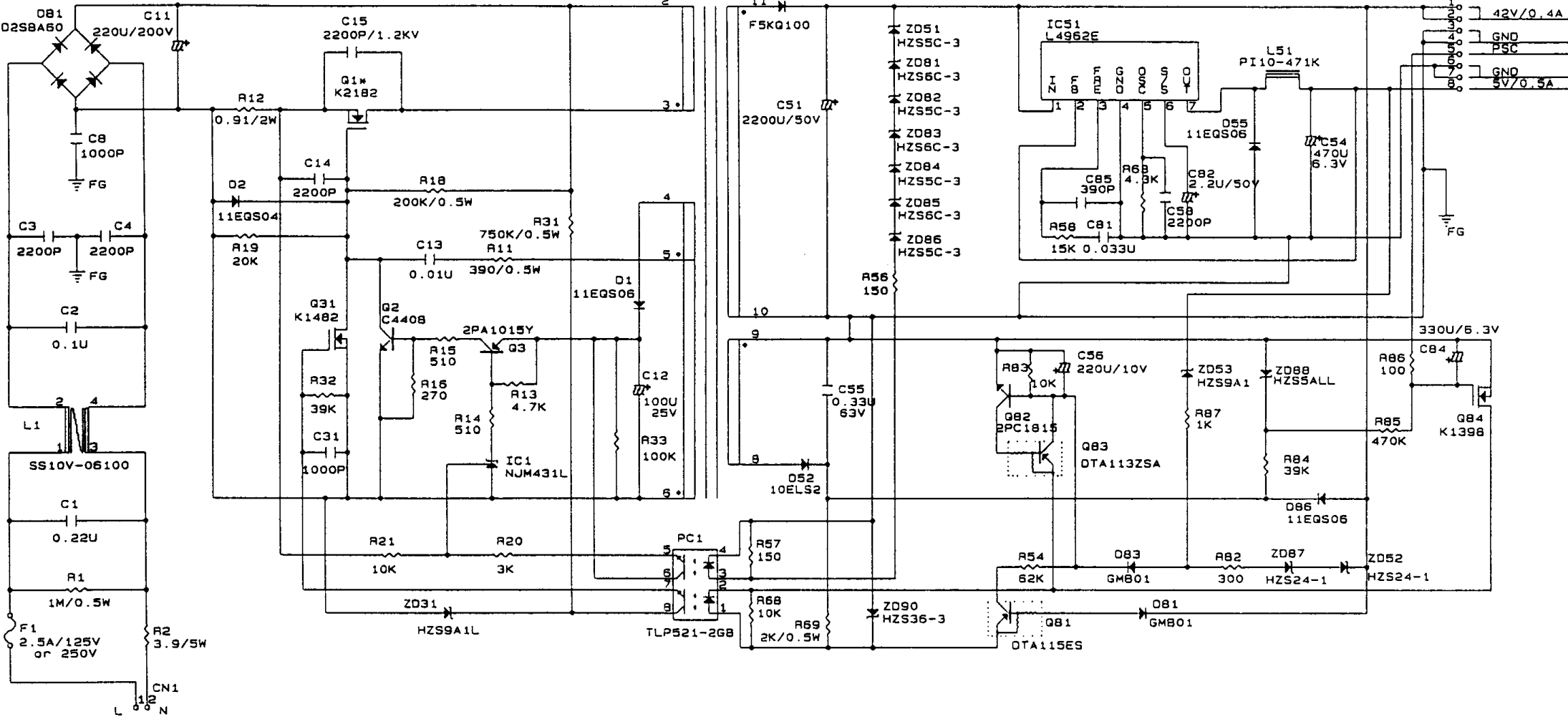


T1 PT-63

D51

CN2



100-120VAC

1 42V/0.4A
 2 GND
 3 P5C
 4 GND
 5 5V/0.5A
 6
 7
 8

330U/6.3V