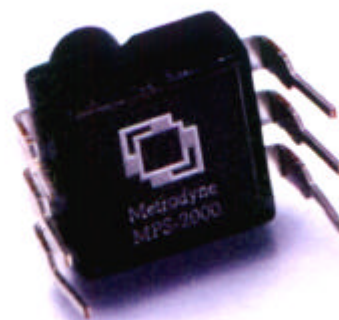


MPS-2000 DIP Pressure Sensor

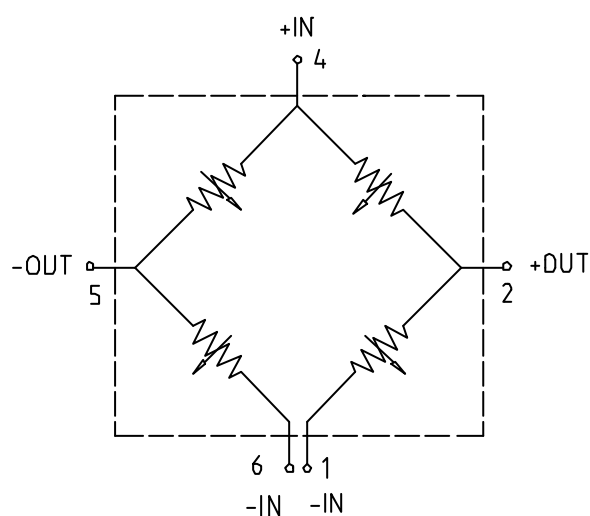
DESCRIPTION

The MPS-2000 features silicon pressure sensors in 6-pin dual in-line packages. All parts in these series are uncompensated high-performance die mounted on a substrate with a plastic cap. Pins are designed for through-board assembly. The MPS-2000 is ideal for applications requiring low hysteresis, high reliability and stability.

With constant voltage excitation, the MPS-2000 produces a voltage output that is linearly proportional to the input pressure. The user can provide MPS-2000 with signal conditioning circuitry to amplify the output signal or to maximize OEM value added. The MPS-2000 is compatible with most noncorrosive gases and dry air.



SCHEMATIC DIAGRAM



FEATURES

- Competitive price dual in-line package
- Wide operating temperature range:- 40 to +85°C
- Solid-state reliability
- Easy to Use
- Easily Embedded in OEM Equipment

APPLICATIONS

- Blood Pressure Meter
- Digital Pressure Gauges
- Environmental Monitoring
- Consumer & Sports
- Medical Instrumentation & Monitoring
- Disposable Blood Pressure

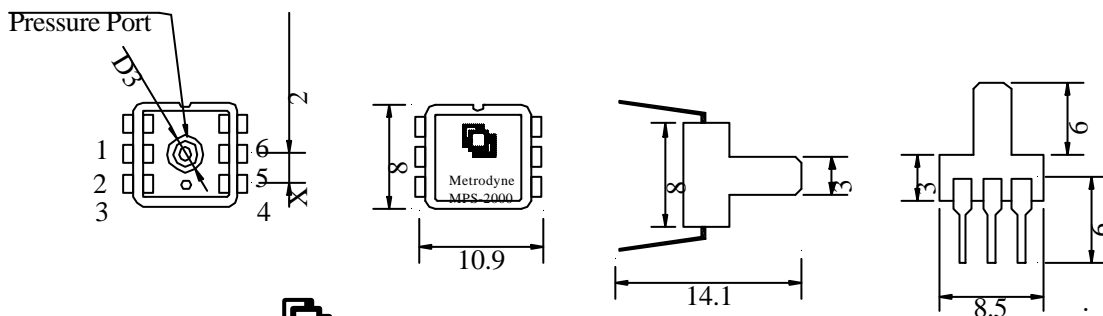
HOW TO ORDER

Part Number:	Description:
MPS-2000	5.8 psig, DIP

MPS-2000 Specifications

Parameter	Value	Units	Notes
General			
Pressure Range	5.8	PSIG	40 KPaG
Maximum Overpressure	3X		rated pressure
Electrical @25°C (77°F) unless otherwise specified			
Excitation	5	VDC	
Input Impedance	4~6	kΩ	
Output Impedance	4~6	kΩ	
Environmental			
Operating Temperature Range	-40~+85	°C	-40°F ~+185°F
Storage Temperature Range	-40~+125	°C	-40°F ~+257°F
Mechanical			
Weight	0.62	grams	
Media Compatibility	Clean, dry air & noncorrosive gases		
PERFORMANCE⁽¹⁾			
Zero Offset	±20	mV	
Span	50~100	mV	
Bridge Resistance	4~6	kΩ	
Linearity	±0.2	% Span	2
Hysteresis	±0.2	% Span	
Temperature Coefficient of Zero Offset	±0.08	% Span/°C	3
Temperature Coefficient of Span	-0.21	%Span/ °C	3
Notes: 1. All values are Minimum/Maximum and are measured at 5 VDC and 25°C unless otherwise specified. 2. Best fit straight line. 3. Between 0°C and 40°C. Temperature coefficients are typical values.			

PACKAGE DIAGRAM



METRODYNE MICROSYSTEM CORP.

10, Prosperity Rd. , Science-Based Industrial Park, Hsin-Chu 300, Taiwan, R.O.C.

Tel : 886-3-5632161 Fax : 886-3-5632509 E-mail: sales@metrodyne.com.tw URL : <http://www.metrodyne.com.tw>