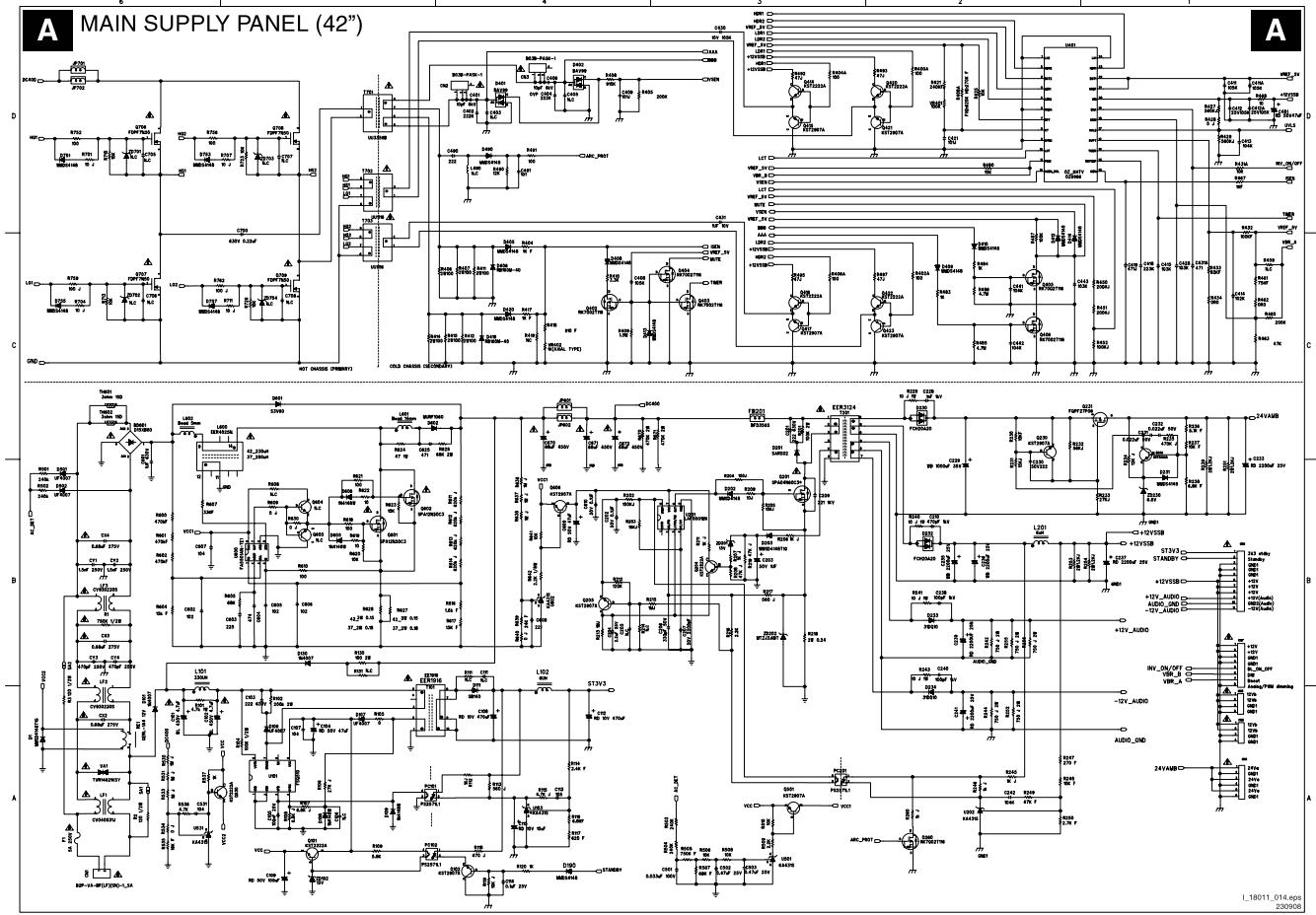
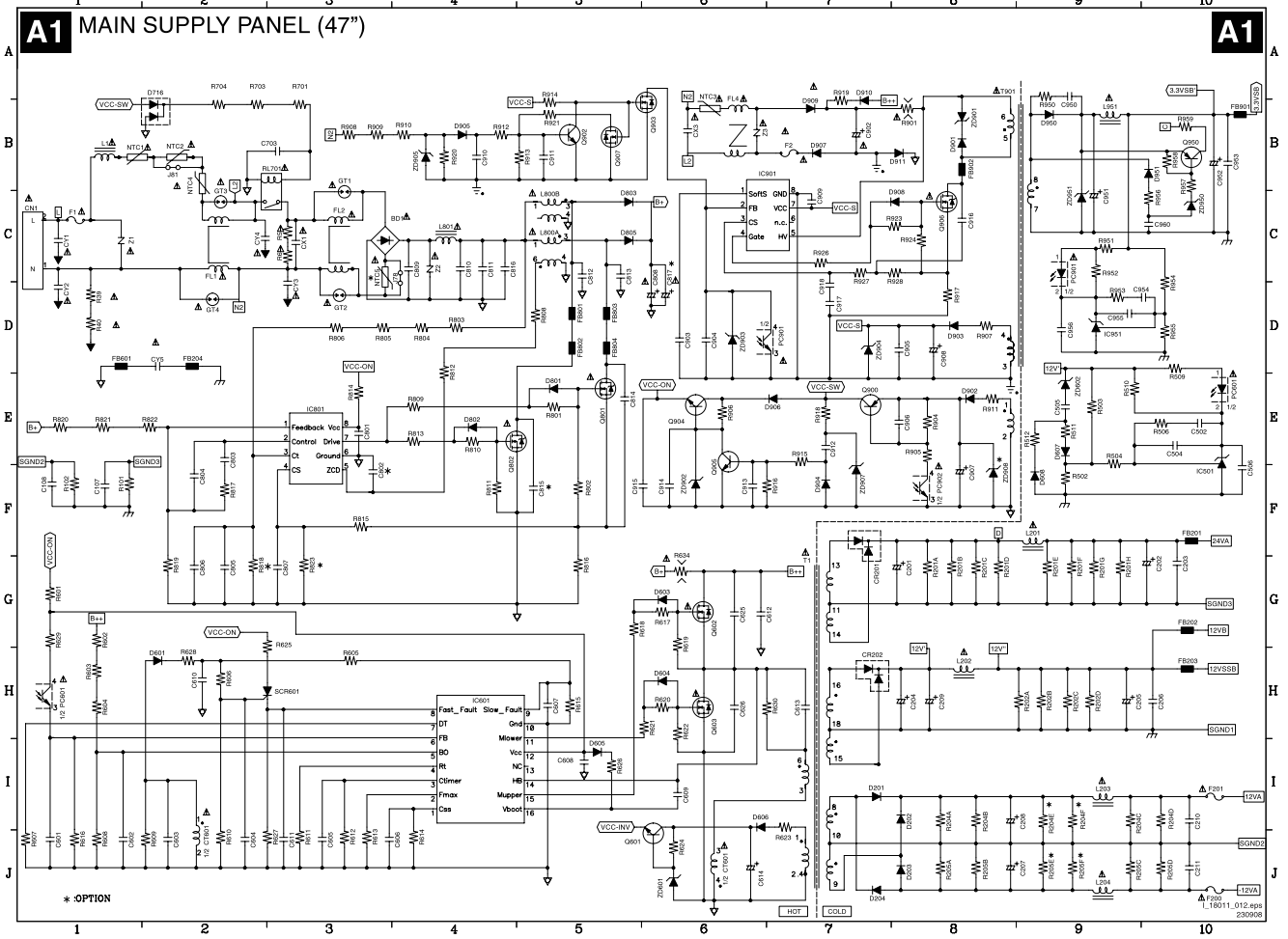


7. Circuit Diagrams and PWB Layouts

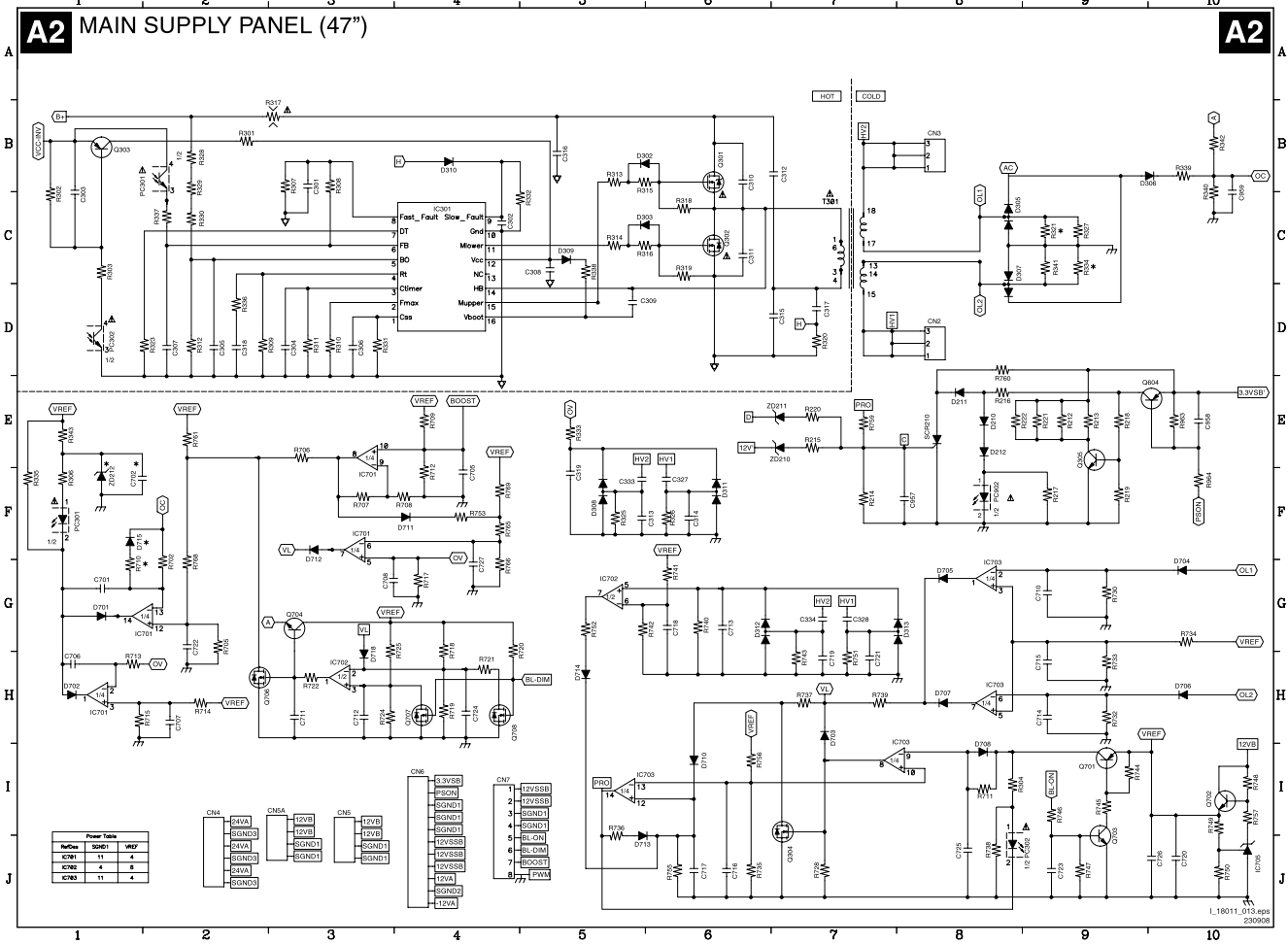
Main Supply Panel (42")



Main Supply Panel (47") (Part 1)



Main Supply Panel (47") (Part 2)



L18011_013.sps
230908