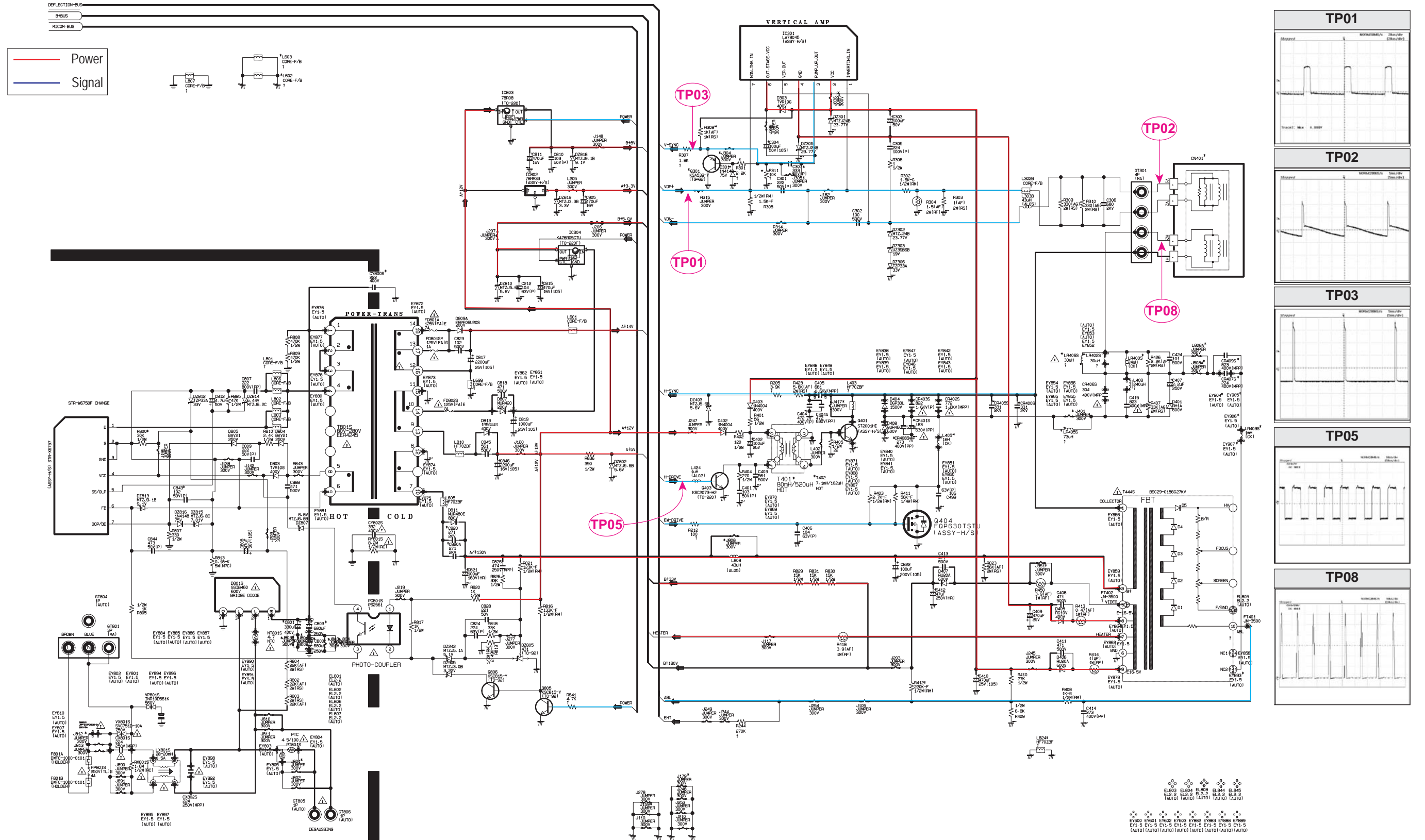


10. Schematic Diagram

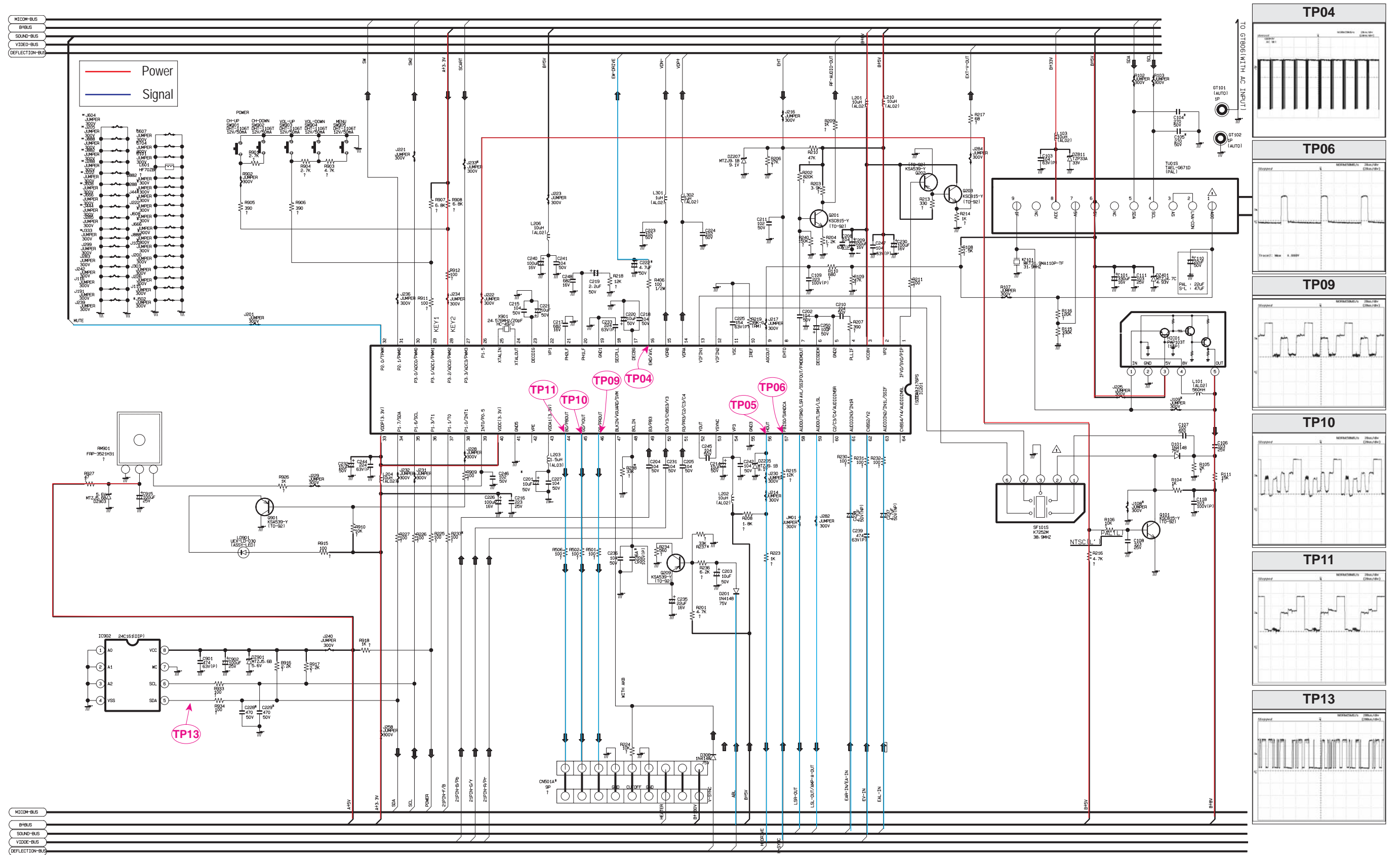
10-1 Power

This Document can not be used without Samsung's authorization.



10-2 Main

This Document can not be used without Samsung's authorization.



10-4 Sound

This Document can not be used without Samsung's authorization.

